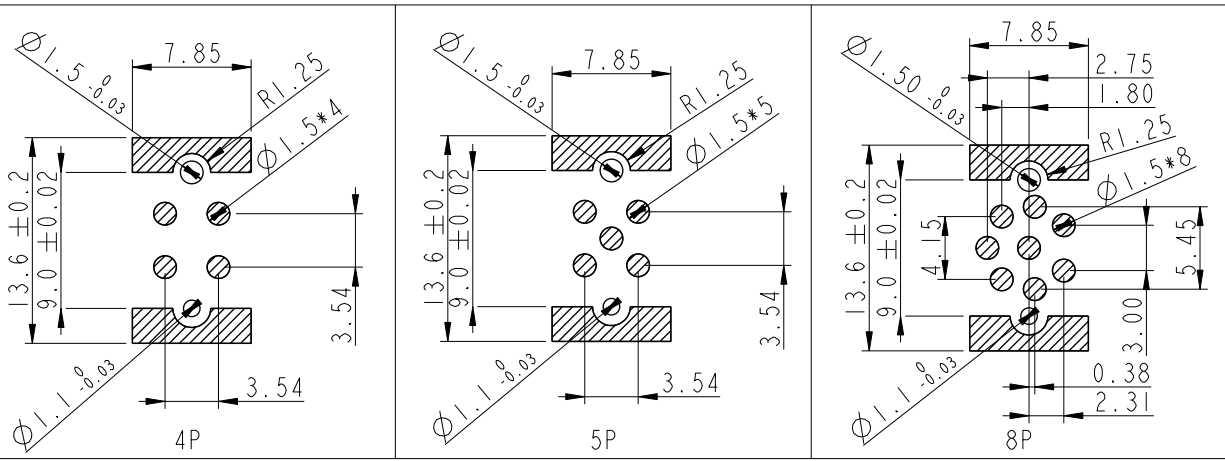
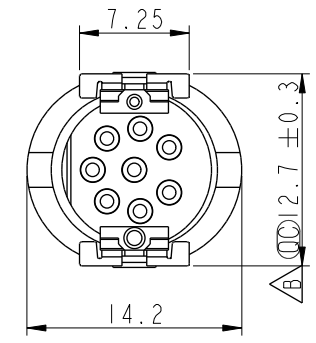
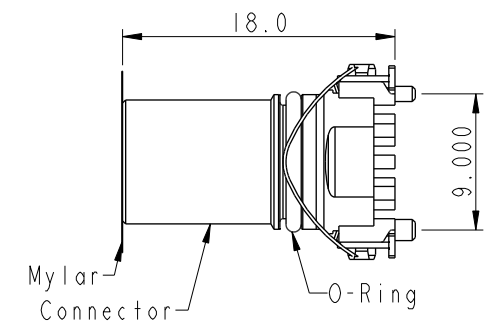
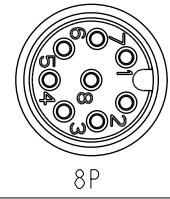
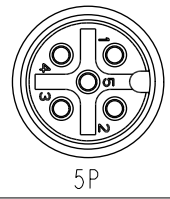
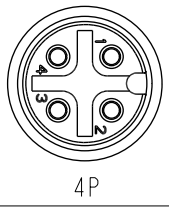


REV.	ECN NO.	DATE	SIGN	DESCRIPTION
A		2020-06-17	Allen Pan	Rev.02 To Rev.A
B	C210309	2021-03-10	Ruru	$\triangle B$ X6

$\triangle B$   
MSAS-XXPFFT-EE0001  
XX: No. Of Pin



PCB Layout



Pin Assignment Front View

- $\triangle B$ Note:
- \* RoHS Compliant
  - \*  $\text{\textcircled{C}}$  Important dimension
  - \* Waterproof rate: Non-Waterproof
  - \* Connector
  - Housing: Thermoplastic, Black
  - Pin: Copper Alloy, Gold Plated
  - \* O-Ring: Rubber, Black
  - \* Mylar: PI, Amber

UNIT: mm		
TOLERANCE	.X ±0.25	
.XX ±0.1		
.XXX ±0.05		
ANGLES	±1°	

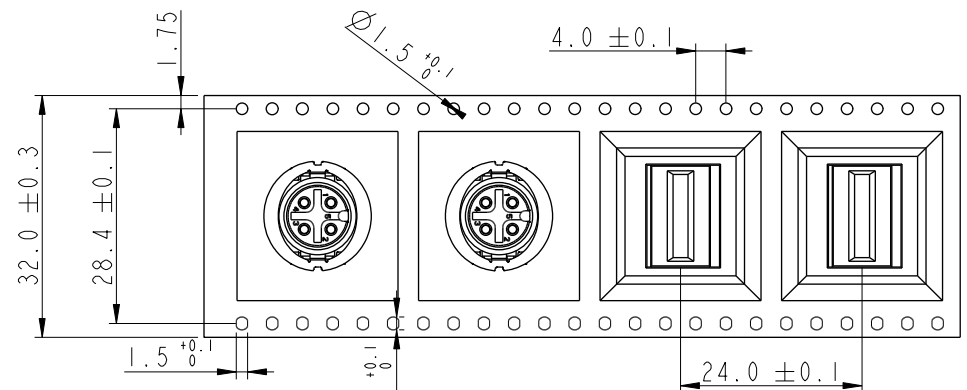
TITLE N SEN, M12 A -SHLD, NONE RECEPTACLE, F, F, PCB SMT $\triangle B$		
SCALE 2:1	SIZE A4	SHEET 1 OF 3
REV. B	WC-REV. A.1	$\text{\textcircled{C}}$ : Inspection item

**Amphenol LTW**  
安費諾亮泰企業股份有限公司

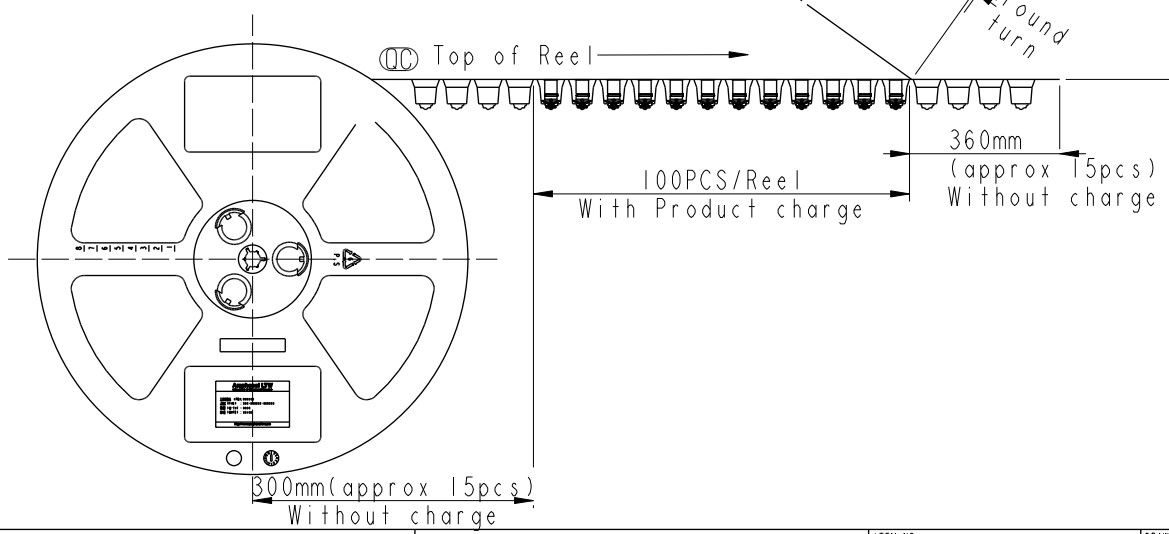
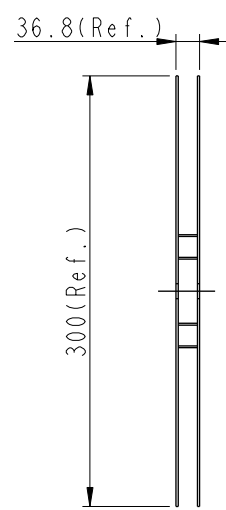
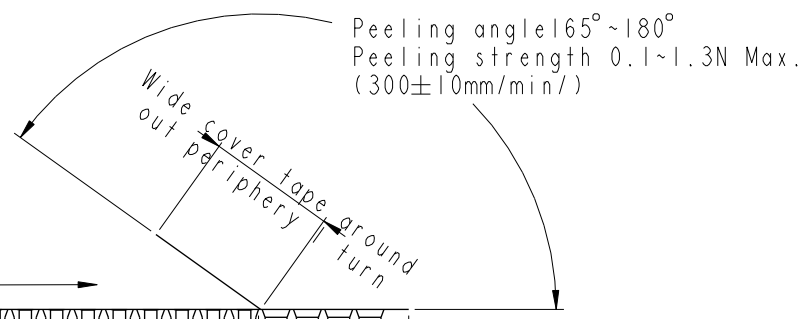
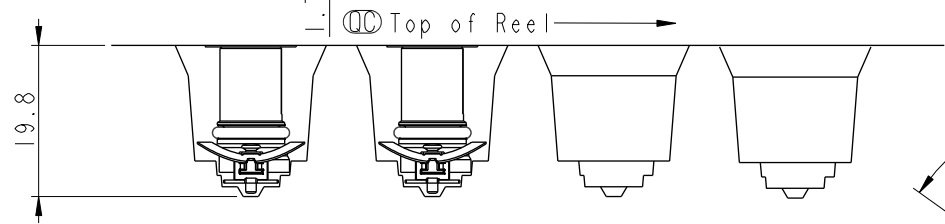
ITEM NO.	DRAWN BY Allen Pan	DATE 2020-06-17
DWG NO. MSAS-XXPFFT-EE0001	CHECKED BY Sam Ho	DATE 2020-06-17
CUSTOMER ALTW	APPROVED BY Fred Lee	DATE 2020-06-17

THIS DOCUMENT IS SUBJECT TO CHANGE WITHOUT NOTICE. IT IS CONFIDENTIAL AND A PROPERTY OF Amphenol LTW. DISCLOSURE TO THIRD PARTY HAS TO BE AUTHORIZED BY Amphenol LTW.

THIS DOCUMENT IS SUBJECT TO CHANGE WITHOUT NOTICE. IT IS CONFIDENTIAL AND A PROPERTY OF Amphenol LTW. DISCLOSURE TO THIRD PARTY HAS TO BE AUTHORIZED BY Amphenol LTW.



NOTE:  
 \* Connector Orient follow Drawing



UNIT: mm		
TOLERANCE	.X ±0.25	
	.XX ±0.1	
	.XXX ±0.05	
ANGLES	±1°	

TITLE N SEN, M12 A -SHLD, NONE RECEPTACLE, F, F, PCB SMT			
SCALE	FREE	SIZE	A4
		SHEET	2 OF 3
REV.	B	WC-REV.	A.1

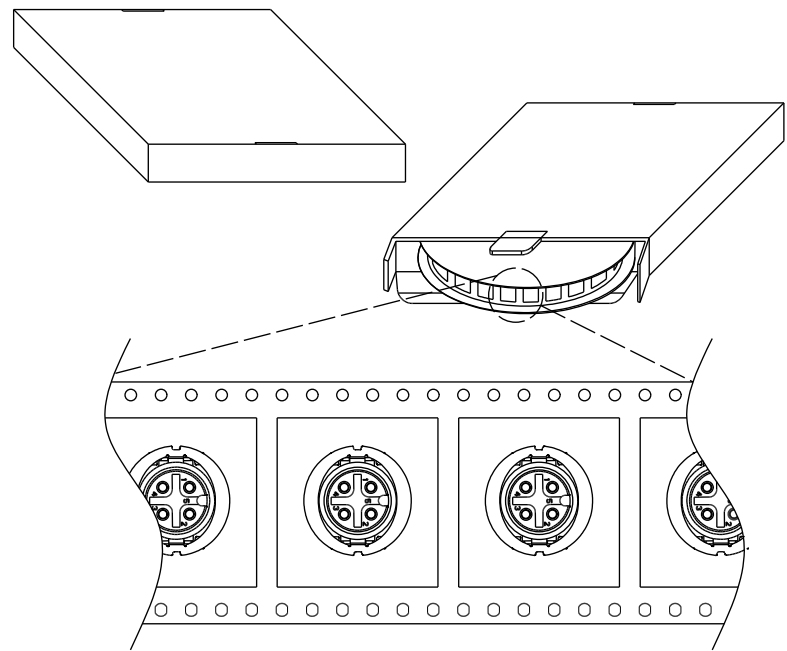
**Amphenol LTW**  
 安費諾亮泰企業股份有限公司

ITEM NO	DWG NO
MSAS-XXPFFT-EE0001	
CUSTOMER	ALTW

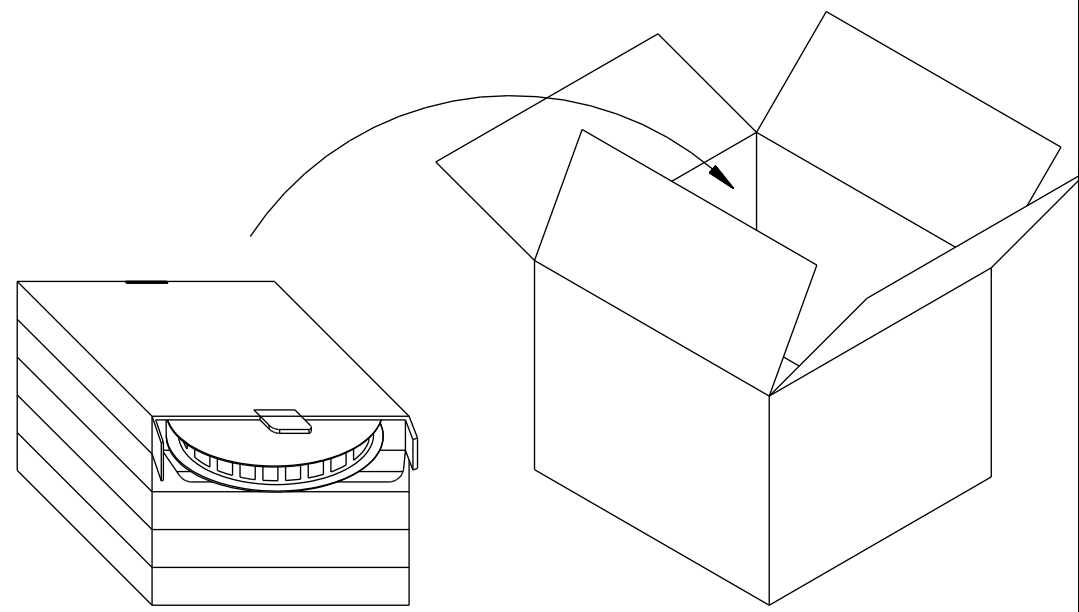
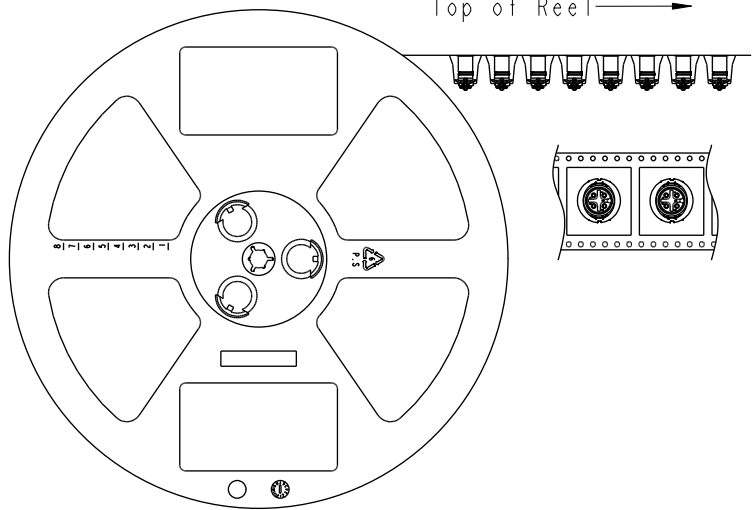
DRAWN BY	CHECKED BY
Allen Pan	Sam Ho
APPROVED BY	
Fred Lee	

DATE	DATE	DATE
2020-06-17	2020-06-17	2020-06-17

THIS DOCUMENT IS SUBJECT TO CHANGE WITHOUT NOTICE. IT IS CONFIDENTIAL AND A PROPERTY OF AMPHENOL LTW. DISCLOSURE TO THIRD PARTY HAS TO BE AUTHORIZED BY AMPHENOL LTW.



Top of Reel →



Note:  
 100 PCS(Connector)/Tape&Reel Put in a Box  
 5PCS(Max.) Box Put in a Carton

UNIT: mm		
TOLERANCE	.X ±0.25	
	.XX ±0.1	
	.XXX ±0.05	
ANGLES	±1°	

TITLE N SEN, M12 A -SHLD, NONE RECEPTACLE, F, F, PCB SMT			
SCALE	FREE	SIZE	A4
SHEET	3	OF	3
REV.	B	WC-REV.	A.1
Inspection item			

**Amphenol LTW**  
 安費諾亮泰企業股份有限公司

ITEM NO	DRAWN BY
DWG NO	CHECKED BY
CUSTOMER	APPROVED BY

Allen Pan	DATE
Sam Ho	DATE
Fred Lee	DATE

2020-06-17	DATE
2020-06-17	DATE
2020-06-17	DATE