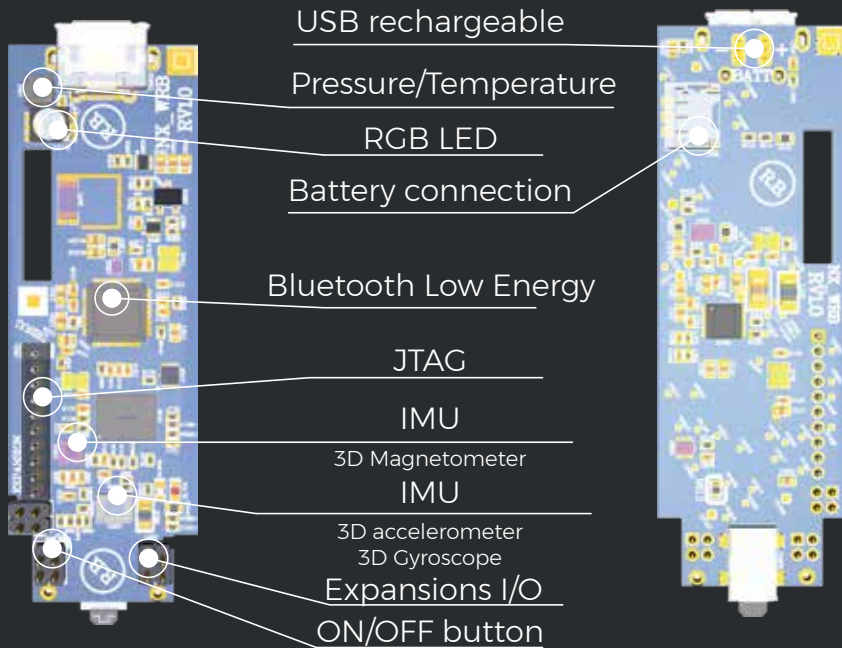
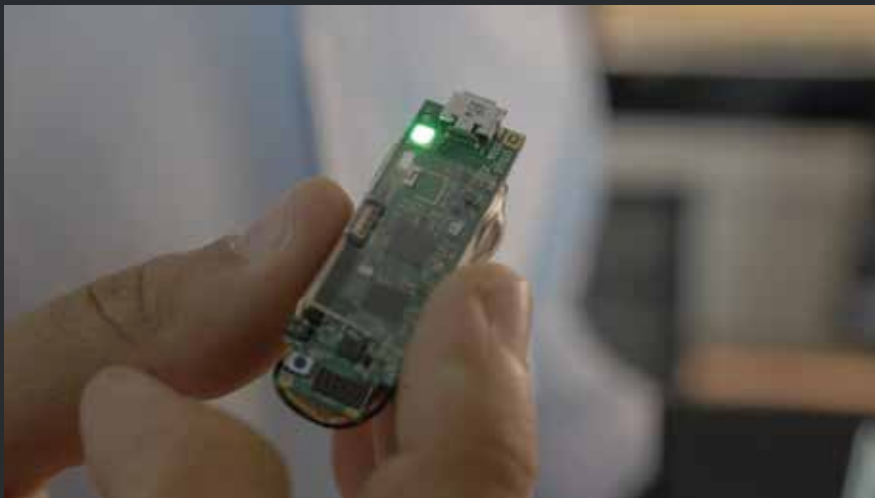


## PRODUCT OVERVIEW



**SMALL SIZE**



# THE TACTIGON™

WEARABLE ARDUINO WIRELESS WITH MOTION SENSOR

## TECHNICAL DETAILS

Data Memory	16 Kb EEPROM + 80 Kb RAM
Code Memory	512Kb Flash
Battery	Li-Ion Rechargeable
IMU	3 axis Accelerometer 3 axis Gyroscope 3 axis Magnetometer
Sensors	Temperature Pressure
Connectivity	Bluetooth Low Energy Micro USB
Additional Shields*	SIGFOX LoRa GPS
I/Os	GPIOs, UART
Dimensions (mm)	46.9 x 15.2 x 5.5
Programming Language	Arduino / C

*\*Will be available*

THE TACTIGON, a NEXT INDUSTRIES brand

