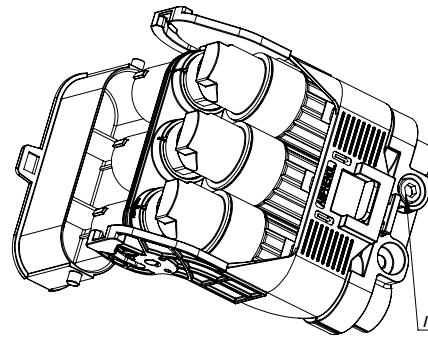
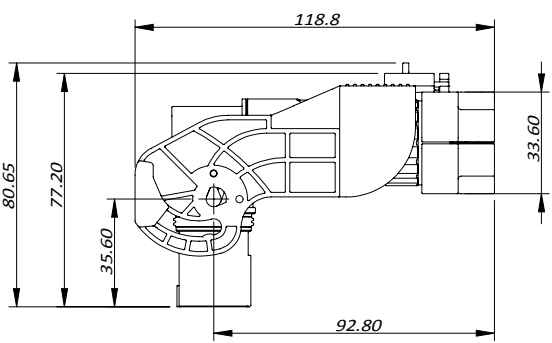
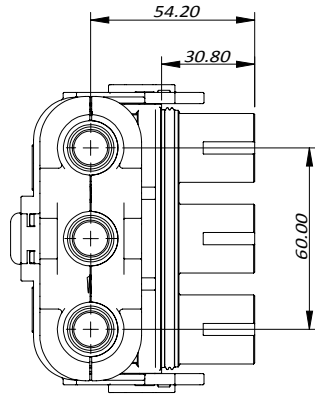
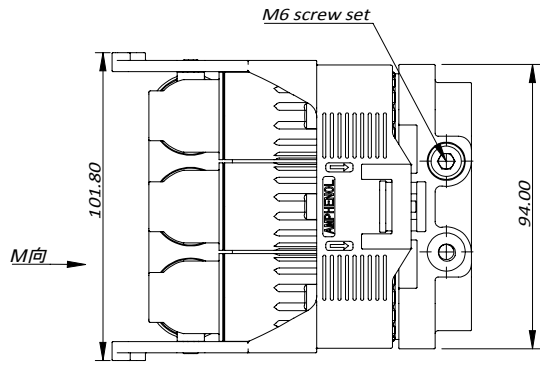
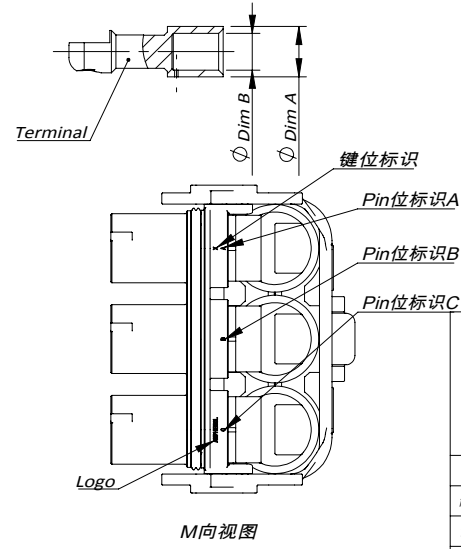


THIS DRAWING IS SUPPLIED FOR INFORMATION ONLY. DESIGN FEATURES, SPECIFICATIONS AND PERFORMANCE DATA SHOWN HEREON ARE THE PROPERTY OF THE AMPHENOL CORPORATION. NO RIGHTS OF REPRODUCTION ARE IMPLIED. ALL DIMENSIONS ARE SUBJECT TO NORMAL MANUFACTURING VARIATIONS.

CUSTOMER DRAWING



Install Torque: 3N·m±10%



A
B
C
D

1 2 3 4 5 6 7 8

REVISIONS					
REV#	ECN#	REVISION ACTION	REV.BY:	APPR.BY:	DATE
A	--	INITIAL RELEASE	JX	JL	03/09/2020
B	--	Add Package specification P/N With Add Dust Cap Protection Capa And 1p1000011改为1P1000545	Star	JL	03/04/2021

Standard Part List:

Model No.	H+S Part No.	Dia. Primary Insulation (mm)	Dia. of Screen max. (mm)	Overall-Dia. Nominal (mm)	Outside-Dia. A of terminal(mm)	Inside-Dia. B of terminal(mm)
PL283(X)-30X-70-2-5	84100298	13.7±0.3	14.6	17.0±0.3	16.7±0.3	12.2±0.3
PL283(X)-30X-50-2-5	84096257	11.5±0.3	12.6	14.9±0.3	14.0±0.3	10.0±0.3

订购信息 Ordering Information

PL283 X - 30 1 - 70 - 2 -5

Key and Color	HVIL	Cable Size	Cable Type:
"X", Orange	"0", NO HVIL	"70"=70mm ²	"-5", Huber+Suhner
"Y", Black	"1", With HVIL	"50"=50mm ²	

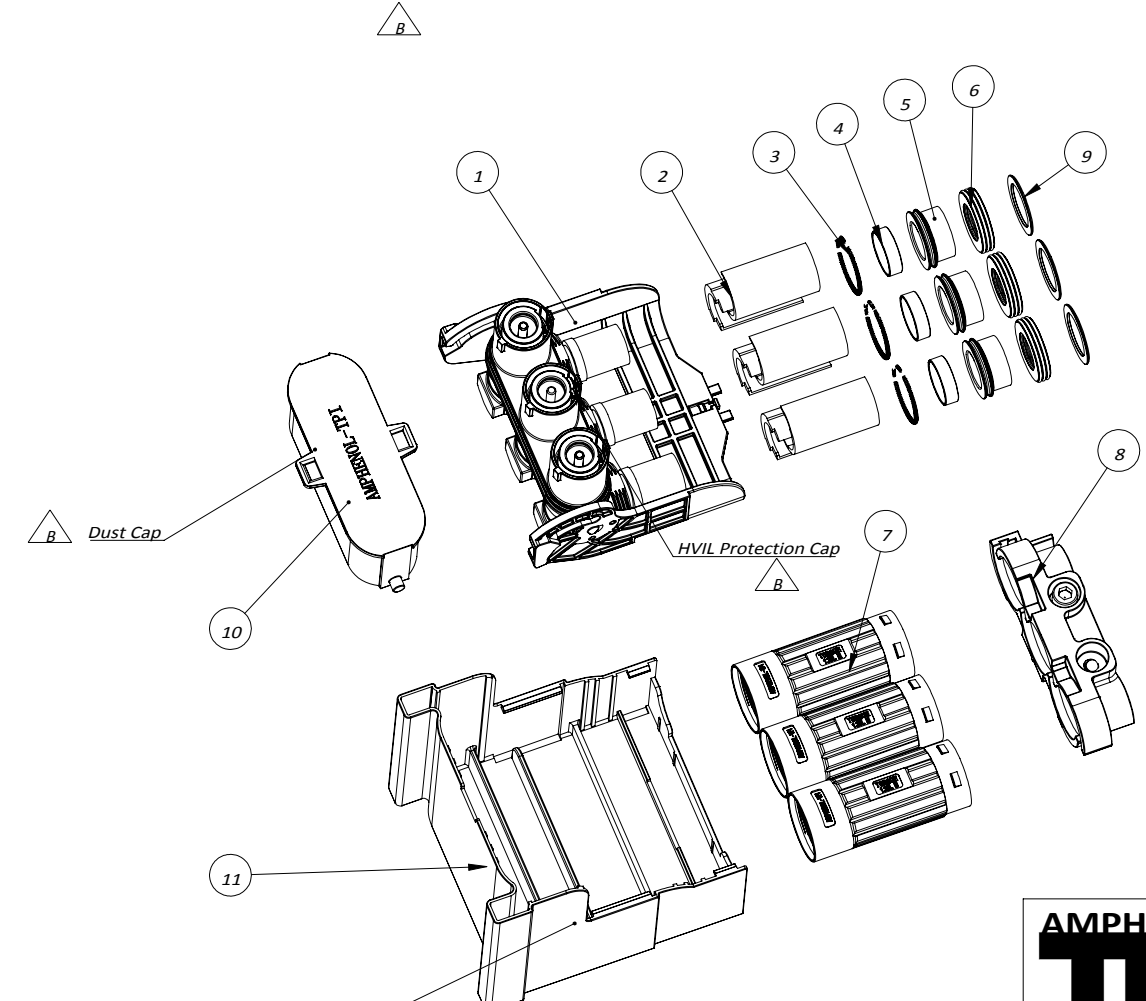
规格参数(Spec.):

- 工作温度 Operating temperature : -40°C ~ +125°C.
- 带高压互锁 Electrical interlock (HVIL).
- 额定电流 Current rating:
Power: 50mm²,200A;70mm²,250A; HVIL: 5A.
- 额定电压 Operating voltage:
Power: 1000 VDC; Signal: 60 VDC.
- 耐电压 Dielectric withstanding voltage:
A. 与插座对插后,Pin与铁壳之间
When mated, between pin and metal shell: 5000 VDC.
B. 与插座对插后,Pin与HVIL之间
When mated, between pin and HVIL: 5000 VDC.
C. 与插座对插后,HVIL与铁壳之间
When mated, between HVIL and metal shell: 500 VDC.
D. 与插座对插前,两个HVIL端子之间耐压
Before mating, between two HVIL terminals: 500 VDC.
- 防护等级 Protection class:Mated-IP6k9k & IP67,unmated-IP2X.
- 电磁屏蔽 360°full Shielding.
- 机械寿命 Mating cycle: 100 Min.
- 带CPA的摇杆系统 Latch system with CPA.
- 绝缘材料满足UL94 V-0 Inner insulation material satisfy UL94V-0.
- 镀次锌/镍合金,符合RoHS,满足500H中性盐雾实验
Gray Zinc/Nickel(ZnNi)Plating.RoHS compliant,Rated at 500hours salt spray.

		Amphenol Technical Products International Asia.					PART NAME:	
		第三角投影 THIRD ANGLE PROJECTION	页面 SHEET	幅面 SIZE	版次 REV.	比例 SCALE	PL300 G2 3POS Right Angle Plug	
签名 SIGNATURE		日期 DATE		UNLESS OTHERWISE SPECIFIED			DWG NO:	
制图 DRAWN		Star		1) All dimensions are in metric(mm). 2) Tolerances are as follows:			PL283X-30X-XX-2-5	
审核 CHECKED				1.PL DEC ± 1.00 2.PL DEC ± 0.50 3.PL DEC ± 0.20			CUST PART #	
批准 APPROVAL				Angles ±1°			CUST REV.	

THIS DRAWING IS SUPPLIED FOR INFORMATION ONLY. DESIGN FEATURES, SPECIFICATIONS AND PERFORMANCE DATA SHOWN HEREON ARE THE PROPERTY OF THE AMPHENOL CORPORATION. NO RIGHTS OF REPRODUCTION ARE IMPLIED. ALL DIMENSIONS ARE SUBJECT TO NORMAL MANUFACTURING VARIATIONS.

1	2	3	4	5	6	7	8
型号 Model	Kit Package P/N	Bulk Package P/N			REVISIONS		
PL283X-300-50-2-5	AC-HA011993	AC-HA011993-2			REV#	ECN#	REVISION ACTION
PL283Y-300-50-2-5	AC-HA011994	AC-HA011994-2			A	--	INITIAL RELEASE
PL283X-300-70-2-5	AC-HA011995	AC-HA011995-2			B	--	Add Package specification P/N With Add Dust Cap Protection Capa And 1p1000011改为1P1000545
PL283Y-300-70-2-5	AC-HA011996	AC-HA011996-2					REV.BY: JX
PL283X-301-50-2-5	AC-HA011997	AC-HA011997-2					APPR.BY: JL
PL283Y-301-50-2-5	AC-HA011998	AC-HA011998-2					DATE 03/09/2020
PL283X-301-70-2-5	AC-HA011999	AC-HA011999-2					
PL283Y-301-70-2-5	AC-HA012000	AC-HA012000-2					



ITEM	DESCRIPTION	QTY	REMARK
11	PL300 G2 3 POS plug protection cap	1	Order P/N AC-CP001619
10	PL300 G2 Dust cap for Plug	1	
9	PL300 G2 metal gasket	3	
8	PL300 G2 R/A Tail Cap H+S cable	2	Different P/N are used according to different Cable sizes
7	PL300 G2 Back Shell 14mm-90	3	Different P/N are used according to different Cable sizes
6	PL300 G2 cale sealing	3	Different P/N are used according to different Cable sizes
5	PL300 G2 Outer Copper Ring for R/A Plug	3	Different P/N are used according to different Cable sizes
4	PL300 G2 Inner Copper Ring	3	Different P/N are used according to different Cable sizes
3	PL300 G2 Canted Coil Spring for Plug	3	
2	PL300 G2 Plastic set	6	
1	PL300 G2 Front Shell 14mm-90 Assy	1	Different P/N are used according to different Cable sizes
MATERIALS LIST			

		Amphenol Technical Products International Asia.				PART NAME: PL300 G2 3POS Right Angle Plug	
		第三角投影 THIRD ANGLE PROJECTION	页面 SHEET	幅面 SIZE	版次 REV.	比例 SCALE	DWG NO: PL283X-30X-XX-2-5
签名 SIGNATURE 日期 DATE		2 OF 2 A4 B		1:2.5 UNLESS OTHERWISE SPECIFIED 1) All dimensions are in metric(mm). 2) Tolerances are as follows: 1.PL DEC ± 1.00 2.PL DEC ± 0.50 3.PL DEC ± 0.20 Angles ±1°		CUST PART #	
制图 DRAWN 审核 CHECKED 批准 APPROVAL		Star 03/04/2021				CUST REV.	