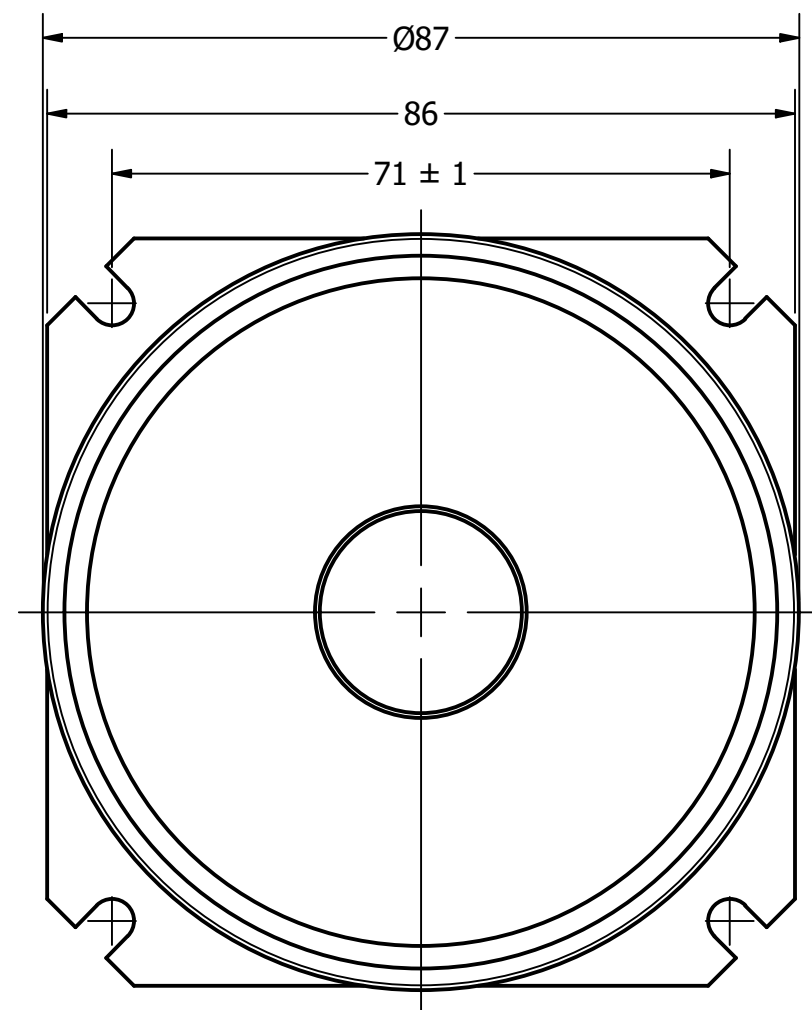


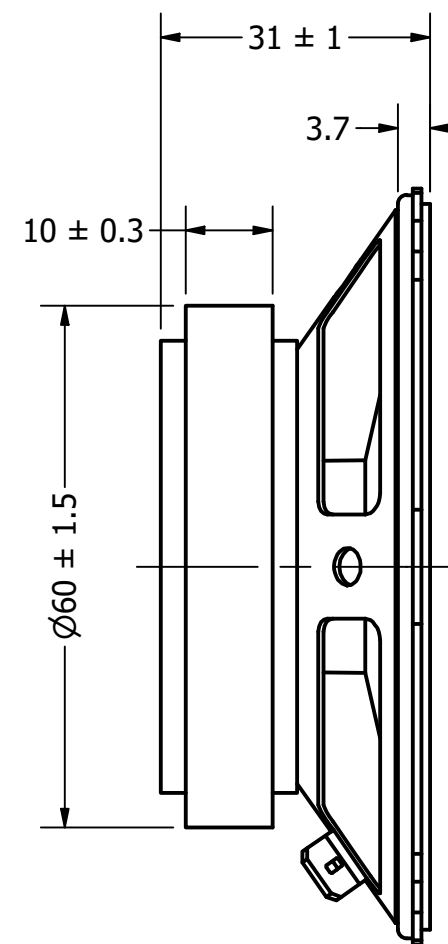
Part Number:	SM870508-1	
DESCRIPTION:	Dynamic Speaker	
DRAWN	CJ	3/9/2018
CHECKED	C.H.	3/14/2018
APPROVED	C.E.	3/14/2018

This document contains data proprietary to DB Unlimited. Any use or reproduction, in any form, without prior written permission of DB Unlimited is prohibited. All terms and conditions can be found at www.dbunlimitedco.com

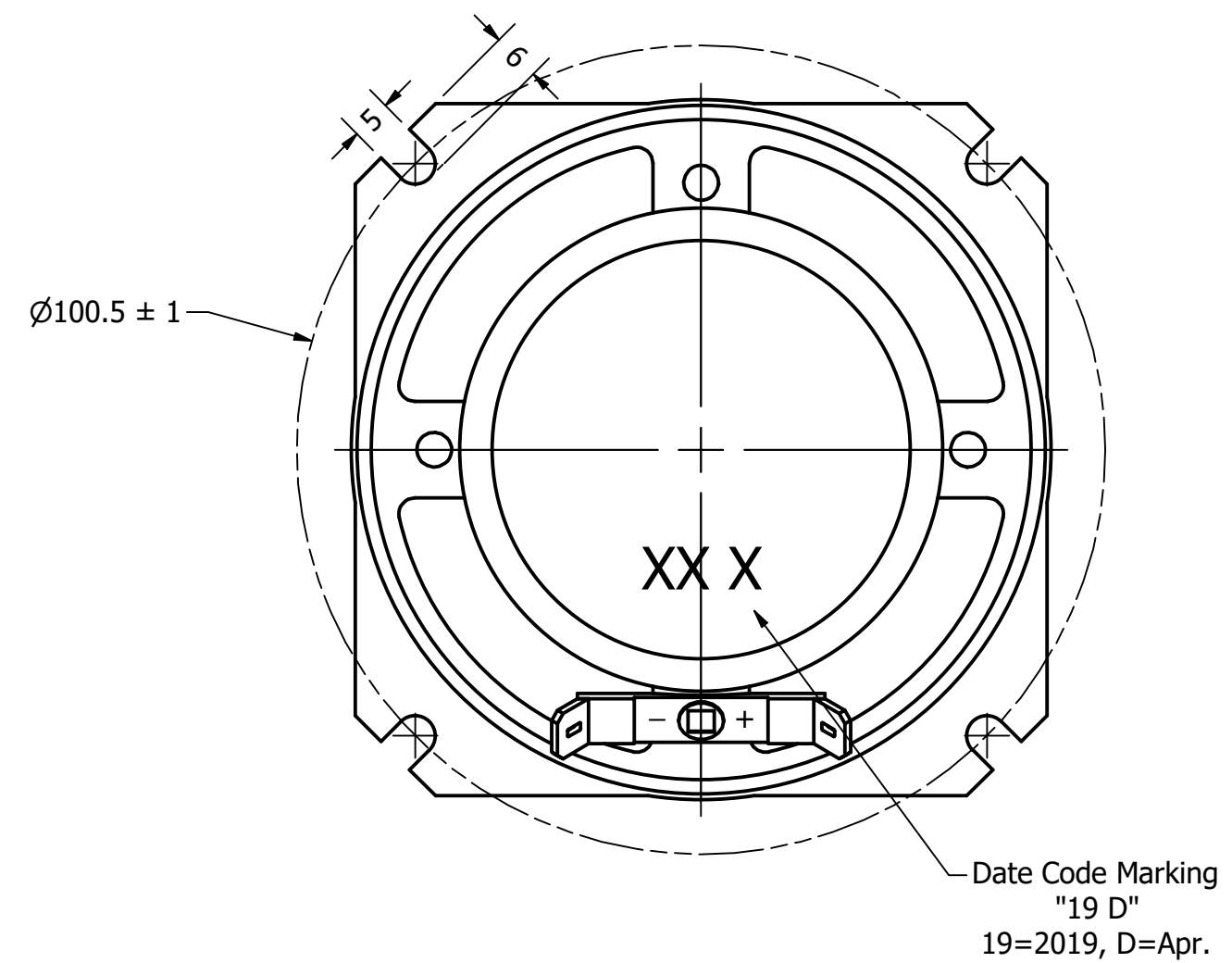
Top View



Side View



Bottom View



Items	Specifications	Conditions
Sound Pressure Level	103	dB (1W@10cm), Avg.
Resonant Frequency	500	Hz
Frequency Range	500 ~ 7,000	Hz
Nominal Power	10	W
Max. Power	16	W
Impedance	8	Ω
Cone Material	Mylar	
IP Rating	IP54	
Mount Type	Frame Mount	
Storage Temperature	-30 ~ +70	°C
Operating Temperature	-20 ~ +60	°C
Weight	240	g
Gasket Material	NBR5	
Gasket Durometer	70 shore A	
Gasket Temperature Range	-30 ~ +180	°C
Gasket Thickness	3.0	mm
Gasket Width	2.0	mm

REVISION HISTORY

REV	DESCRIPTION	DATE	APPROVED
	Released from Engineering	3/14/2018	C.E.
1	Added gasket specifications	1/8/2019	C.E.
2	Updated gasket width, modify detail for clarity	2/1/2019	C.E.
3	Standardized call-out text, Updated SPL distance	8/7/2019	C.E.
4	Updated marking, added hole to hole distance	8/20/2019	C.E.
5	Added IP rating	9/3/2019	C.E.

NOTES

- 1) All dimensions are in mm unless otherwise noted
- 2) All tolerances are ± 0.5 mm unless otherwise noted
- 3) All parts meet RoHS
- 4) Subject to change or redrawn without notice