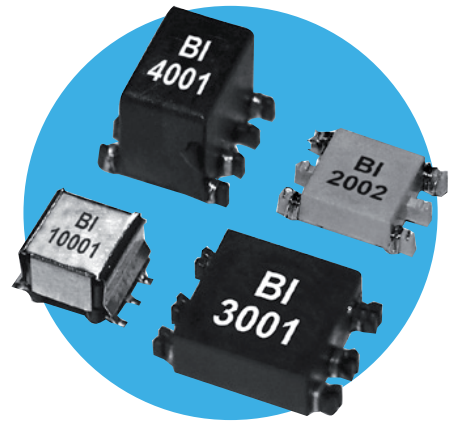


Gate Drive Transformers

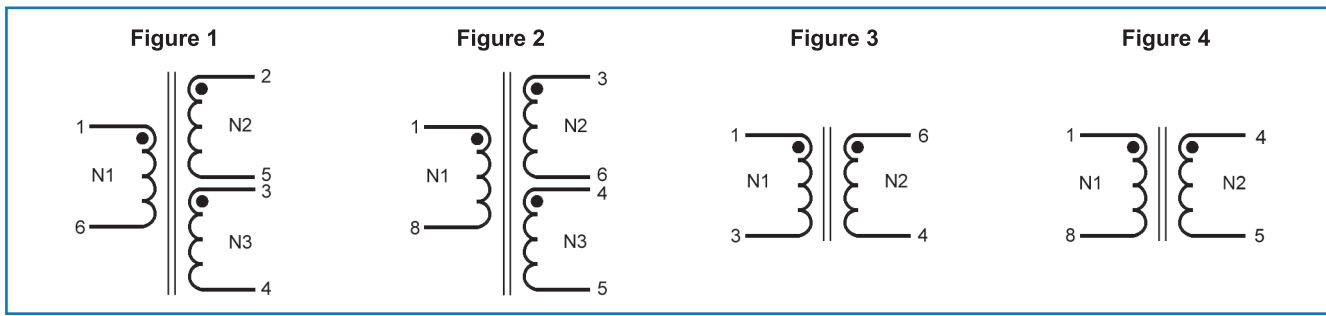
Model HM42 Series

Features

- Operating Temperature Range -40°C to +125°C
- Ambient Temperature, Maximum +85°C
- 1500Vdc Isolation between Gate and Drive
- Basic Insulation 1500Vrms between Primary and Secondary
- RoHS Compliant



Electrical Schematics



Specification @ 25°C

Part Number	Turns Ratio	Primary Inductance (μH Min)	Leakage Inductance (μH Min)	V*μsec (Max)	Primary DCR (Ω Max)	Secondary DCR (Ω Max)	Pri-Sec Insulation	Electrical Schematic	Case Size
HM42-10001LF	1:1:1	300	2.30	80.9	2.00	2.00	1500Vdc	Figure 1	10
HM42-10002LF	2:1:1	300	2.30	40.4	2.00	1.00	1500Vdc	Figure 1	10
HM42-20001LF	1:1	695	0.50	29.3	1.00	1.00	1500Vdc	Figure 3	20
HM42-20002LF	1:1	785	0.46	31.5	0.60	0.60	1500Vdc	Figure 3	20
HM42-30001LF	1:1:1	980	0.75	30.2	0.50	0.50	1500Vac	Figure 1	30
HM42-30002LF	1:1	980	0.75	30.2	0.50	0.50	1500Vac	Figure 3	30
HM42-30003LF	1:1:1	1500	0.50	37.8	0.62	0.62	1500Vac	Figure 1	30
HM42-40001LF	1:1:1	3300	0.70	68.0	1.60	1.60	1500Vdc	Figure 2	40
HM42-40002LF	1:1	1400	0.50	49.1	0.60	0.60	1500Vac	Figure 4	40
HM42-40003LF	1:1	1200	0.50	45.4	0.50	0.50	1500Vac	Figure 4	40
HM42-40004LF	2:1:1	1200	0.60	45.4	0.60	0.30	1500Vac	Figure 2	40

Notes: (1) Inductance is measured at 100kHz, 0.1Vrms.
 (2) It is recommended that the temperature of the component (ambient plus temperature rise) does not exceed 125°C under worst case operating conditions.

Packaging

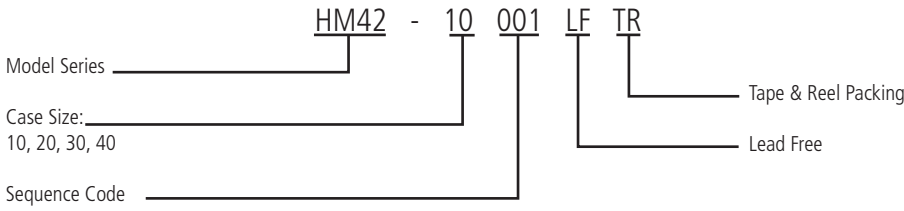
Standard:	Embossed Tape and Reel	
	Reel:	Diameter: = 13" (330.2mm)
		Capacity:
	Case size 10 = 750 Units	
	Case size 20 = 1,500 Units	
	Case size 30 = 1,000 Units	
Case size 40 = 450 Units		

General Note

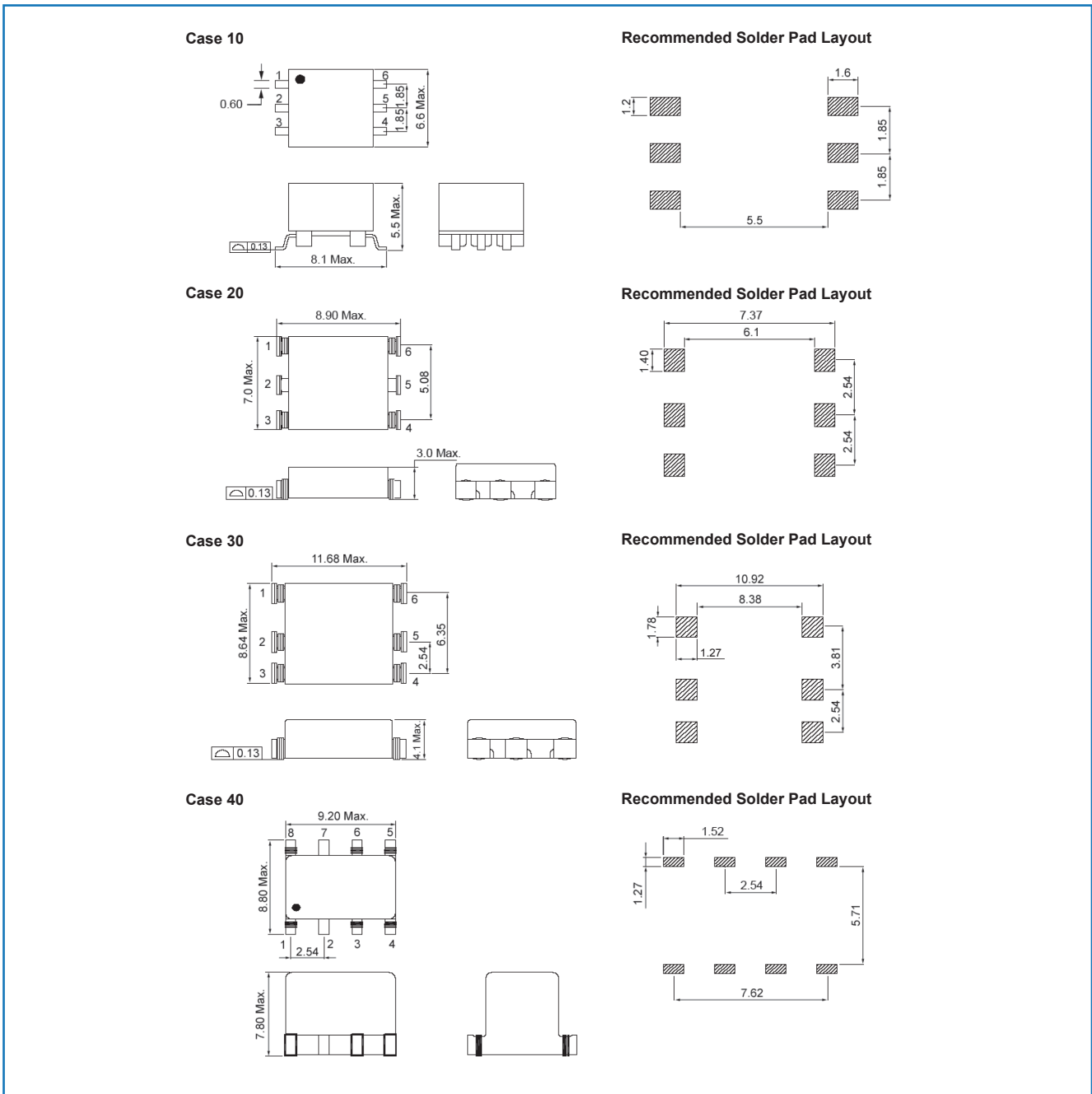
TT Electronics reserves the right to make changes in product specification without notice or liability. All information is subject to TT Electronics' own data and is considered accurate at time of going to print.

Model HM42 Series

Ordering Information



Outline Dimensions (Inch/mm)



General Note

TT Electronics reserves the right to make changes in product specification without notice or liability.
All information is subject to TT Electronics' own data and is considered accurate at time of going to print.