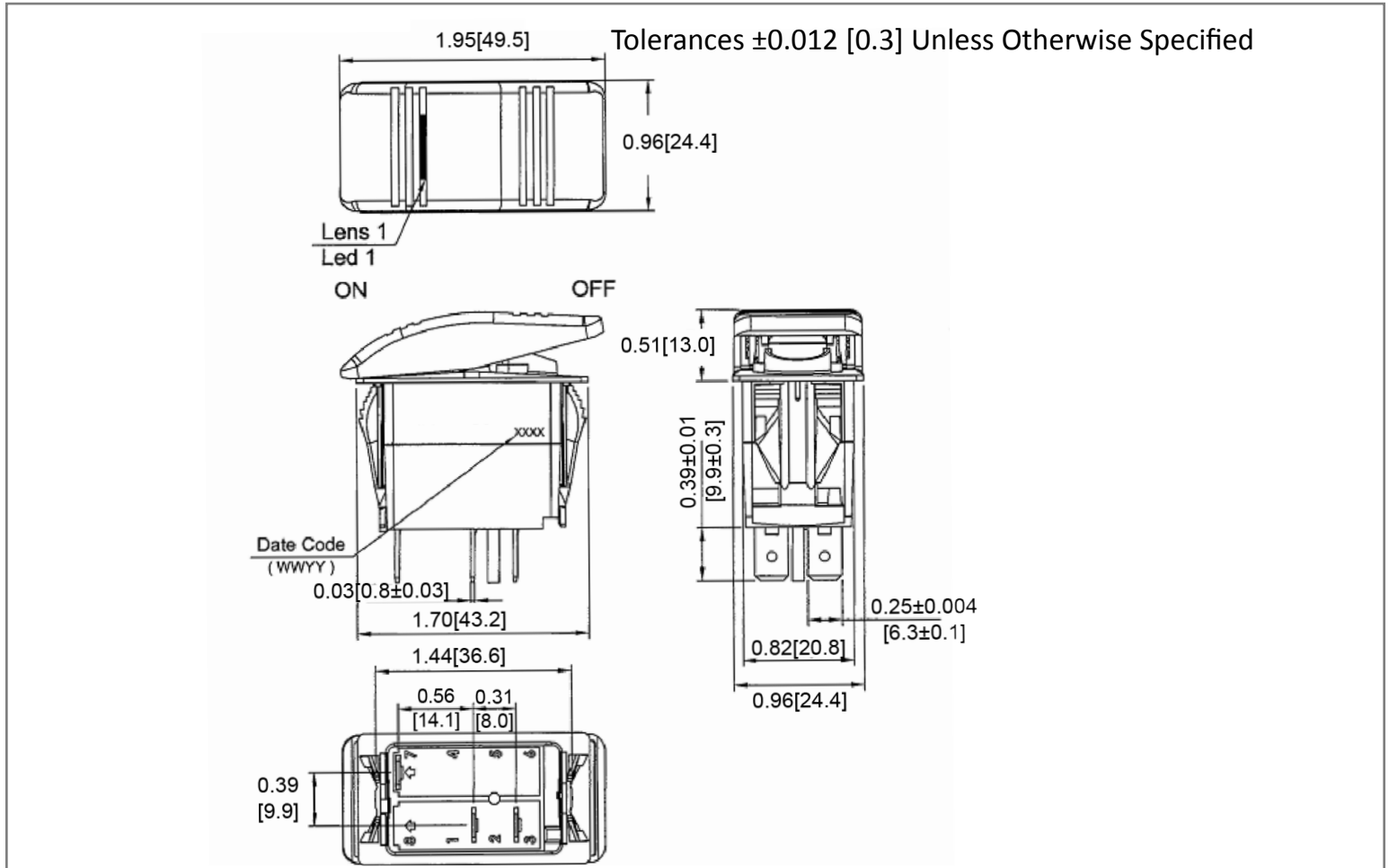
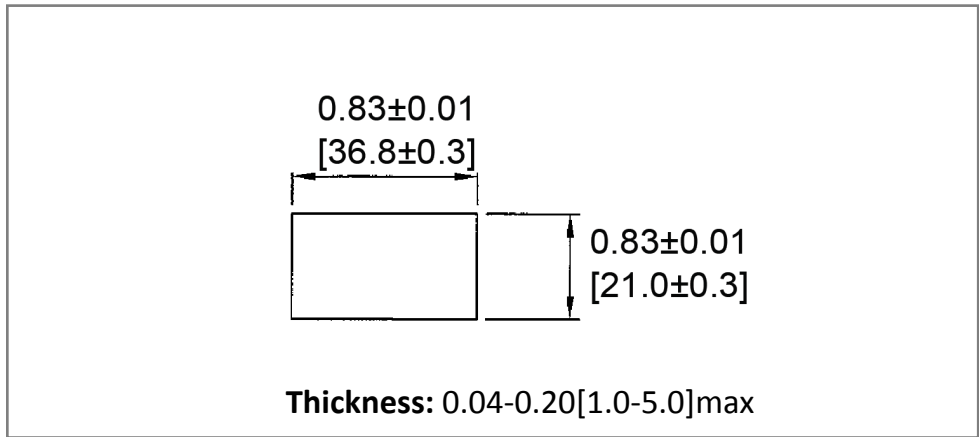


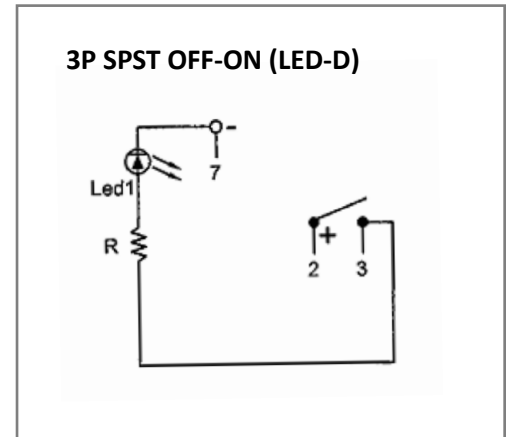
Mechanical Dimensions: Inches [mm]



Mounting Hole



Circuit Diagram



Electrical Specifications

Rating	21A 14V DC
Contact Resistance	50m ohm Max
Insulation Resistance	DC 500V 100M ohm Min
Dielectric Strength	AC 1500V 1 minute
Operation Temperature	-25°C~85°C

Material Specifications

Frame/ Actuator	Black, Nylon 66 (94V-2)
Lens	White diffused, PC
LED	Blue, dependent
Terminals	Silver plated copper/ Brass
Waterproof	IP56

Rev	Date of issue	Revision Notes	Designed	Approved
A	01-11-2022	Initial Drawing	RC	OF