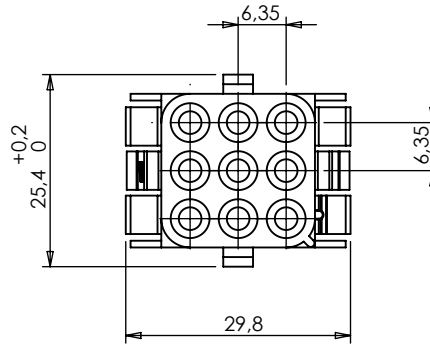
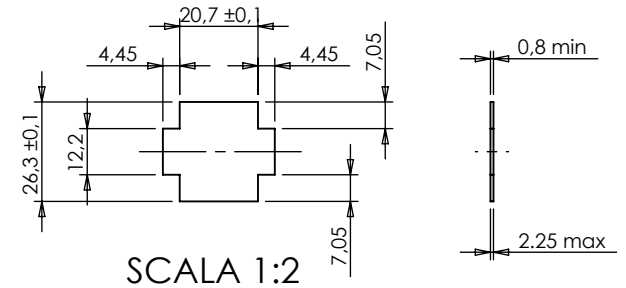


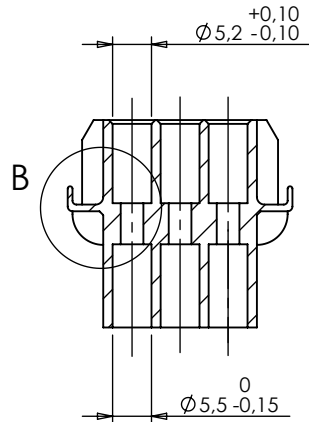
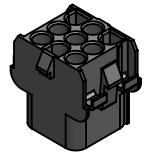
DETTAGLIO B



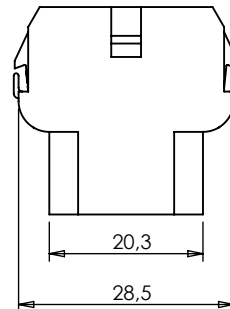
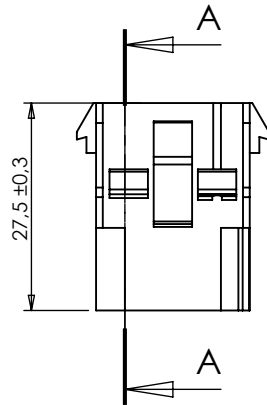
DISEGNO TAGLIO LAMIERA



SCALA 1:2

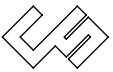


SEZIONE A-A
SCALA 1:1



7	Aggiunto quote Ø5.20 e Ø5.50 e particolare lamiera di fissaggio (CUT - OUT)	28-01-2015
6	Detail B	09-10-2013
5	Updated raw materials table and title box	09-11-2011
4	Updated raw materials table and title box	23-02-2011
3	Updated drawing	10-11-2005
2	Updated total weight	27-03-2002
1	Updated tolerances	02-12-1999

INDEX	MODIFICATION	DATE
-------	--------------	------


COLOMBO SERGIO e Figli S.r.l.
 20063 CERNUSCO S/N - VIA COMO, 11
 TEL +39.02.9210.7404 - FAX +39.02.9210.0217
<http://www.cscolombo.com> - e-mail: info@cscolombo.com

CHECKED BY	DATE	DESIGN UNITS
Stefano Scaglioni	23-02-2011	METRIC

DRAWN BY	DATE	WEIGHT
Stefano Querzoli	23-02-2011	

SCALE	CAD REFER	SIZE	INDEX 0
1:1	Y:\dis\cs\lkk09vie\l	A4	15-11-1997

		CS-LK09F	PA66 UL94 V-2
		CS-LK09FV0	PA6/66 UL94 V-0
		CS-LK09FSTY	PA46 UL94 V-2
		CS-LK09FV0750NF	PA66 UL94 V-0 GWIT 775
		CS-LK09F-G	PA6 UL94 V-2 GWIT 775
		PART NUMBER	MATERIAL

DIMENSIONS WITHOUT TOLERANCES			
∠ ±2°	0 - 6	±0.1	
	6 - 30	±0.2	
	> 30	±0.3	

BASE CODE	DESCRIPTION
CS-LK09F	9 poles cap housing for LKseries terminal diam. 2.12mm