

ATOM In-wall Switch

Standard and Non-neutral Available



The ATOM Wireless Wall-mount Switch is designed to replace traditional in-wall switch with modern wireless technologies. It is capable of providing multi-functions and allow wirelessly control lighting devices in various platforms. This is a must have components to excel user experiences in the wireless environment.

KEY FEATURES:

- Best low power load support, no bypass part or low power light adapter required
- Default local circuit operate and do not require system control
- BT 5.0 compatible Casambi BT 5.0 Mesh
- Power failure memory to return to its previous set level prior to the interruption of power
- Compatible to designer style wallplates or standard off-the-shelf wall plates
- Fit in 1-gang U.S. wallbox ; 2 1/2" minimum depth recommended
- Neutral with required design make installation easier.
- Available color - white

SPECIFICATIONS

COMPATIBILITY	: Casambi ; BT 5.0
INPUT	: 110 ~ 277VAC/47-63Hz
RELAY SWITCHING CAPABILITY	: 5A/120VAC; 3A/277VAC - Optional
OPERATING ENVIRONMENT	: 0 - 50 Deg.C
RADIO PROPERTIES	: BT 5.0 2.4GHz
INTERNAL ANTENNA	: Built-in
CONTROLS	: 2 to 8 buttons for on/off; dim; scene selection
DIMENSIONS	: 44.40 x 33.20 x 105mm (L x W x H)
WARRANTY	: 5 Year

ATOM In-wall Switch

Non-neutral and Standard | Casambi Compatible

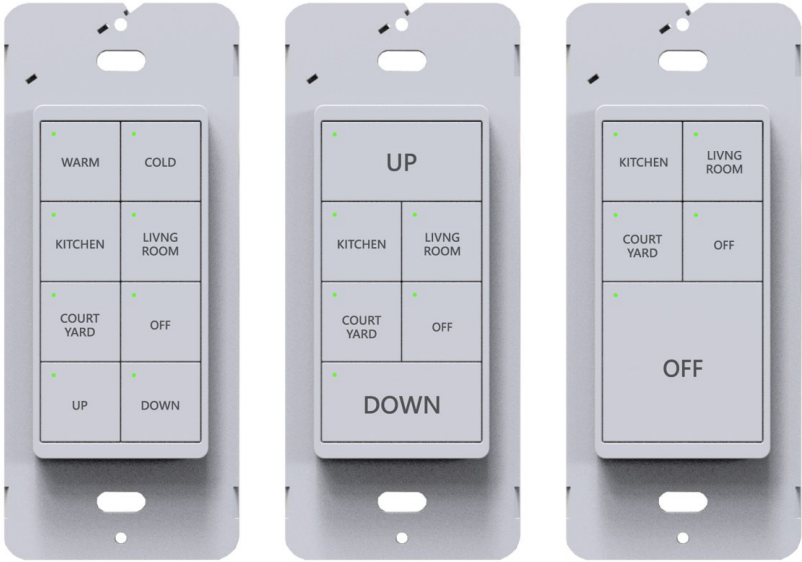
ORDER INFORMATION- WS-QRX-SY-ZZT

SAMPLE ORDER: WS-TE1-01-06-A3

WS-	Q	R	X-	S	Y-	ZZ	T		
	RELAY FOR AC ON/OFF	LOCATION	0-10V DIMMING	NEUTRAL WIRE	WIRELESS COMMUNICATION PROTOCOL	NUMBER OF BUTTONS	FACE PLATE COLOR (Optional)		
WS	T For Yes	A For USA, 110 – 277VAC Input	0 No	0 Yes (With) for Zigbee or Bluetooth	1 Zigbee	02	2 Buttons On/Off	A1	Dark Chocolate
						04	4 Buttons On/Off	A2	Warm Caramel
						05	5 Buttons On/Off; 2 Scene	A3	Moon Rock
	N For No	E For Europe, 230VAC Input	1 Yes	N No (Without) for Zigbee only	2 BT 5.0	06	6 Buttons On/Off; 2 Scene	A4	Silver Gray
08						8 Buttons On/Off; 4 Scene	A5	Pebble Gray	

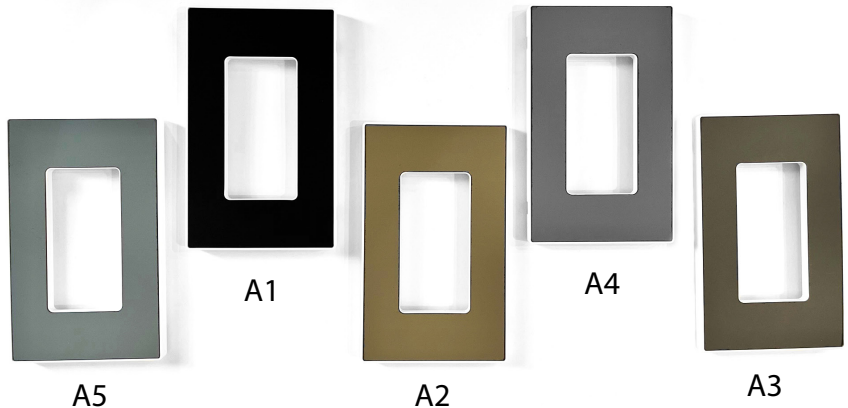
BUTTON OPTIONS

Standard and customized button.



AVAILABLE PLATE COLOR

- A1 Dark Chocolate
- A2 Warm Caramel
- A3 Moon Rock
- A4 Silver Gray
- A5 Pebble Gray

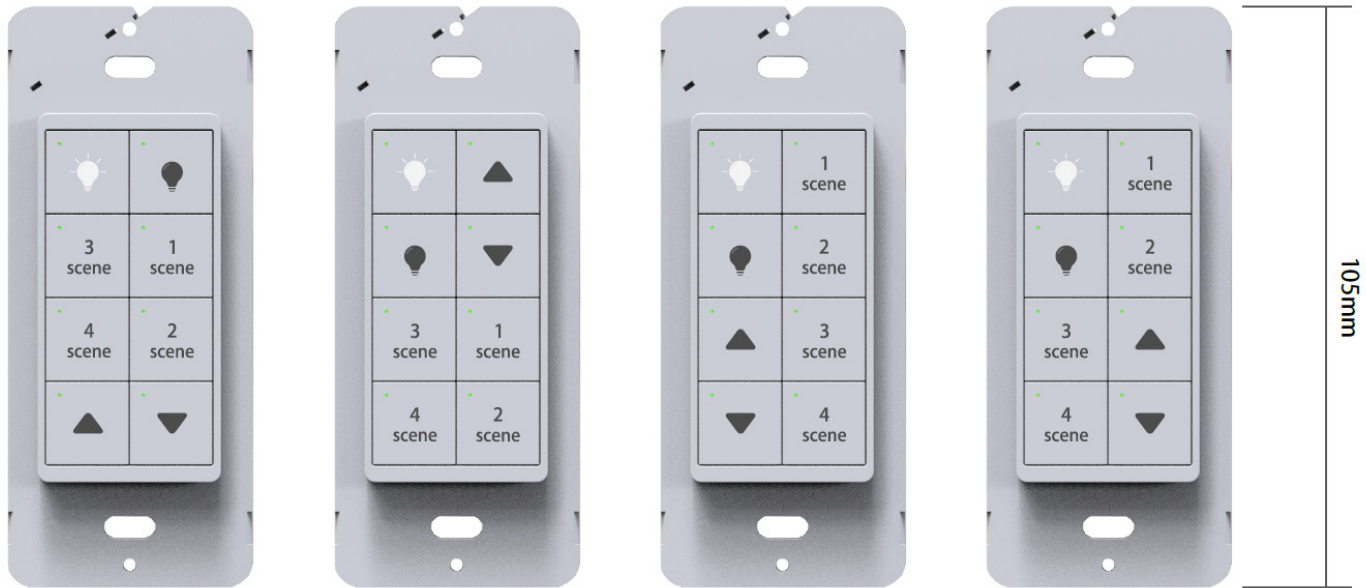


Project Name:	Model Number:
Type:	

ATOM In-wall Switch

Non-neutral and Standard | Casambi Compatible

BUTTON ARRANGEMENT



MARKINGS



Silk Screen Print



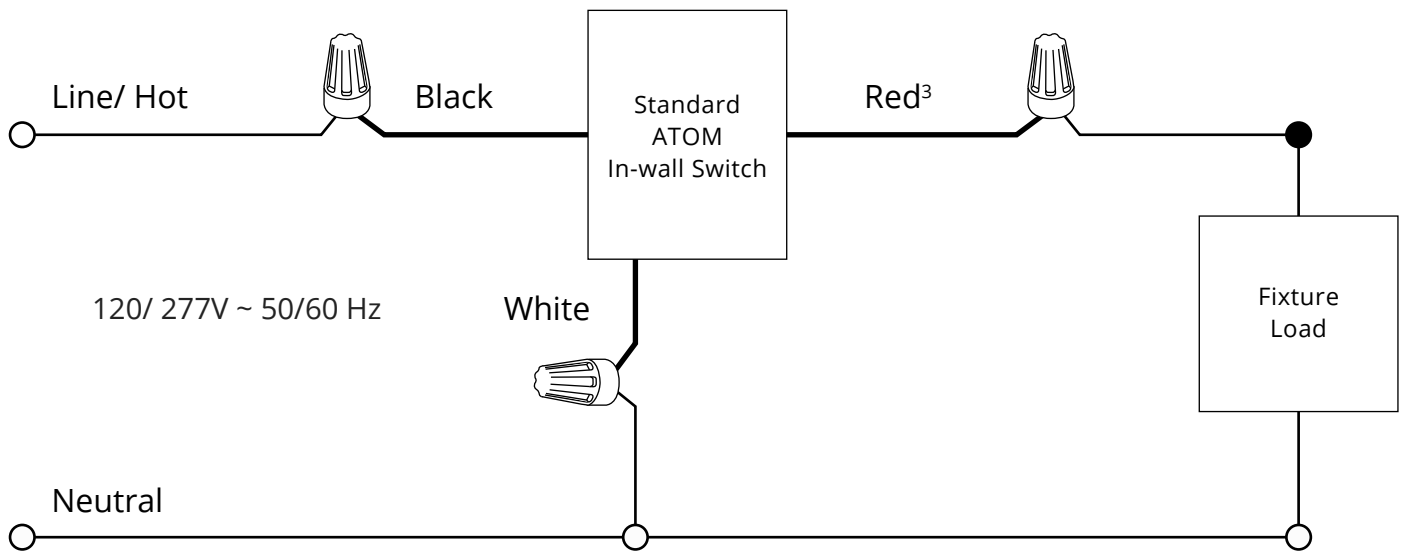
Laser Engraving

ATOM In-wall Switch

Non-neutral and Standard | Casambi Compatible

WIRING DIAGRAMS

STANDARD Casambi with relay optional

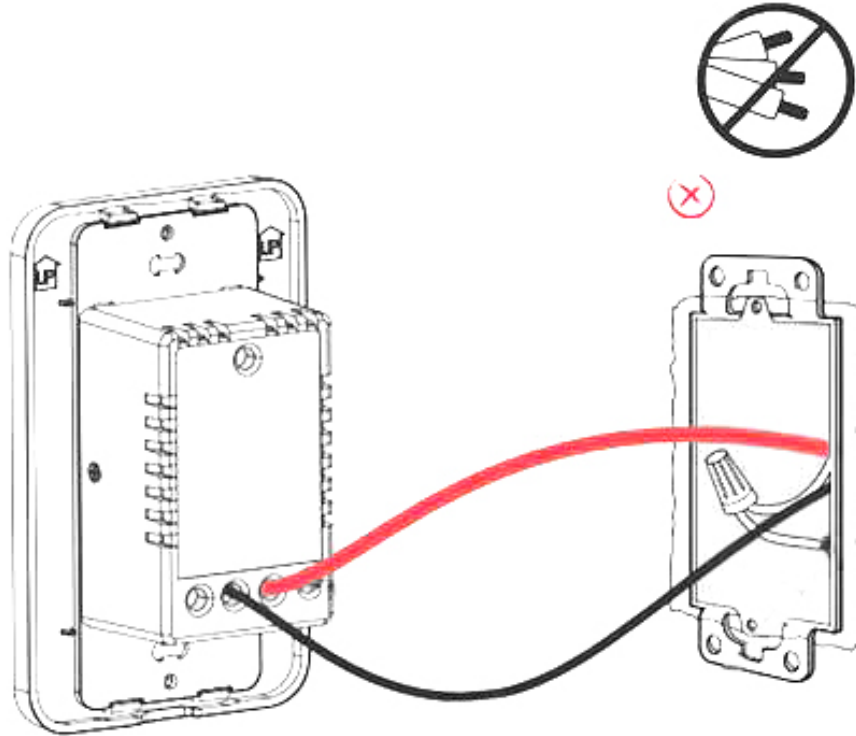


ATOM In-wall Switch

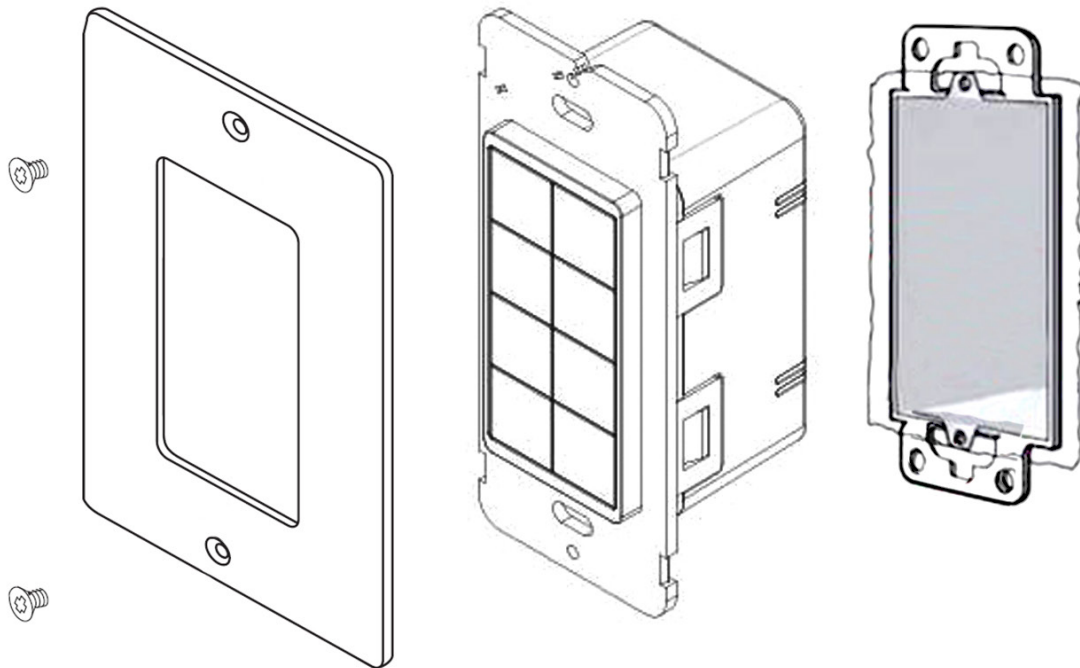
Non-neutral and Standard | Casambi Compatible

WIRING DIAGRAMS

Typical non-Neutral wiring diagram



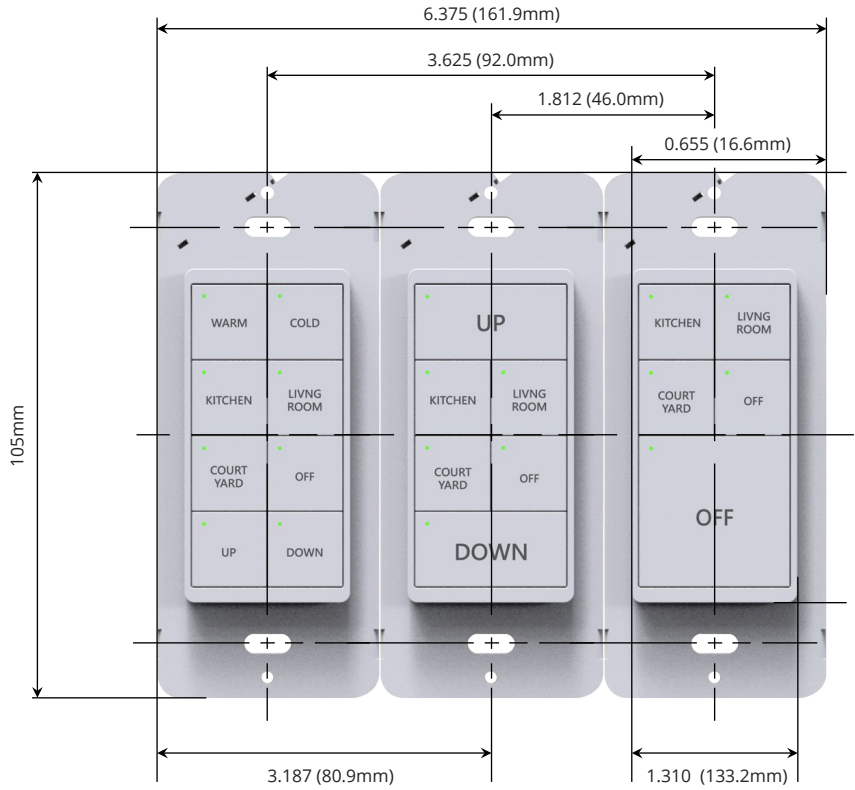
Typical installation



ATOM In-wall Switch

Non-neutral and Standard | Casambi Compatible

OUTLET, SWITCHES AND PLATE DIMENSIONS



THREE-DIMENSIONAL DEPTH

