

### Description

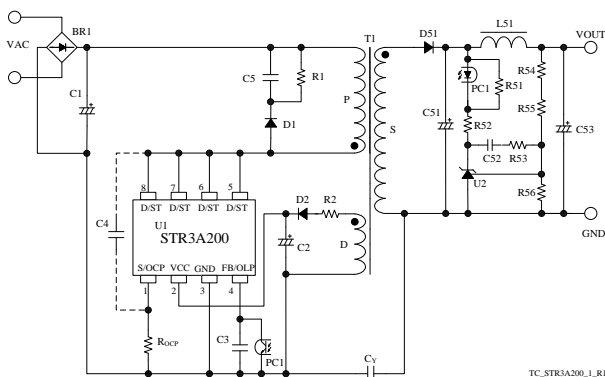
The STR3A200 series are power ICs for switching power supplies, incorporating a MOSFET and a current mode PWM controller IC.

The low standby power is accomplished by the automatic switching between the PWM operation in normal operation and the burst-oscillation under light load conditions. The product achieves high cost-performance power supply systems with few external components.

### Features

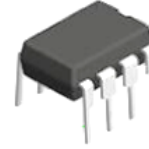
- Low Thermal Resistance Package
- Current Mode Type PWM Control
- Soft Start Function
- Auto Standby Function  
No Load Power Consumption < 15mW
- Operation Mode  
Normal Operation: PWM Mode  
Standby : Burst Oscillation Mode
- Random Switching Function
- Slope Compensation Function
- Leading Edge Blanking Function
- Bias Assist Function
- Protections
  - Two Types of Overcurrent Protection (OCP) : Pulse-by-Pulse, built-in compensation circuit to minimize OCP point variation on AC input voltage
  - Overload Protection (OLP) : Auto-restart
  - Overvoltage Protection (OVP) : Latched shutdown or auto-restart
  - Thermal Shutdown (TSD) : Latched shutdown or auto-restart with hysteresis

### Typical Application



### Package

DIP8



Not to Scale

### Lineup

- Electrical Characteristics

$f_{OSC(AVG)} = 67 \text{ kHz}$   
 $V_{DSS(min.)} = 650 \text{ V}$

Products	OVP, TSD Operation
STR3A25×	Latched shutdown
STR3A25×D	Auto restart

- MOSFET  $R_{DS(ON)}$  and  $P_{OUT}^*$

Products	$R_{DS(ON)}$ (max.)	$P_{OUT}$ (Adapter)		$P_{OUT}$ (Open frame)	
		AC230V	AC85 ~265V	AC230V	AC85 ~265V
STR3A251	4.0 $\Omega$	29.5 W	19.5 W	37 W	23 W
STR3A251D					
STR3A253	1.9 $\Omega$	37 W	27.5 W	53 W	35 W
STR3A253D					
STR3A255	1.1 $\Omega$	45 W	35 W	65 W	44 W
STR3A255D					

\* The output power is actual continues power that is measured at 50 °C ambient. The peak output power can be 120 to 140 % of the value stated here. Core size, ON Duty, and thermal design affect the output power. It may be less than the value stated here.

### Application

- AC/DC adapter
- White goods
- Other SMPS

## CONTENTS

Description .....	1
CONTENTS .....	2
1. Absolute Maximum Ratings.....	3
2. Electrical Characteristics .....	4
3. Performance Curves .....	5
3.1 Derating Curves .....	5
3.2 MOSFET Safe Operating Area Curves.....	6
3.3 Ambient Temperature versus Power Dissipation Curves .....	7
3.4 Transient Thermal Resistance Curves .....	8
4. Block Diagram .....	9
5. Pin Configuration Definitions.....	9
6. Typical Application .....	10
7. External Dimensions .....	11
8. Marking Diagram .....	11
9. Operational Description .....	12
9.1 Startup Operation.....	12
9.2 Undervoltage Lockout (UVLO) .....	12
9.3 Bias Assist Function.....	12
9.4 Soft Start Function.....	13
9.5 Constant Output Voltage Control.....	13
9.6 Leading Edge Blanking Function .....	14
9.7 Random Switching Function .....	14
9.8 Automatic Standby Mode Function .....	14
9.9 Overcurrent Protection (OCP) .....	15
9.9.1 OCP Operation .....	15
9.9.2 OCP Input Compensation Function .....	15
9.10 Overload Protection (OLP).....	16
9.11 Overvoltage Protection (OVP).....	16
9.11.1 Latched Shutdown type (STR3A2××) .....	17
9.11.2 Auto Restart Type (STR3A2××D).....	17
9.12 Thermal Shutdown (TSD) .....	17
9.12.1 Latched Shutdown type (STR3A2××) .....	17
9.12.2 Auto Restart Type (STR3A2××D).....	17
10. Design Notes .....	17
10.1 External Components .....	17
10.2 PCB Trace Layout and Component Placement .....	19
11. Pattern Layout Example .....	21
12. Reference Design of Power Supply .....	22
Important Notes.....	24

## STR3A200 Series

### 1. Absolute Maximum Ratings

- The polarity value for current specifies a sink as "+," and a source as "-," referencing the IC.
- Unless otherwise specified  $T_A = 25\text{ }^\circ\text{C}$ , 5 pin = 6 pin = 7 pin = 8 pin

Parameter	Symbol	Test Conditions	Pins	Rating	Units	Notes
Drain Peak Current <sup>(1)</sup>	$I_{DPEAK}$	Single pulse	8 – 1	3.6	A	3A251 / 51D
				5.2		3A253 / 53D
				7.2		3A255 / 55D
Avalanche Energy <sup>(2)(3)</sup>	$E_{AS}$	$I_{LPEAK} = 2.13\text{ A}$	8 – 1	53	mJ	3A251 / 51D
		$I_{LPEAK} = 2.46\text{ A}$		72		3A253 / 53D
		$I_{LPEAK} = 3.05\text{ A}$		110		3A255 / 55D
S/OCP Pin Voltage	$V_{OCP}$		1 – 3	– 2 to 6	V	
VCC Pin Voltage	$V_{CC}$		2 – 3	32	V	
FB/OLP Pin Voltage	$V_{FB}$		4 – 3	– 0.3 to 14	V	
FB/OLP Pin Sink Current	$I_{FB}$		4 – 3	1.0	mA	
D/ST Pin Voltage	$V_{D/ST}$		8 – 3	– 1 to $V_{DSS}$	V	
MOSFET Power Dissipation <sup>(4)</sup>	$P_{D1}$	<sup>(5)</sup>	8 – 1	1.68	W	3A251 / 51D
				1.76		3A253 / 53D
				1.81		3A255 / 55D
Control Part Power Dissipation	$P_{D2}$		2 – 3	1.3	W	$V_{CC} \times I_{CC}$
Operating Ambient Temperature	$T_{OP}$		–	– 40 to 125	$^\circ\text{C}$	
Storage Temperature	$T_{stg}$		–	– 40 to 125	$^\circ\text{C}$	
Junction Temperature	$T_{ch}$		–	150	$^\circ\text{C}$	

<sup>(1)</sup> Refer to 3.2 MOSFET Safe Operating Area Curves

<sup>(2)</sup> Refer to Figure 3-2 Avalanche Energy Derating Coefficient Curve

<sup>(3)</sup> Single pulse,  $V_{DD} = 99\text{ V}$ ,  $L = 20\text{ mH}$

<sup>(4)</sup> Refer to Section 3.3  $T_A$ - $P_{D1}$  Curve

<sup>(5)</sup> When embedding this hybrid IC onto the printed circuit board (copper area in a  $15\text{ mm} \times 15\text{ mm}$ )

## STR3A200 Series

### 2. Electrical Characteristics

- The polarity value for current specifies a sink as "+," and a source as "-," referencing the IC
- Unless otherwise specified,  $T_A = 25\text{ }^\circ\text{C}$ ,  $V_{CC} = 18\text{ V}$ , 5 pin = 6 pin = 7 pin = 8 pin

Parameter	Symbol	Test Conditions	Pins	Min.	Typ.	Max.	Units	Notes
<b>Power Supply Startup Operation</b>								
Operation Start Voltage	$V_{CC(ON)}$		2 – 3	13.8	15.0	16.2	V	
Operation Stop Voltage <sup>(1)</sup>	$V_{CC(OFF)}$		2 – 3	7.6	8.5	9.2	V	
Circuit Current in Operation	$I_{CC(ON)}$	$V_{CC} = 12\text{ V}$	2 – 3	–	1.7	2.3	mA	
Startup Circuit Operation Voltage	$V_{ST(ON)}$		8 – 3	40	47	55	V	
Startup Current	$I_{CC(ST)}$	$V_{CC} = 13.5\text{ V}$	2 – 3	– 4.5	– 2.5	– 1.2	mA	
Startup Current Biasing Threshold Voltage	$V_{CC(BIAS)}$	$I_{CC} = -500\mu\text{A}$	2 – 3	8.0	9.6	10.5	V	
<b>Normal Operation</b>								
Average Switching Frequency	$f_{OSC(AVG)}$		8 – 3	60	67	73	kHz	
Switching Frequency Modulation Deviation	$\Delta f$		8 – 3	–	5.4	–	kHz	
Maximum Feedback Current	$I_{FB(MAX)}$	$V_{CC} = 12\text{ V}$	4 – 3	– 170	– 130	– 90	$\mu\text{A}$	
Minimum Feedback Current	$I_{FB(MIN)}$		4 – 3	– 21	– 13	– 5	$\mu\text{A}$	
<b>Standby Operation</b>								
Oscillation Stop FB Voltage	$V_{FB(OFF)}$		4 – 3	1.06	1.16	1.26	V	3A251 / 51D / 53 / 53D
				0.81	0.90	0.99		3A255 / 55D
<b>Protection</b>								
Maximum ON Duty	$D_{MAX}$		8 – 3	70	75	80	%	
Leading Edge Blanking Time	$t_{BW}$		–	–	330	–	ns	
OCP Compensation Coefficient	DPC		–	–	17.3	–	mV/ $\mu\text{s}$	
OCP Compensation ON Duty	$D_{DPC}$		–	–	36	–	%	
OCP Threshold Voltage at Zero ON Duty	$V_{OCP(L)}$		1 – 3	0.735	0.795	0.855	V	
OCP Threshold Voltage at 36% ON Duty	$V_{OCP(H)}$		1 – 3	0.843	0.888	0.933	V	
OCP Threshold Voltage During LEB ( $t_{BW}$ )	$V_{OCP(LEB)}$		1 – 3	–	1.69	–	V	
OLP Threshold Voltage	$V_{FB(OLP)}$		4 – 3	6.8	7.3	7.8	V	
OLP Operation Current	$t_{OLP}$		–	55	75	90	ms	
OLP Delay Time	$I_{CC(OLP)}$	$V_{CC} = 12\text{ V}$	2 – 3	–	160	–	$\mu\text{A}$	
FB/OLP Pin Clamp Voltage	$V_{FB(CLAMP)}$		4 – 3	10.5	11.8	13.5	V	
OVP Threshold Voltage	$V_{CC(OVP)}$		2 – 3	27.0	29.1	31.2	V	

<sup>(1)</sup>  $V_{CC(BIAS)} > V_{CC(OFF)}$  always.

## STR3A200 Series

Parameter	Symbol	Test Conditions	Pins	Min.	Typ.	Max.	Units	Notes
Thermal Shutdown Operating Temperature	$T_{j(TSD)}$		—	127	145	—	°C	
Thermal Shutdown Hysteresis Temperature	$T_{j(TSD)HYS}$		—	—	80	—	°C	3A2××D
<b>MOSFET</b>								
Drain-to-Source Breakdown Voltage	$V_{DSS}$	$I_{DS} = 300\mu A$	8 - 1	650	—	—	V	
Drain Leakage Current	$I_{DSS}$	$V_{DS} = V_{DSS}$	8 - 1	—	—	300	$\mu A$	
On Resistance	$R_{DS(ON)}$	$I_{DS} = 0.4A$	8 - 1	—	—	4.0	$\Omega$	3A251 / 51D
				—	—	1.9		3A253 / 53D
				—	—	1.1		3A255 / 55D
Switching Time	$t_f$		8 - 1	—	—	250	ns	
<b>Thermal Resistance</b>								
Channel to Case Thermal Resistance <sup>(2)</sup>	$\theta_{ch-C}$		—	—	—	18	°C/W	3A251 / 51D / 53 / 53D
				—	—	17	°C/W	3A255 / 55D

<sup>(2)</sup>  $\theta_{ch-C}$  is thermal resistance between channel and case. Case temperature ( $T_C$ ) is measured at the center of the case top surface.

### 3. Performance Curves

#### 3.1 Derating Curves

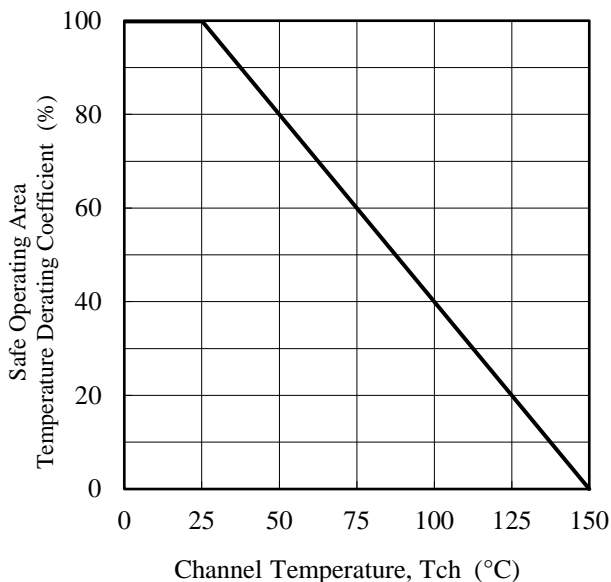


Figure 3-1 SOA Temperature Derating Coefficient Curve

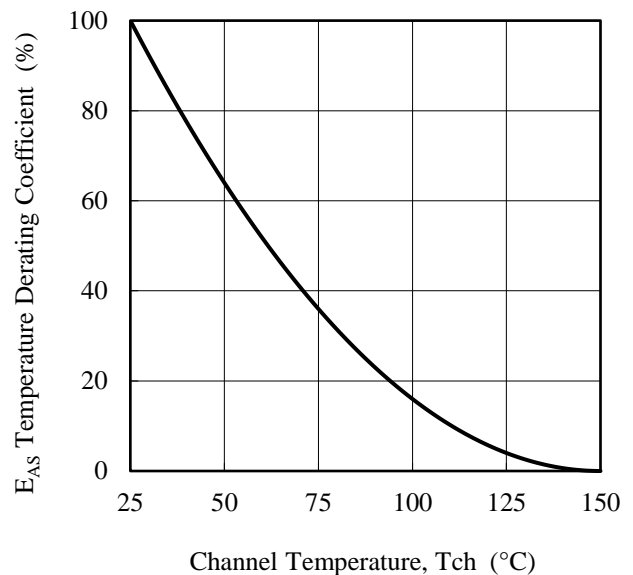


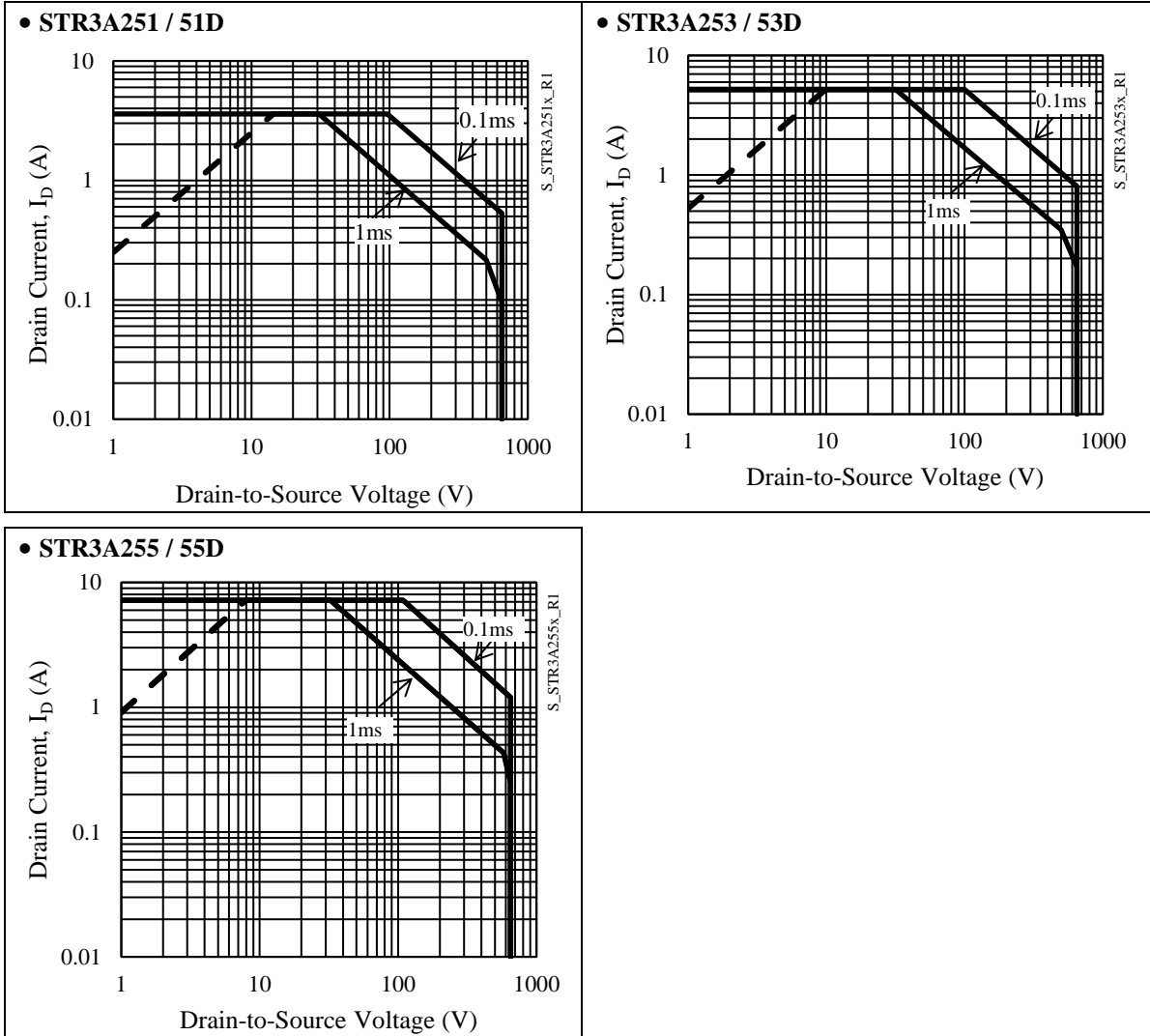
Figure 3-2 Avalanche Energy Derating Coefficient Curve

# STR3A200 Series

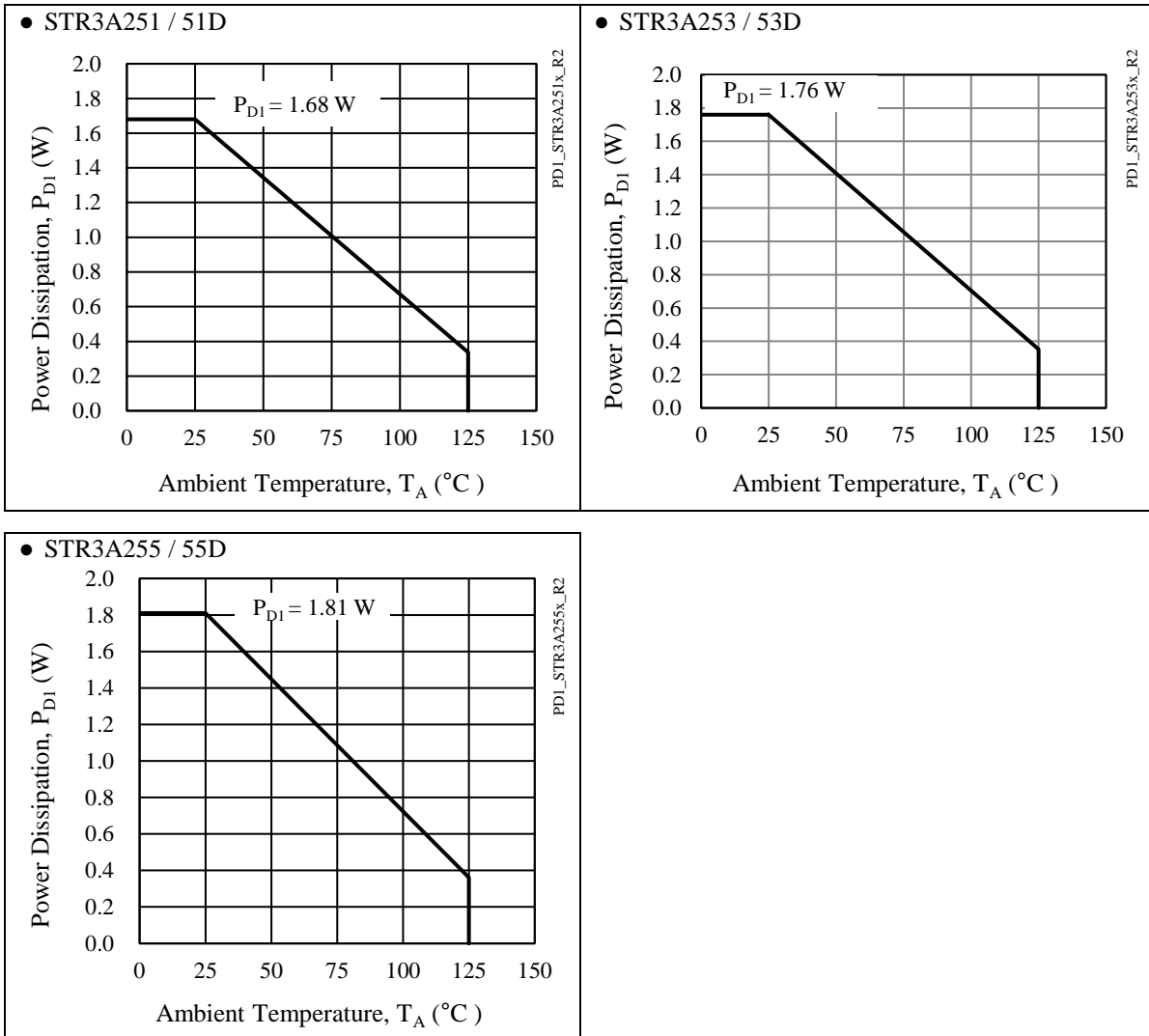
## 3.2 MOSFET Safe Operating Area Curves

When the IC is used, the safe operating area curve should be multiplied by the temperature derating coefficient derived from IC Figure 3-1.

- The broken line in the safe operating area curve is the drain current curve limited by on-resistance.
- Unless otherwise specified,  $T_A = 25\text{ }^\circ\text{C}$ , Single pulse

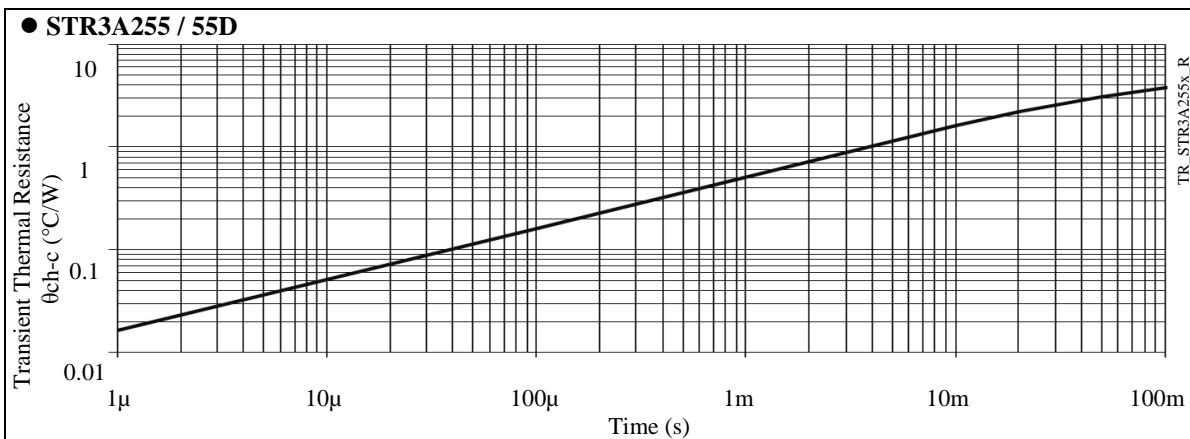
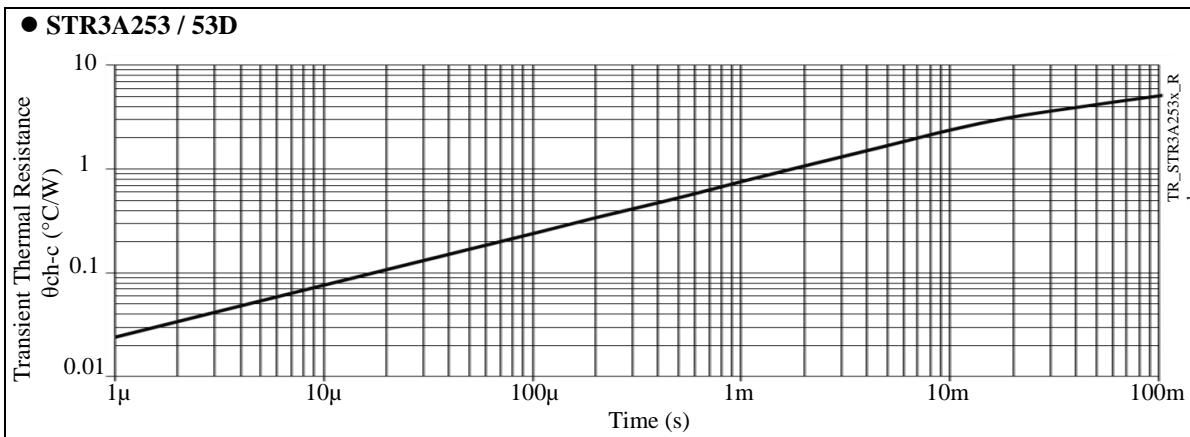
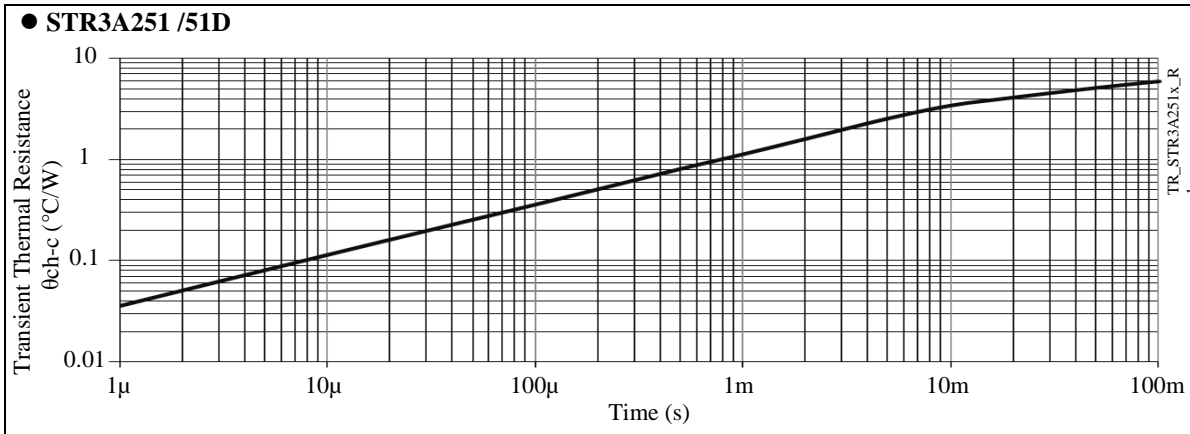


**3.3 Ambient Temperature versus Power Dissipation Curves**



# STR3A200 Series

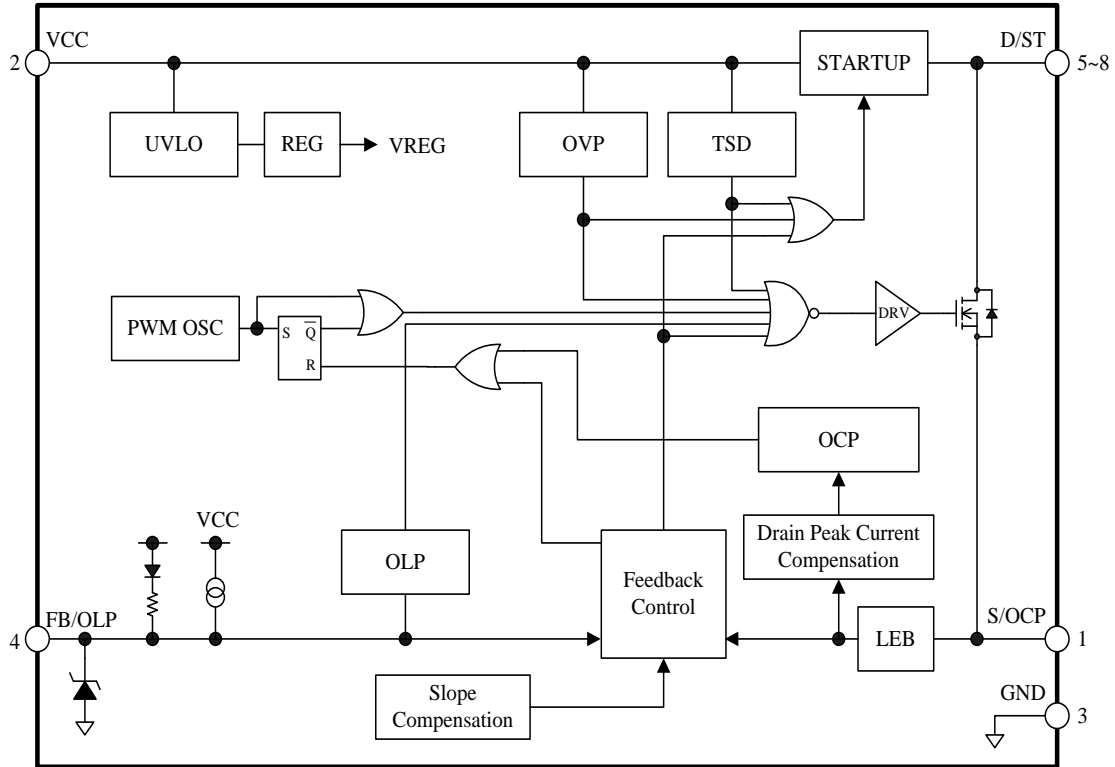
## 3.4 Transient Thermal Resistance Curves





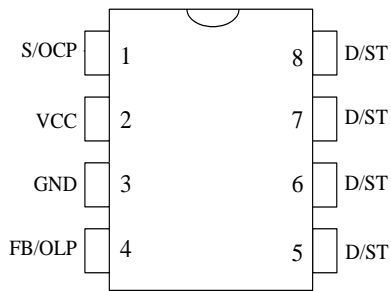
# STR3A200 Series

## 4. Block Diagram



BD\_STR3A200\_R1

## 5. Pin Configuration Definitions

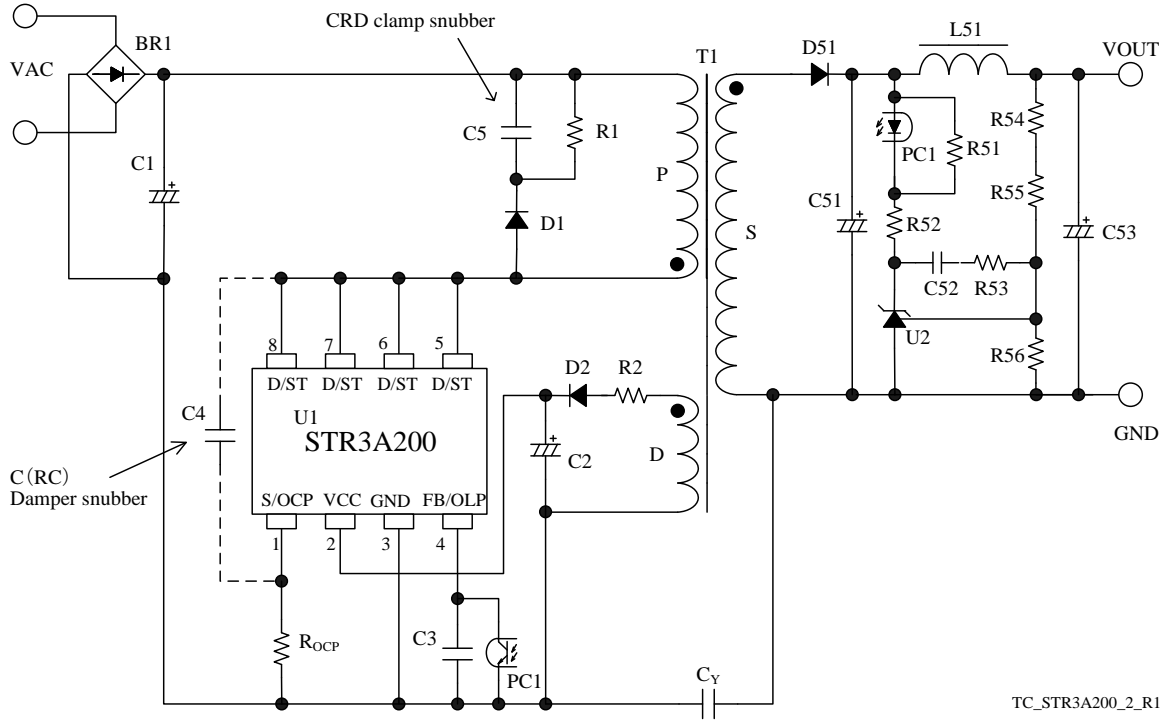


Pin	Name	Descriptions
1	S/OC	MOSFET source and input of Overcurrent Protection (OCP) signal
2	VCC	Power supply voltage input for control part and input of Overvoltage Protection (OVP) signal
3	GND	Ground
4	FB/OLP	Input of constant voltage control signal and input of Overload Protection (OLP) signal
5	D/ST	MOSFET drain and input of startup current
6		
7		
8		

**6. Typical Application**

The PCB traces of the D/ST pins should be as wide as possible, in order to enhance thermal dissipation.

In applications having a power supply specified such that VDS has large transient surge voltages, a clamp snubber circuit of a capacitor-resistor-diode (CRD) combination should be added on the primary winding P, or a damper snubber circuit of a capacitor (C) or a resistor-capacitor (RC) combination should be added between the D/ST pin and the S/OCP pin.



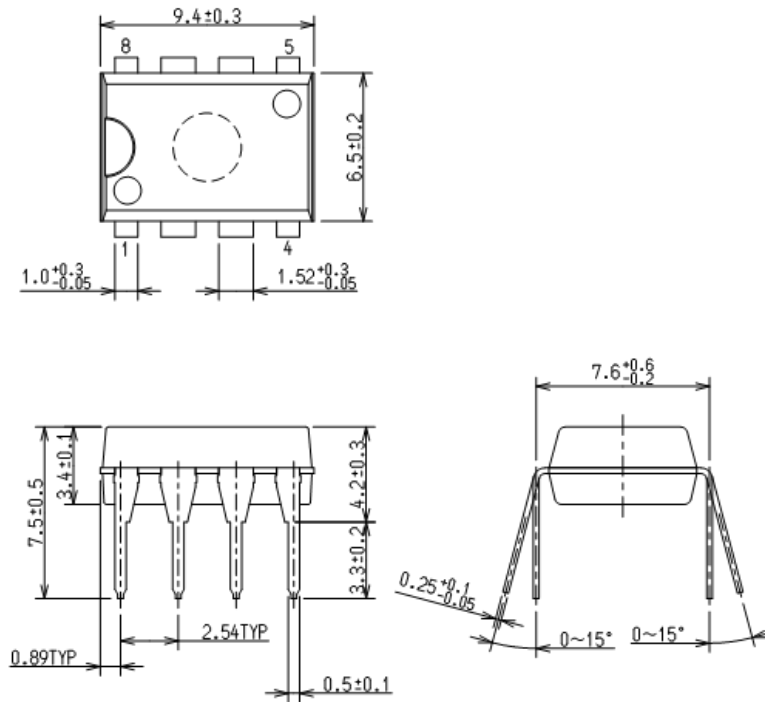
TC\_STR3A200\_2\_R1

Figure 6-1 Typical application

# STR3A200 Series

## 7. External Dimensions

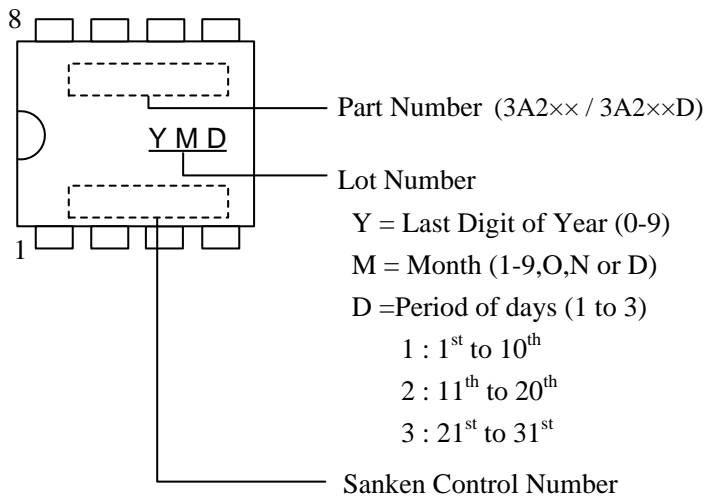
- DIP8



### NOTES:

- Dimension is in millimeters
- Pb-free. Device composition compliant with the RoHS directive

## 8. Marking Diagram



9. Operational Description

- All of the parameter values used in these descriptions are typical values, unless they are specified as minimum or maximum.
- With regard to current direction, "+" indicates sink current (toward the IC) and "-" indicates source current (from the IC).

9.1 Startup Operation

Figure 9-1 shows the circuit around the VCC pin.

The IC incorporates the startup circuit. The circuit is connected to D/ST pin. When the D/ST pin voltage reaches to Startup Circuit Operation Voltage  $V_{ST(ON)} = 47\text{ V}$ , the startup circuit starts operation. During the startup process, the constant current,  $I_{CC(ST)} = -2.5\text{ mA}$ , charges C2 at the VCC pin. When VCC pin voltage increases to  $V_{CC(ON)} = 15.0\text{ V}$ , the control circuit starts switching operation. During the IC operation, the voltage rectified the auxiliary winding voltage,  $V_D$ , of Figure 9-1 becomes a power source to the VCC pin. After switching operation begins, the startup circuit turns off automatically so that its current consumption becomes zero.

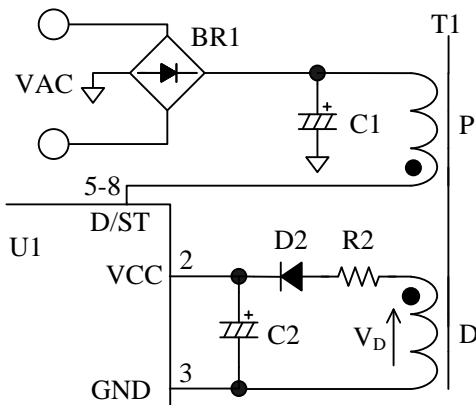


Figure 9-1 VCC pin peripheral circuit

The approximate value of auxiliary winding voltage is about 18V, taking account of the winding turns of D winding so that the VCC pin voltage becomes Equation (1) within the specification of input and output voltage variation of power supply.

$$V_{CC(BIAS)}(\text{max.}) < V_{CC} < V_{CC(OVP)}(\text{min.})$$

$$\Rightarrow 10.5\text{ (V)} < V_{CC} < 27.0\text{ (V)} \quad (1)$$

The startup time of the IC is determined by C2 capacitor value. The approximate startup time  $t_{START}$  is calculated as follows:

$$t_{START} = C2 \times \frac{V_{CC(ON)} - V_{CC(INT)}}{|I_{CC(ST)}|} \quad (2)$$

Where,

$t_{START}$  : Startup time of the IC (s)

$V_{CC(INT)}$  : Initial voltage on the VCC pin (V)

9.2 Undervoltage Lockout (UVLO)

Figure 9-2 shows the relationship of the VCC pin voltage and circuit current  $I_{CC}$ . When VCC pin voltage decreases to  $V_{CC(OFF)} = 8.5\text{ V}$ , the control circuit stops operation by UVLO (Undervoltage Lockout) circuit, and reverts to the state before startup.

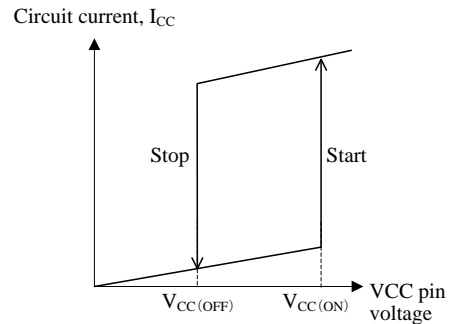


Figure 9-2 Relationship between VCC pin voltage and  $I_{CC}$

9.3 Bias Assist Function

By the Bias Assist Function, the startup failure is prevented and the latched state is kept.

The Bias Assist Function is activated in the following condition. Where,  $V_{FB(OFF)}$  is the FB/OLP Pin Oscillation Stop Threshold Voltage,  $V_{CC(BIAS)}$  is the Startup Current Biasing Threshold Voltage.

- Auto restart type (STR3A2××D)  
When FB pin voltage is  $V_{FB(OFF)}$  or less and VCC pin voltage decreases to  $V_{CC(BIAS)} = 9.6\text{ V}$ , the Bias Assist Function is activated.
- Latched shutdown type (STR3A2××)  
When VCC pin voltage decreases to  $V_{CC(BIAS)} = 9.6\text{ V}$  in the following condition, the Bias Assist Function is activated.  
FB pin voltage is  $V_{FB(OFF)}$  or less  
or the IC is in the latched state due to activating the protection function.

When the Bias Assist Function is activated, the VCC pin voltage is kept almost constant voltage,  $V_{CC(BIAS)}$  by providing the startup current,  $I_{CC(ST)}$ , from the startup circuit. Thus, the VCC pin voltage is kept more than  $V_{CC(OFF)}$ .

Since the startup failure is prevented by the Bias Assist Function, the value of C2 connected to the VCC pin can be small. Thus, the startup time and the response time of the Overvoltage Protection (OVP) become shorter.

The operation of the Bias Assist Function in startup is as follows. It is necessary to check and adjust the startup process based on actual operation in the application, so that poor starting conditions may be avoided.

Figure 9-3 shows the VCC pin voltage behavior during the startup period.

After the VCC pin voltage increases to  $V_{CC(ON)} = 15.0$  V at startup, the IC starts the operation. Then circuit current increases and the VCC pin voltage decreases. At the same time, the auxiliary winding voltage,  $V_D$ , increases in proportion to output voltage. These are all balanced to produce the VCC pin voltage.

When the VCC pin voltage is decrease to  $V_{CC(OFF)} = 8.5$  V in startup operation, the IC stops switching operation and a startup failure occurs.

When the output load is light at startup, the output voltage may become more than the target voltage due to the delay of feedback circuit. In this case, the FB pin voltage is decreased by the feedback control. When the FB pin voltage decreases to  $V_{FB(OFF)}$  or less, the IC stops switching operation and the VCC pin voltage decreases. When the VCC pin voltage decreases to  $V_{CC(BIAS)}$ , the Bias Assist function is activated and the startup failure is prevented.

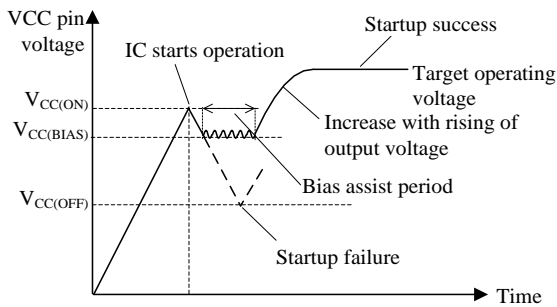


Figure 9-3 VCC pin voltage during startup period

9.4 Soft Start Function

Figure 9-4 shows the behavior of VCC pin voltage and drain current during the startup period.

The IC activates the soft start circuitry during the startup period. Soft start time is fixed to around 8.75 ms. during the soft start period, overcurrent threshold is increased step-wisely (7 steps). This function reduces the voltage and the current stress of a power MOSFET and the secondary side rectifier diode.

Since the Leading Edge Blanking Function (refer to Section 9.6) is deactivated during the soft start period, there is the case that ON time is less than the leading edge blanking time,  $t_{BW} = 330$  ns.

After the soft start period, D/ST pin current,  $I_D$ , is limited by the Overcurrent Protection (OCP), until the output voltage increases to the target operating voltage. This period is given as  $t_{LIM}$ . In case  $t_{LIM}$  is longer than the OLP Delay Time,  $t_{OLP}$ , the output power is limited by the Overload Protection (OLP) operation. Thus, it is necessary to adjust the value of output capacitor and the turn ratio of auxiliary winding D so that the  $t_{LIM}$  is less than  $t_{OLP} = 55$  ms (min.).

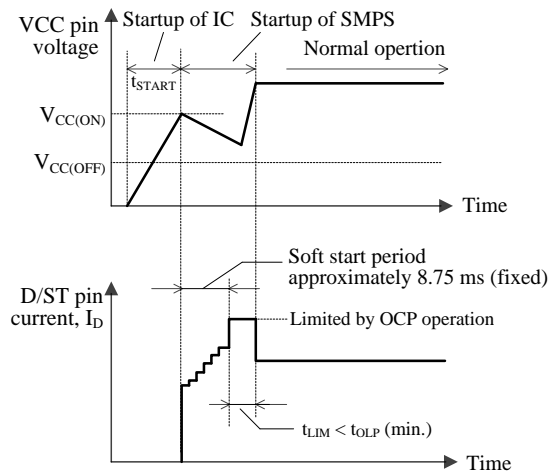


Figure 9-4  $V_{CC}$  and  $I_D$  behavior during startup

9.5 Constant Output Voltage Control

The IC achieves the constant voltage control of the power supply output by using the current-mode control method, which enhances the response speed and provides the stable operation.

The FB/OLP pin voltage is internally added the slope compensation at the feedback control (refer to Section 4.Block Diagram), and the target voltage,  $V_{SC}$ , is generated. The IC compares the voltage,  $V_{ROCP}$ , of a current detection resistor with the target voltage,  $V_{SC}$ , by the internal FB comparator, and controls the peak value of  $V_{ROCP}$  so that it gets close to  $V_{SC}$ , as shown in Figure 9-5 and Figure 9-6.

- Light load conditions

When load conditions become lighter, the output voltage,  $V_{OUT}$ , increases. Thus, the feedback current from the error amplifier on the secondary-side also increases. The feedback current is sunk at the FB/OLP pin, transferred through a photo-coupler, PC1, and the FB/OLP pin voltage decreases. Thus,  $V_{SC}$  decreases, and the peak value of  $V_{ROCP}$  is controlled to be low, and the peak drain current of  $I_D$  decreases.

This control prevents the output voltage from

increasing.

- Heavy load conditions

When load conditions become greater, the IC performs the inverse operation to that described above. Thus,  $V_{SC}$  increases and the peak drain current of  $I_D$  increases.

This control prevents the output voltage from decreasing.

In the current mode control method, when the drain current waveform becomes trapezoidal in continuous operating mode, even if the peak current level set by the target voltage is constant, the on-time fluctuates based on the initial value of the drain current.

This results in the on-time fluctuating in multiples of the fundamental operating frequency as shown in Figure 9-7. This is called the subharmonics phenomenon.

In order to avoid this, the IC incorporates the Slope Compensation Function. Because the target voltage is added a down-slope compensation signal, which reduces the peak drain current as the on-duty gets wider relative to the FB/OLP pin signal to compensate  $V_{SC}$ , the subharmonics phenomenon is suppressed.

Even if subharmonic oscillations occur when the IC has some excess supply being out of feedback control, such as during startup and load shorted, this does not affect performance of normal operation.

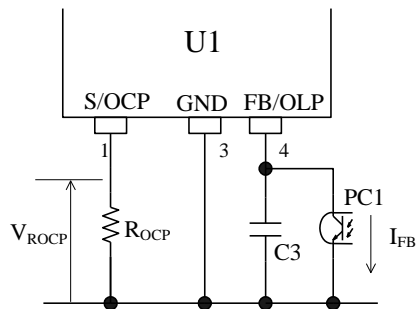


Figure 9-5 FB/OLP pin peripheral circuit

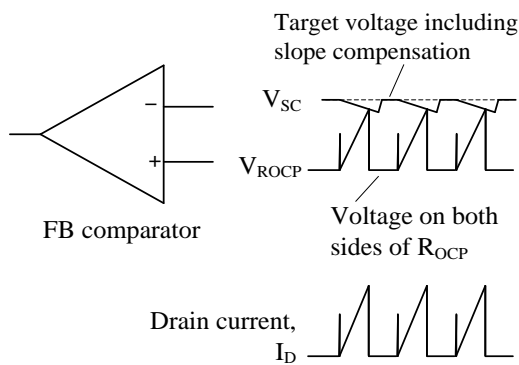


Figure 9-6 Drain current,  $I_D$ , and FB comparator operation in steady operation

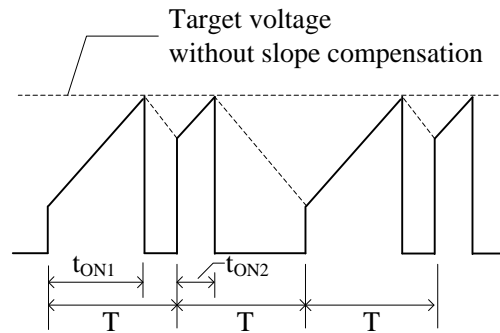


Figure 9-7 Drain current,  $I_D$ , waveform in subharmonic oscillation

## 9.6 Leading Edge Blanking Function

The constant voltage control of output of the IC uses the peak-current-mode control method.

In peak-current-mode control method, there is a case that the power MOSFET turns off due to unexpected response of a FB comparator or Overcurrent Protection (OCP) circuit to the steep surge current in turning on a power MOSFET.

In order to prevent this response to the surge voltage in turning-on the power MOSFET, the Leading Edge Blanking Time,  $t_{BW} = 330 \text{ ns}$  is built-in. During  $t_{BW}$ , the OCP threshold voltage becomes  $V_{OCP(LEB)} = 1.69 \text{ V}$  which is higher than the normal OCP threshold voltage in order not to respond to the turn-on drain current surge (refer to Section 9.9).

## 9.7 Random Switching Function

The IC modulates its switching frequency randomly by superposing the modulating frequency on  $f_{OSC(AVG)}$  in normal operation. This function reduces the conduction noise compared to others without this function, and simplifies noise filtering of the input lines of power supply.

## 9.8 Automatic Standby Mode Function

Automatic standby mode is activated automatically when FB/OLP pin voltage decreases to  $V_{FB(OFF)}$ .

The operation mode becomes burst oscillation, as shown in Figure 9-8.

Burst oscillation mode reduces switching losses and improves power supply efficiency because of periodic non-switching intervals.

Generally, in order to improve efficiency under light load conditions, the frequency of the burst oscillation mode becomes just a few kilohertz. Because the IC suppresses the peak drain current well during burst oscillation mode, audible noises can be reduced.

If VCC pin voltage decreases to  $V_{CC(BIAS)} = 9.6 \text{ V}$

during the transition to the burst oscillation mode, the Bias Assist Function is activated and stabilizes the Standby mode operation, because the Startup Current,  $I_{CC(ST)}$  is provided to the VCC pin so that the VCC pin voltage does not decrease to  $V_{CC(OFF)}$ .

However, if the Bias Assist Function is always activated during steady-state operation including standby mode, the power loss increases. Therefore, the VCC pin voltage should be more than  $V_{CC(BIAS)}$ , for example, by adjusting the turns ratio of the auxiliary winding and the secondary-side winding and/or reducing the value of R2 in Figure 10-2 (refer to Section 10.1)

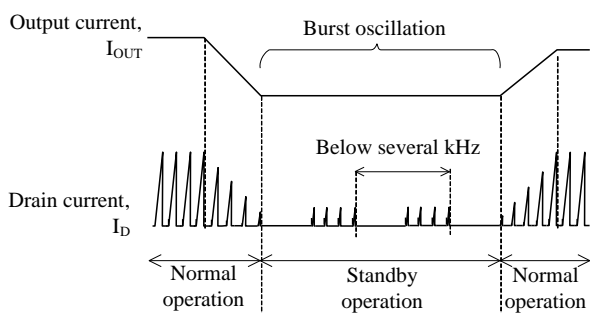


Figure 9-8 Auto Standby mode timing

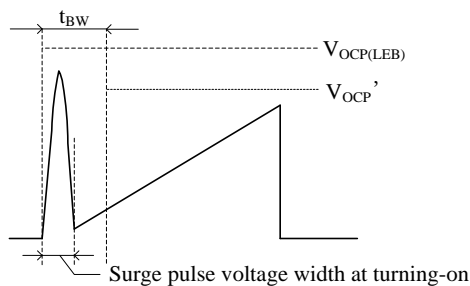


Figure 9-9 S/OCP pin voltage

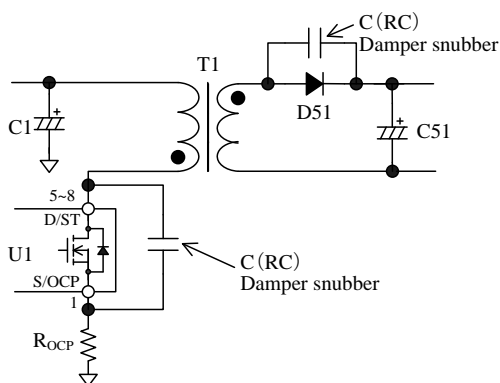


Figure 9-10 Damper snubber

## 9.9 Overcurrent Protection (OCP)

### 9.9.1 OCP Operation

Overcurrent Protection (OCP) detects each drain peak current level of a power MOSFET on pulse-by-pulse basis, and limits the output power when the current level reaches to OCP threshold voltage.

During Leading Edge Blanking Time, the OCP threshold voltage becomes  $V_{OCP(LEB)} = 1.69\text{ V}$  which is higher than the normal OCP threshold voltage as shown in Figure 9-9. Changing to this threshold voltage prevents the IC from responding to the surge voltage in turning-on the power MOSFET. This function operates as protection at the condition such as output windings shorted or unusual withstand voltage of secondary-side rectifier diodes.

When the power MOSFET turns on, the surge voltage width of the S/OCP pin should be less than  $t_{BW}$ , as shown in Figure 9-9. In order to prevent surge voltage, pay extra attention to  $R_{OCP}$  trace layout (refer to Section 10.2). In addition, if a C (RC) damper snubber of Figure 9-10 is used, reduce the capacitor value of damper snubber.

### 9.9.2 OCP Input Compensation Function

ICs with PWM control usually have some propagation delay time. The steeper the slope of the actual drain current at a high AC input voltage is, the larger the detection voltage of actual drain peak current is, compared to  $V_{OCP}$ . Thus, the peak current has some variation depending on AC input voltage in OCP state. In order to reduce the variation of peak current in OCP state, the IC has Input Compensation Function.

This function corrects OCP threshold voltage depending on AC input voltage, as shown in Figure 9-11.

When AC input voltage is low (ON Duty is broad), the OCP threshold voltage is controlled to become high. The difference of peak drain current become small compared with the case where the AC input voltage is high (ON Duty is narrow).

The compensation signal depends on ON Duty. The relation between the ON Duty and the OCP threshold voltage after compensation  $V_{OCP'}$  is expressed as Equation (3). When ON Duty is broader than 36 %, the  $V_{OCP'}$  becomes a constant value  $V_{OCP(H)} = 0.888\text{ V}$



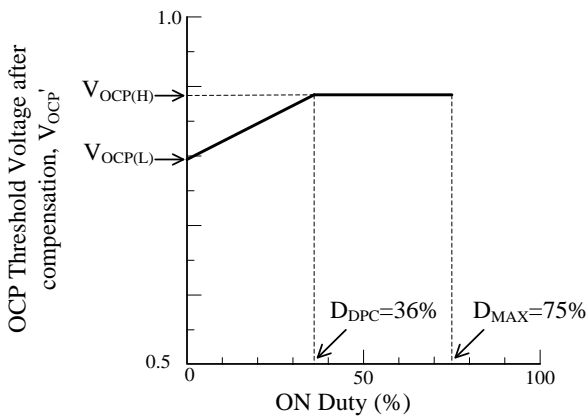


Figure 9-11 Relationship between ON Duty and Drain Current Limit after compensation

$$\begin{aligned}
 V_{OCP}' &= V_{OCP(L)} + DPC \times ONTime \\
 &= V_{OCP(L)} + DPC \times \frac{ONDuty}{f_{OSC(AVG)}} \quad (3)
 \end{aligned}$$

Where,

- $V_{OCP(L)}$ : OCP Threshold Voltage at Zero ON Duty (V)
- DPC: OCP Compensation Coefficient (mV/ $\mu$ s)
- ONTime: On-time of power MOSFET ( $\mu$ s)
- ONDuty: On duty of power MOSFET (%)
- $f_{OSC(AVG)}$ : Average PWM Switching Frequency (kHz)

### 9.10 Overload Protection (OLP)

Figure 9-12 shows the FB/OLP pin peripheral circuit, and Figure 9-13 shows each waveform for Overload Protection (OLP) operation.

When the peak drain current of  $I_D$  is limited by Overcurrent Protection operation, the output voltage,  $V_{OUT}$ , decreases and the feedback current from the secondary photo-coupler becomes zero. Thus, the feedback current,  $I_{FB}$ , charges C3 connected to the FB/OLP pin and FB/OLP pin voltage increases. When the FB/OLP pin voltage increases to  $V_{FB(OLP)} = 7.3$  V or more for the OLP delay time,  $t_{OLP} = 75$  ms or more, the OLP is activated, the IC stops switching operation.

During OLP operation, Bias Assist Function is disabled. Thus, VCC pin voltage decreases to  $V_{CC(OFF)}$ , the control circuit stops operation. After that, the IC reverts to the initial state by UVLO circuit, and the IC starts operation when VCC pin voltage increases to  $V_{CC(ON)}$  by startup current. Thus the intermittent operation by UVLO is repeated in OLP state.

This intermittent operation reduces the stress of parts such as a power MOSFET and secondary side rectifier diodes. In addition, this operation reduces power consumption because the switching period in this

intermittent operation is short compared with oscillation stop period. When the abnormal condition is removed, the IC returns to normal operation automatically.

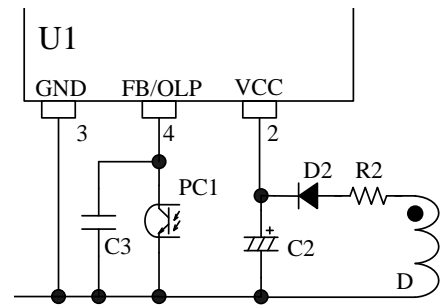


Figure 9-12 FB/OLP pin peripheral circuit

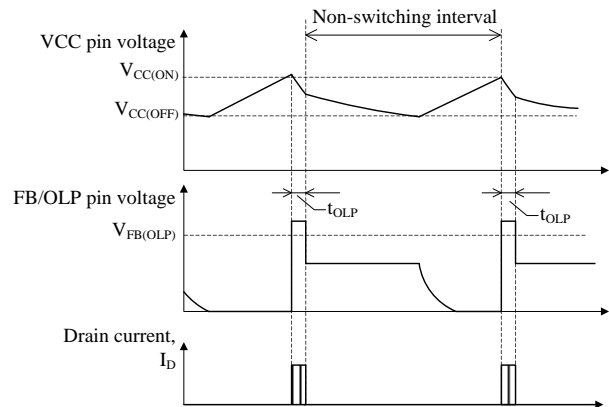


Figure 9-13 OLP operational waveforms

### 9.11 Overvoltage Protection (OVP)

When a voltage between the VCC pin and the GND pin increases to  $V_{CC(OVP)} = 29.1$  V or more, Overvoltage Protection (OVP) is activated. The IC has two operation types of OVP. One is the latched shutdown. The other is the auto restart.

When VCC pin voltage is provided by using auxiliary winding of transformer, the VCC pin voltage is proportional to output voltage. Thus, the VCC pin can detect the overvoltage conditions such as output voltage detection circuit open. The approximate value of the output voltage  $V_{OUT(OVP)}$  in OVP condition is calculated by using Equation (4).

$$V_{OUT(OVP)} = \frac{V_{OUT(NORMAL)}}{V_{CC(NORMAL)}} \times 29.1 \text{ (V)} \quad (4)$$

Where,

- $V_{OUT(NORMAL)}$ : Output voltage in normal operation
- $V_{CC(NORMAL)}$ : VCC pin voltage in normal operation



**9.11.1 Latched Shutdown type (STR3A2××)**

When the OVP is activated, the IC stops switching operation at the latched state. In order to keep the latched state, when VCC pin voltage decreases to  $V_{CC(BIAS)}$ , the Bias Assist Function is activated and VCC pin voltage is kept to over the  $V_{CC(OFF)}$ . Releasing the latched state is done by turning off the input voltage and by dropping the VCC pin voltage below  $V_{CC(OFF)}$ .

**9.11.2 Auto Restart Type (STR3A2××D)**

When the OVP is activated, the IC stops switching operation. During OVP operation, the Bias Assist Function is disabled, the intermittent operation by UVLO is repeated (refer to Section 9.10). When the fault condition is removed, the IC returns to normal operation automatically (refer to Figure 9-14).

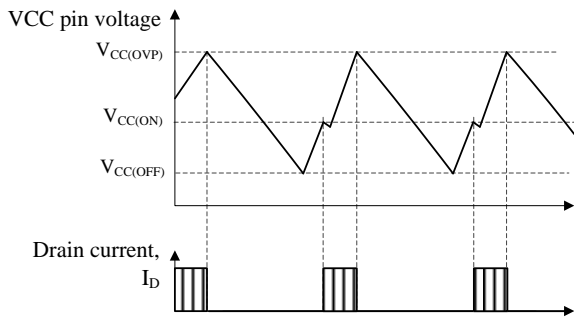


Figure 9-14 OVP operational waveforms

**9.12 Thermal Shutdown (TSD)**

When the temperature of control circuit increases to  $T_{j(TSD)} = 145\text{ °C}$  or more, Thermal Shutdown (TSD) is activated. The IC has two operation types of TSD. One is latched shutdown, the other is auto restart.

**9.12.1 Latched Shutdown type (STR3A2××)**

When the TSD is activated, the IC stops switching operation at the latched state. In order to keep the latched state, when VCC pin voltage decreases to  $V_{CC(BIAS)}$ , the Bias Assist Function is activated and VCC pin voltage is kept to over the  $V_{CC(OFF)}$ . Releasing the latched state is done by turning off the input voltage and by dropping the VCC pin voltage below  $V_{CC(OFF)}$ .

**9.12.2 Auto Restart Type (STR3A2××D)**

Figure 9-15 shows the TSD operational waveforms.

When Thermal Shutdown (TSD) is activated, and the IC stops switching operation. After that, VCC pin voltage decreases. When the VCC pin voltage decreases

to  $V_{CC(BIAS)}$ , the Bias Assist Function is activated and the VCC pin voltage is kept to over the  $V_{CC(OFF)}$ .

When the temperature reduces to less than  $T_{j(TSD)} - T_{j(TSD)HYS}$ , the Bias Assist Function is disabled and the VCC pin voltage decreases to  $V_{CC(OFF)}$ . At that time, the IC stops operation and reverts to the state before startup. After that, the startup circuit is activated, the VCC pin voltage increases to  $V_{CC(ON)}$ , and the IC starts switching operation again.

In this way, the intermittent operation by the TSD and the UVLO is repeated while there is an excess thermal condition. When the fault condition is removed, the IC returns to normal operation automatically.

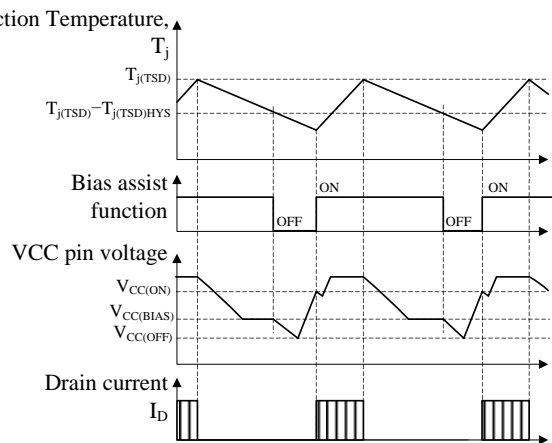


Figure 9-15 TSD operational waveforms

**10. Design Notes**

**10.1 External Components**

Take care to use properly rated, including derating as necessary and proper type of components.

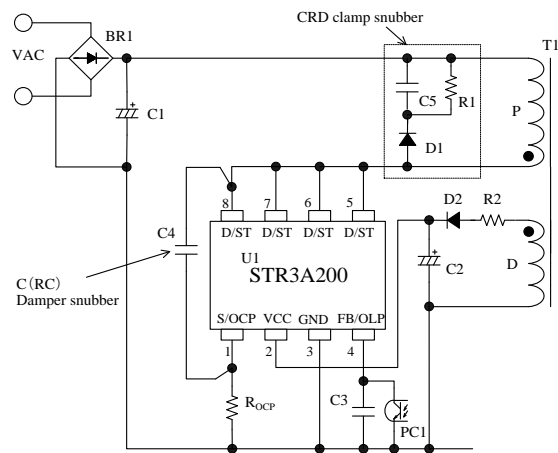


Figure 10-1 The IC peripheral circuit

• **Input and Output Electrolytic Capacitor**

Apply proper derating to ripple current, voltage, and temperature rise. Use of high ripple current and low impedance types, designed for switch mode power supplies, is recommended.

• **S/OCP Pin Peripheral Circuit**

In Figure 10-1,  $R_{OCP}$  is the resistor for the current detection. A high frequency switching current flows to  $R_{OCP}$ , and may cause poor operation if a high inductance resistor is used. Choose a low inductance and high surge-tolerant type.

• **VCC Pin Peripheral Circuit**

The value of  $C2$  in Figure 10-1 is generally recommended to be  $10\ \mu\text{F}$  to  $47\ \mu\text{F}$  (refer to Section 9.1 Startup Operation, because the startup time is determined by the value of  $C2$ )

In actual power supply circuits, there are cases in which the VCC pin voltage fluctuates in proportion to the output current,  $I_{OUT}$  (see Figure 10-2), and the Overvoltage Protection (OVP) on the VCC pin may be activated. This happens because  $C2$  is charged to a peak voltage on the auxiliary winding D, which is caused by the transient surge voltage coupled from the primary winding when the power MOSFET turns off. For alleviating  $C2$  peak charging, it is effective to add some value  $R2$ , of several tenths of ohms to several ohms, in series with  $D2$  (see Figure 10-1). The optimal value of  $R2$  should be determined using a transformer matching what will be used in the actual application, because the variation of the auxiliary winding voltage is affected by the transformer structural design.

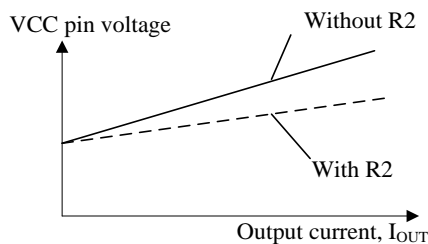


Figure 10-2 Variation of VCC pin voltage and power

• **FB/OLP Pin Peripheral Circuit**

$C3$  (see Figure 10-1) is for high frequency noise rejection and phase compensation, and should be connected close to the FB/OLP pin and the GND pin. The value of  $C3$  is recommended to be about  $2200\ \text{pF}$  to  $0.01\ \mu\text{F}$ , and should be selected based on actual operation in the application.

• **Snubber Circuit**

If the surge voltage of  $V_{DS}$  is large, the circuit should be added as follows (see Figure 10-1);

• A clamp snubber circuit of a capacitor-resistor-diode (CRD) combination should be added on the primary winding P.

• A damper snubber circuit of a capacitor ( $C$ ) or a resistor-capacitor ( $RC$ ) combination should be added between the D/ST pin and the S/GND pin.

In case the damper snubber circuit is added, this components should be connected near D/ST pin and S/OCP pin.

• **Peripheral circuit of secondary side shunt regulator**

Figure 10-3 shows the secondary side detection circuit with the standard shunt regulator IC ( $U1$ ).

$C52$  and  $R53$  are for phase compensation. The value of  $C52$  and  $R53$  are recommended to be around  $0.047\ \mu\text{F}$  to  $0.47\ \mu\text{F}$  and  $4.7\ \text{k}\Omega$  to  $470\ \text{k}\Omega$ , respectively. They should be selected based on actual operation in the application.

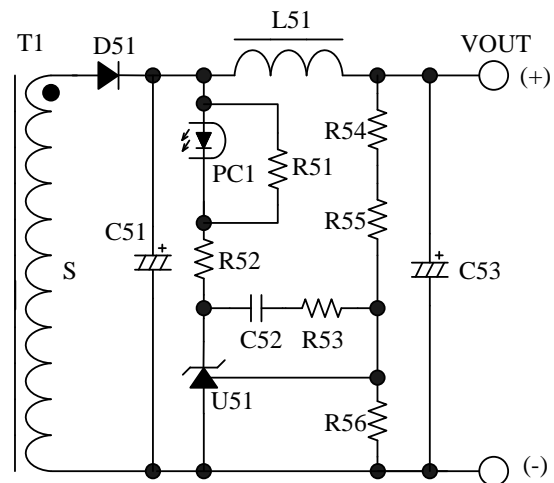


Figure 10-3 Peripheral circuit of secondary side shunt regulator ( $U1$ )

## • Transformer

Apply proper design margin to core temperature rise by core loss and copper loss.

Because the switching currents contain high frequency currents, the skin effect may become a consideration.

Choose a suitable wire gauge in consideration of the RMS current and a current density of 4 to 6 A/mm<sup>2</sup>.

If measures to further reduce temperature are still necessary, the following should be considered to increase the total surface area of the wiring:

- Increase the number of wires in parallel.
- Use litz wires.
- Thicken the wire gauge.

In the following cases, the surge of VCC pin voltage becomes high.

- The surge voltage of primary main winding, P, is high (low output voltage and high output current power supply designs)
- The winding structure of auxiliary winding, D, is susceptible to the noise of winding P.

When the surge voltage of winding D is high, the VCC pin voltage increases and the Overvoltage Protection (OVP) may be activated. In transformer design, the following should be considered;

- The coupling of the winding P and the secondary output winding S should be maximized to reduce the leakage inductance.
- The coupling of the winding D and the winding S should be maximized.
- The coupling of the winding D and the winding P should be minimized.

In the case of multi-output power supply, the coupling of the secondary-side stabilized output winding, S1, and the others (S2, S3···) should be maximized to improve the line-regulation of those outputs.

Figure 10-4 shows the winding structural examples of two outputs.

Winding structural example (a):

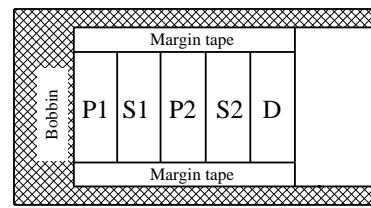
S1 is sandwiched between P1 and P2 to maximize the coupling of them for surge reduction of P1 and P2.

D is placed far from P1 and P2 to minimize the coupling to the primary for the surge reduction of D.

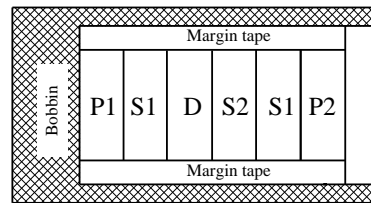
Winding structural example (b)

P1 and P2 are placed close to S1 to maximize the coupling of S1 for surge reduction of P1 and P2.

D and S2 are sandwiched by S1 to maximize the coupling of D and S1, and that of S1 and S2. This structure reduces the surge of D, and improves the line-regulation of outputs.



Winding structural example (a)



Winding structural example (b)

Figure 10-4 Winding structural examples

## 10.2 PCB Trace Layout and Component Placement

Since the PCB circuit trace design and the component layout significantly affects operation, EMI noise, and power dissipation, the high frequency PCB trace should be low impedance with small loop and wide trace.

In addition, the ground traces affect radiated EMI noise, and wide, short traces should be taken into account.

Figure 10-5 shows the circuit design example.

### (1) Main Circuit Trace Layout:

This is the main trace containing switching currents, and thus it should be as wide trace and small loop as possible.

If C1 and the IC are distant from each other, placing a capacitor such as film capacitor (about 0.1 μF and with proper voltage rating) close to the transformer or the IC is recommended to reduce impedance of the high frequency current loop.

### (2) Control Ground Trace Layout

Since the operation of IC may be affected from the large current of the main trace that flows in control ground trace, the control ground trace should be separated from main trace and connected at a single point grounding of point A in Figure 10-5 as close to the R<sub>OCF</sub> pin as possible.

### (3) VCC Trace Layout:

This is the trace for supplying power to the IC, and thus it should be as small loop as possible. If C2 and the IC are distant from each other, placing a capacitor such as film capacitor C<sub>f</sub> (about 0.1 μF to 1.0 μF) close to the VCC pin and the GND pin is recommended.

## STR3A200 Series

### (4) $R_{OCP}$ Trace Layout

$R_{OCP}$  should be placed as close as possible to the S/OLP pin. The connection between the power ground of the main trace and the IC ground should be at a single point ground (point A in Figure 10-5) which is close to the base of  $R_{OCP}$ .

### (5) FB/OLP Trace Layout

The components connected to FB/OLP pin should be as close to FB/OLP pin as possible. The trace between the components and FB/OLP pin should be as short as possible.

### (6) Secondary Rectifier Smoothing Circuit Trace Layout:

This is the trace of the rectifier smoothing loop,

carrying the switching current, and thus it should be as wide trace and small loop as possible. If this trace is thin and long, inductance resulting from the loop may increase surge voltage at turning off the power MOSFET. Proper rectifier smoothing trace layout helps to increase margin against the power MOSFET breakdown voltage, and reduces stress on the clamp snubber circuit and losses in it.

### (7) Thermal Considerations

Because the power MOSFET has a positive thermal coefficient of  $R_{DS(ON)}$ , consider it in thermal design. Since the copper area under the IC and the D/ST pin trace act as a heatsink, its traces should be as wide as possible.

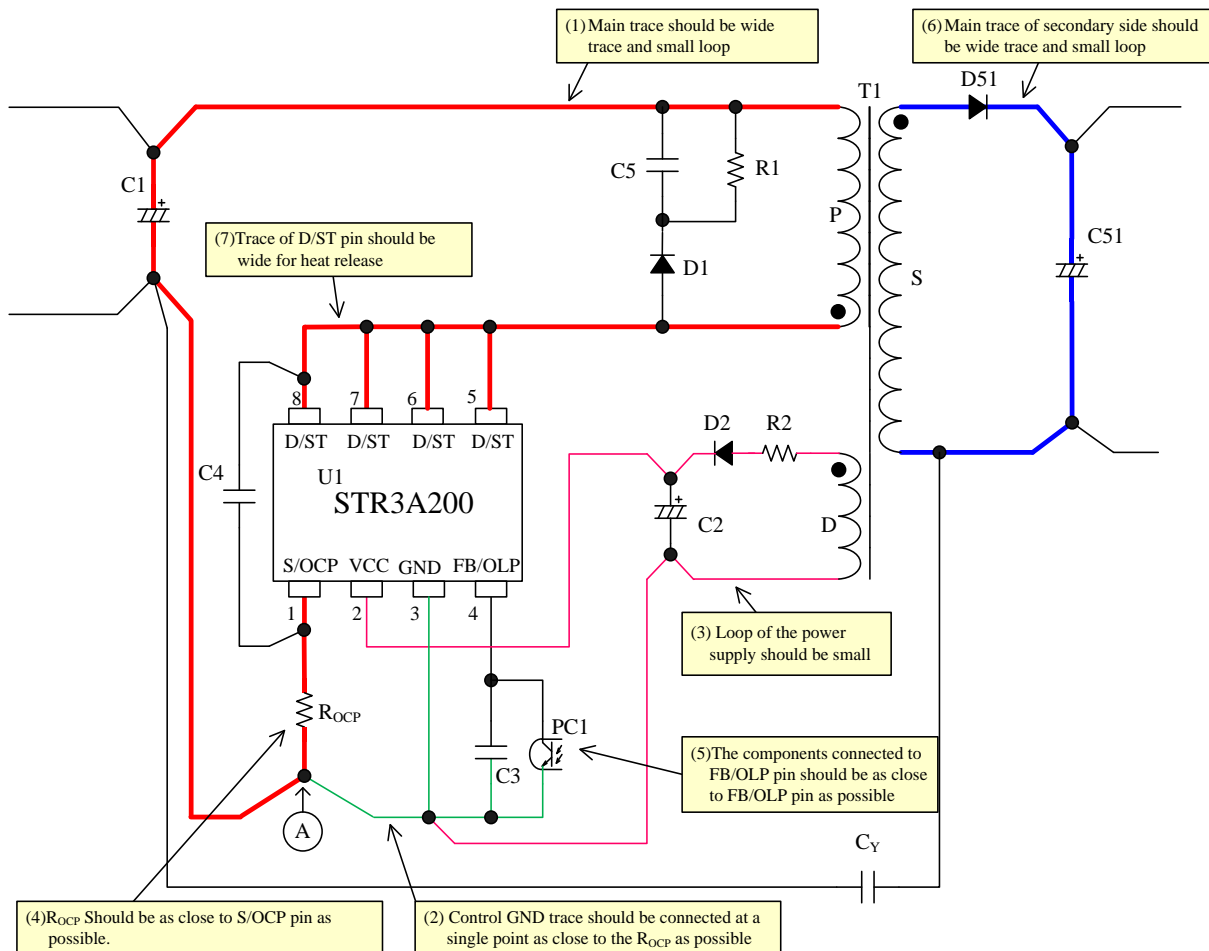


Figure 10-5 Peripheral circuit example around the IC



## STR3A200 Series

### 12. Reference Design of Power Supply

As an example, the following show the power supply specification, the circuit schematic, the bill of materials, and the transformer specification.

- Power supply specification

IC	STR3A255
Input voltage	AC85V to AC265V
Maximum output power	34.8 W (40.4 W peak)
Output 1	8 V / 0.5 A
Output 2	14 V / 2.2 A (2.6 A peak)

- Circuit schematic

Refer to Figure 11-2

- Bill of materials

Symbol	Part type	Ratings <sup>(1)</sup>	Recommended Sanken Parts	Symbol	Part type	Ratings <sup>(1)</sup>	Recommended Sanken Parts
F1	Fuse	AC 250 V, 3 A		L51	Inductor	Short	
L1 <sup>(2)</sup>	CM inductor	3.3 mH		L52	Inductor	Short	
TH1 <sup>(2)</sup>	NTC thermistor	Short		D51	Schottky	90 V, 1.5 A	EK19
D1	General	600 V, 1 A	EM01A	D52	Schottky	150V, 10A	FMEN-210B
D2	General	600 V, 1 A	EM01A	C51 <sup>(2)</sup>	Electrolytic	680 μF, 25 V	
D3	General	600 V, 1 A	EM01A	C52 <sup>(2)</sup>	Ceramic	0.1 μF, 50 V	
D4	General	600 V, 1 A	EM01A	C53 <sup>(2)</sup>	Electrolytic	680 μF, 25 V	
D5	General	800 V, 1.2 A	SARS01	C54	Electrolytic	470 μF, 16 V	
D6	Fast recovery	200 V, 1 A	AL01Z	C55 <sup>(2)</sup>	Electrolytic	Open	
C1 <sup>(2)</sup>	Film, X2	0.1 μF, 275 V		C56 <sup>(2)</sup>	Ceramic	Open	
C2 <sup>(2)</sup>	Electrolytic	Open		C57 <sup>(2)</sup>	Ceramic	Open	
C3	Electrolytic	150 μF, 400 V		R51	General	Open	
C4	Ceramic	1000 pF, 2 kV		R52	General	1.5 kΩ	
C5	Electrolytic	22 μF, 50 V		R53 <sup>(2)</sup>	General	47 kΩ	
C6 <sup>(2)</sup>	Ceramic	0.01 μF		R54	General	Open, 1%	
C7 <sup>(2)</sup>	Ceramic	Open		R55	General	Open, 1%	
C8 <sup>(2)</sup>	Ceramic	15 pF / 2 kV		R56	General	10 kΩ, 1%	
C9	Ceramic, Y1	2200 pF, 250 V		R57	General	Open	
C10 <sup>(2)</sup>	Ceramic	Open		R58	General	1 kΩ	
C11 <sup>(2)</sup>	Ceramic	Open		R59 <sup>(2)</sup>	General	6.8 kΩ	
R1 <sup>(3)</sup>	Metal oxide	330 kΩ, 1 W		R60	General	39 kΩ, 1%	
R2 <sup>(2)</sup>	General	10 Ω		R61	General	Open	
R3 <sup>(2)</sup>	General	0.47 Ω, 1/2 W		R62 <sup>(2)</sup>	General	Open	
R4 <sup>(2)</sup>	General	47 Ω, 1 W		R63 <sup>(2)</sup>	General	Open	
R5 <sup>(3)</sup>	Metal oxide	Open		JW51		Short	
PC1	Photo-coupler	PC123 or equiv		JW52		Short	
U1	IC	—	STR3A255	JW53		Short	
T1	Transformer	See the specification		U51	Shunt regulator	V <sub>REF</sub> = 2.5 V TL431 or equiv	

<sup>(1)</sup> Unless otherwise specified, the voltage rating of capacitor is 50 V or less and the power rating of resistor is 1/8 W or less.

<sup>(2)</sup> It is necessary to be adjusted based on actual operation in the application.

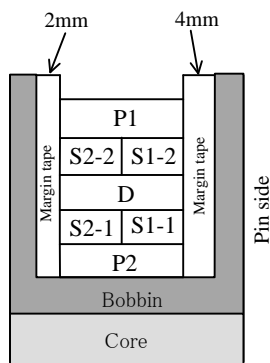
<sup>(3)</sup> Resistors applied high DC voltage and of high resistance are recommended to select resistors designed against electromigration or use combinations of resistors in series for that to reduce each applied voltage, according to the requirement of the application.

## STR3A200 Series

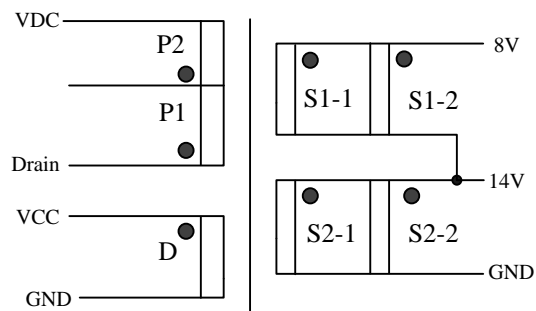
- Transformer specification

- Primary inductance,  $L_P$  : 518  $\mu\text{H}$
- Core size : EER-28
- Al-value : 245  $\text{nH/N}^2$  (Center gap of about 0.56 mm)
- Winding specification

Winding	Symbol	Number of turns (T)	Wire diameter (mm)	Construction
Primary winding	P1	18	$\phi 0.23 \times 2$	Single-layer, solenoid winding
Primary winding	P2	28	$\phi 0.30$	Single-layer, solenoid winding
Auxiliary winding	D	12	$\phi 0.30 \times 2$	Solenoid winding
Output 1 winding	S1-1	6	$\phi 0.4 \times 2$	Solenoid winding
Output 1 winding	S1-2	6	$\phi 0.4 \times 2$	Solenoid winding
Output 2 winding	S2-1	4	$\phi 0.4 \times 2$	Solenoid winding
Output 2 winding	S2-2	4	$\phi 0.4 \times 2$	Solenoid winding



Cross-section view



●: Start at this pin



### Important Notes

- All data, illustrations, graphs, tables and any other information included in this document (the “Information”) as to Sanken’s products listed herein (the “Sanken Products”) are current as of the date this document is issued. The Information is subject to any change without notice due to improvement of the Sanken Products, etc. Please make sure to confirm with a Sanken sales representative that the contents set forth in this document reflect the latest revisions before use.
- The Sanken Products are intended for use as components of general purpose electronic equipment or apparatus (such as home appliances, office equipment, telecommunication equipment, measuring equipment, etc.). Prior to use of the Sanken Products, please put your signature, or affix your name and seal, on the specification documents of the Sanken Products and return them to Sanken. When considering use of the Sanken Products for any applications that require higher reliability (such as transportation equipment and its control systems, traffic signal control systems or equipment, disaster/crime alarm systems, various safety devices, etc.), you must contact a Sanken sales representative to discuss the suitability of such use and put your signature, or affix your name and seal, on the specification documents of the Sanken Products and return them to Sanken, prior to the use of the Sanken Products. The Sanken Products are not intended for use in any applications that require extremely high reliability such as: aerospace equipment; nuclear power control systems; and medical equipment or systems, whose failure or malfunction may result in death or serious injury to people, i.e., medical devices in Class III or a higher class as defined by relevant laws of Japan (collectively, the “Specific Applications”). Sanken assumes no liability or responsibility whatsoever for any and all damages and losses that may be suffered by you, users or any third party, resulting from the use of the Sanken Products in the Specific Applications or in manner not in compliance with the instructions set forth herein.
- In the event of using the Sanken Products by either (i) combining other products or materials or both therewith or (ii) physically, chemically or otherwise processing or treating or both the same, you must duly consider all possible risks that may result from all such uses in advance and proceed therewith at your own responsibility.
- Although Sanken is making efforts to enhance the quality and reliability of its products, it is impossible to completely avoid the occurrence of any failure or defect or both in semiconductor products at a certain rate. You must take, at your own responsibility, preventative measures including using a sufficient safety design and confirming safety of any equipment or systems in/for which the Sanken Products are used, upon due consideration of a failure occurrence rate and derating, etc., in order not to cause any human injury or death, fire accident or social harm which may result from any failure or malfunction of the Sanken Products. Please refer to the relevant specification documents and Sanken’s official website in relation to derating.
- No anti-radioactive ray design has been adopted for the Sanken Products.
- The circuit constant, operation examples, circuit examples, pattern layout examples, design examples, recommended examples, all information and evaluation results based thereon, etc., described in this document are presented for the sole purpose of reference of use of the Sanken Products.
- Sanken assumes no responsibility whatsoever for any and all damages and losses that may be suffered by you, users or any third party, or any possible infringement of any and all property rights including intellectual property rights and any other rights of you, users or any third party, resulting from the Information.
- No information in this document can be transcribed or copied or both without Sanken’s prior written consent.
- Regarding the Information, no license, express, implied or otherwise, is granted hereby under any intellectual property rights and any other rights of Sanken.
- Unless otherwise agreed in writing between Sanken and you, Sanken makes no warranty of any kind, whether express or implied, including, without limitation, any warranty (i) as to the quality or performance of the Sanken Products (such as implied warranty of merchantability, and implied warranty of fitness for a particular purpose or special environment), (ii) that any Sanken Product is delivered free of claims of third parties by way of infringement or the like, (iii) that may arise from course of performance, course of dealing or usage of trade, and (iv) as to the Information (including its accuracy, usefulness, and reliability).
- In the event of using the Sanken Products, you must use the same after carefully examining all applicable environmental laws and regulations that regulate the inclusion or use or both of any particular controlled substances, including, but not limited to, the EU RoHS Directive, so as to be in strict compliance with such applicable laws and regulations.
- You must not use the Sanken Products or the Information for the purpose of any military applications or use, including but not limited to the development of weapons of mass destruction. In the event of exporting the Sanken Products or the Information, or providing them for non-residents, you must comply with all applicable export control laws and regulations in each country including the U.S. Export Administration Regulations (EAR) and the Foreign Exchange and Foreign Trade Act of Japan, and follow the procedures required by such applicable laws and regulations.
- Sanken assumes no responsibility for any troubles, which may occur during the transportation of the Sanken Products including the falling thereof, out of Sanken’s distribution network.
- Although Sanken has prepared this document with its due care to pursue the accuracy thereof, Sanken does not warrant that it is error free and Sanken assumes no liability whatsoever for any and all damages and losses which may be suffered by you resulting from any possible errors or omissions in connection with the Information.
- Please refer to our official website in relation to general instructions and directions for using the Sanken Products, and refer to the relevant specification documents in relation to particular precautions when using the Sanken Products.
- All rights and title in and to any specific trademark or tradename belong to Sanken and such original right holder(s).

DSGN-CEZ-16003