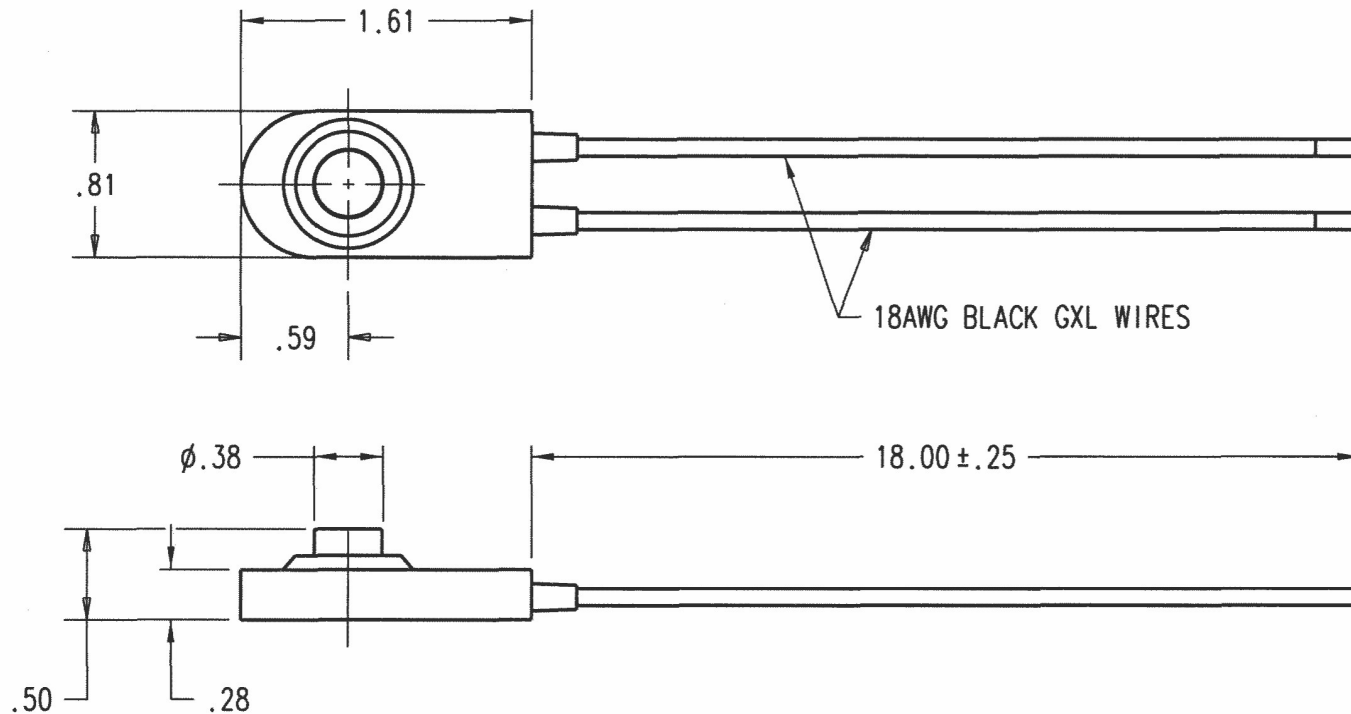


DRAWING NO.

B7151-532



NOTES:

1. SWITCH IS ENTIRELY WATERPROOF.
2. SWITCH CONFIGURATION IS NORMALLY OPEN.
3. WIRE CONNECTIONS MUST BE SEALED TO MAINTAIN THE WATERPROOFNESS OF THE SWITCH.
4. ELECTRICAL RATING (28VDC/120VAC): 5 AMP RESISITIVE, 3 AMP INDUCTIVE.
5. PROPER APPLICATION OF THIS PRODUCT IS RESPONSIBILTY OF THE USER.

					UNLESS OTHERWISE SPECIFIED DIMENSIONS ARE IN INCHES		APPROVALS		DATE		CPI CONTROL PRODUCTS, INC. EAST HANOVER, NEW JERSEY WWW.CPI-NJ.COM							
					TOLERANCES ARE:		DRAWN GHS		7/26/21									
					.X ± .1 .XX ± .03 .XXX ± .015 ANG ± 5°		CHECKED				TITLE WATERPROOF SWITCH, N.O.							
					MATERIAL		ISSUED ECN7184 <i>ROG</i> 7/27/21											
REVISIONS					FINISH AND HEAT TREAT		DIGI-KEY				SIZE		SCALE		DRAWING NO.		SHEET	
THE INFORMATION FURNISHED HEREIN IS THE PROPERTY OF CONTROL PRODUCTS, INC. AND SHALL NOT BE USED, DISCLOSED TO OTHERS, OR COPIED WITHOUT THE EXPRESS WRITTEN CONSENT OF CONTROL PRODUCTS, INC.							DO NOT SCALE DRAWING				A		NONE		B7151-532		1 OF 1	