
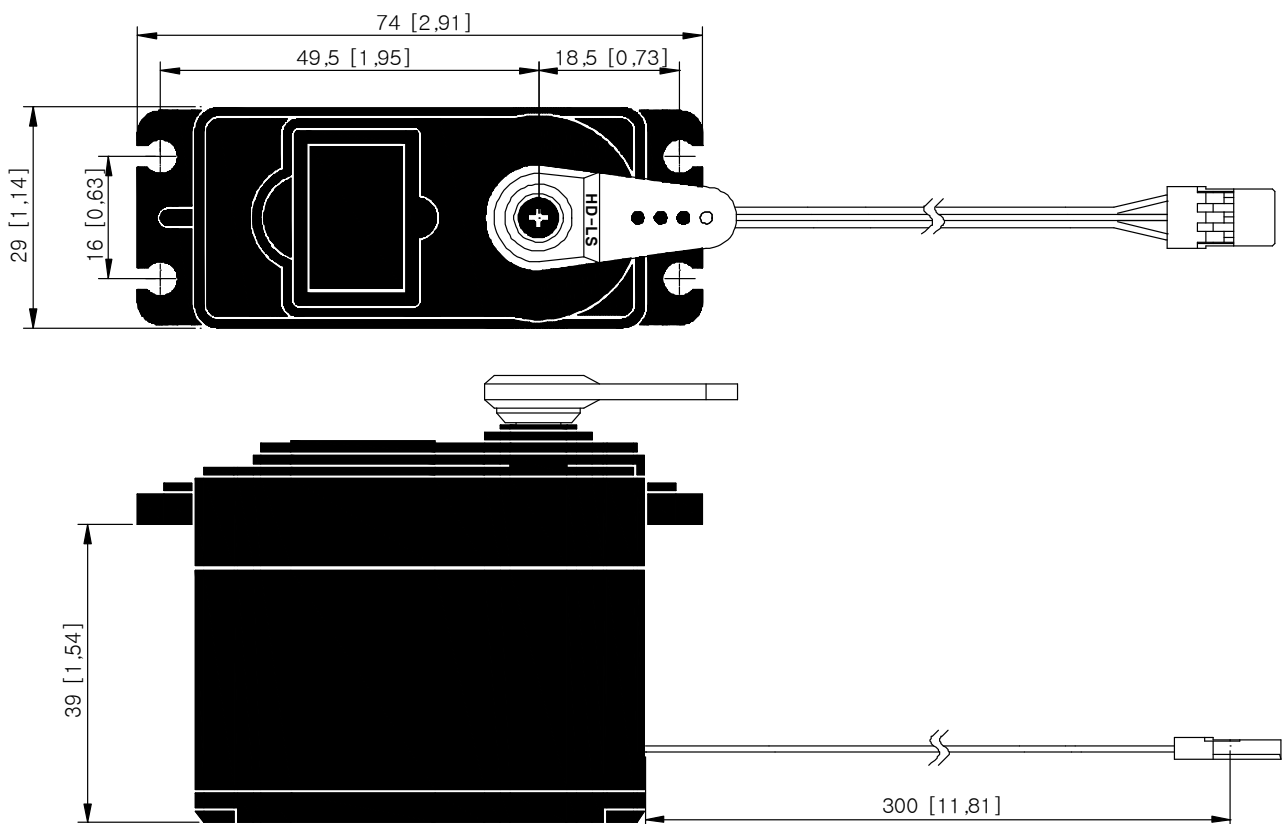


HS-755MG General Specification.



METAL GEAR QUARTER SCALE SERVO

Control system	PWM			-
Position sensor type	Contact Analog Potentiometer			-
Operating voltage range	4.8 ~ 6.0 V			-
Motor type	Cored Metal Brush			-
Voltage	4.8V	6.0V	-	At 25°C, 45% (±10%) measurement environment
No load speed	0.28sec/60°	0.23sec/60°	-	
Stall torque	12.0 kgfcm(166.65oz-in)	14.4 kgfcm(199.98oz-in)	-	
Standing current	8.0mA	8.0mA	-	
No load running current	230mA	250mA	-	
Stall current	1,500mA	1,800mA	-	
Dead band width	5usec	5usec	-	
Operating travel	40°/One side pulse traveling 400usec			
Operating temperature range	-20°C ~ +60°C (-4°F ~ +140°F)			-
Vibrations at no load	-			-
Storage temperature range	-30°C ~ +80°C (-31°F ~ +176°F)			-
Connector wire length	300mm(11.81inch)			
Connector wire gauge	22AWG			
Dimensions	59.0 mm x 29.0 mm x 50.0 mm (2.32inch x 1.14inch x 1.97inch)			-
Weight	117.0 g(4.13oz)			-
Ball bearing	Dual Ball Bearing			-
Case material	Engineering Plastic			-
Gear material	1 Heavy Duty Resin & 3 Metal			-
Gear train backlash	Max 0.5°			-
Horn gear spline	24T(Ø6)			-
IP rate	-			-
Servo Amplifier type	Analog Contorller			-
Features	-			-
Applications	-			-



1:1 scale (unit : mm)

