

## ULTRA WIDE INPUT ISOLATED DC/DC CONVERTER 1500 Vdc ISOLATION

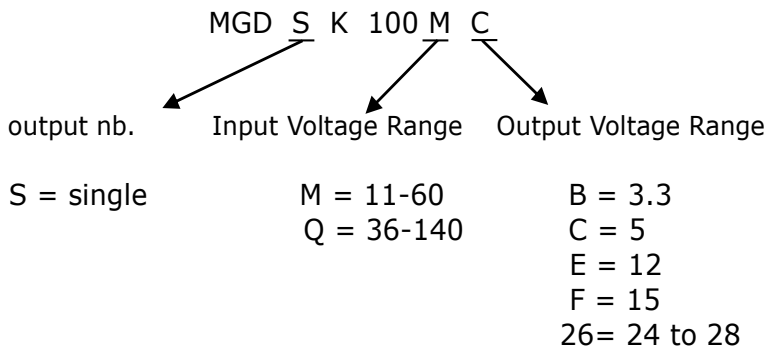
### Description

The MGDK100 series features a Quality Cost Effective range of 100W board mounted isolated dc/dc converters. With multiple selection of ultra wide input voltage ranges from 11V up to 140V dc, the MGDK100 is proposed with a single channel with output voltage trim capability. The converter embeds an output overload protection, and comes encapsulated in a low profile fully potted 2.9"x1.9"x0.5" metallic case.

### Fields of Application

- General purpose application
- Transportation
- Telecom
- Renewable Energy

### Part-numbering



### Selection Guide

Part Number	Output Voltage (Vdc)	Output Power (Watt)	Input Voltage (Vdc)	Part Number	Output Voltage (Vdc)	Output Power (Watt)	Input Voltage (Vdc)
MGDSK100MB	3.3	66	11-60	MGDSK100QB	3.3	66	36-140
MGDSK100MC	5	100	11-60	MGDSK100QC	5	100	36-140
MGDSK100ME	12	100	11-60	MGDSK100QE	12	100	36-140
MGDSK100MF	15	100	11-60	MGDSK100QF	15	100	36-140
MGDSK100M26	24 to 28	100	11-60	MGDSK100Q26	24-28	100	36-140

for more information go to <https://www.gaia-converter.com>

## 1-ELECTRICAL SPECIFICATIONS

Data are valid at +25°C, unless otherwise specified

Specification

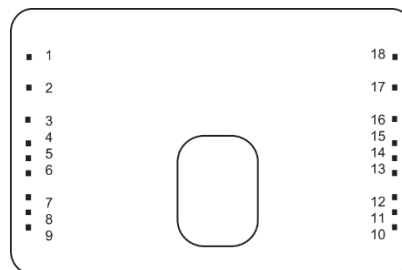
Parameter	Conditions	Limit	Units	H input	Q input
<b>INPUT</b>					
<b>Nominal Input Voltage (Ui nom)</b>	Full temperature range	Nominal	Vdc	24	72
<b>Transient Input Voltage</b>	Full temperature range	Maximum	Vdc/s	100/0.1	175/0.1
<b>Start-up input voltage Turn on /turn off</b>	Full temperature range	Typical	Vdc	10.5/9.5	33/30
<b>Start-up time</b>	Full temperature range	Maximum	ms	30	
<b>Power efficiency</b>	Ui Nominal 75% load	Typical	%	88	85
<b>No load input power</b>	Vo<15 Vo>12	Maximum	W	10 2	
<b>OUTPUT</b>					
<b>Output current : *</b> B output (3V3) C output (5V) E output (12V) F output (15V) 26 output (26V)	Ui min. To Ui max	Maximum	A	20 20 8.25 6.5 3.8	
<b>Set Point accuracy</b>	Ui nom @75% load	Maximum	%	+/- 2.5	
<b>Output regulation (Line)</b>	@75% load	Maximum	%	+/- 1	
<b>Output regulation (Load)</b>	Ui min. To Ui max full load	Maximum Typical	%	+/- 1	
<b>Output ripple voltage</b> B & C output (3V3) (5V) E & F output (12V) (15V) 26 output (26V)	Ui min. To Ui max	Maximum	mVpp	100 200 350	
<b>Admissible capacitor</b> B & C output E & F output	Ui min. Full load ( per output)	Maximum	µF	2200 330	
<b>MISCELLANEOUS</b>					
<b>Switching Frequency</b>		Typical	Khz	260	
<b>Output Trim Range</b>		Min.Max.	%	-20/+10	
<b>Isolation Strength (Input output)</b>	Ui min. To Ui max		Vdc	1500	
<b>Module enable voltage</b> <b>Module disable voltage</b>	On pin on/off	Min./Max..	Vdc	3.5/5 0.0/0.5	
<b>Output over current protection level</b>	Strait line limitation	nominal	%	130	
<b>EMC Compliance</b>	With input capacitor With input filter			EN555032 class A EN555032 class B	

## 2-THERMAL & MECHANICAL SPECIFICATIONS

Parameter	Conditions	Limit	Units	Parameter
Case temperature range		Mini.Max.	°C	-40 to 95
Storage temperature range	Not operating	Mini.Max.	°C	110
Case Material	Regular model			Metallic black anodized coated
Pin Material				Copper plated with pure matte tin over nickel underplate
Case to Air thermal resistance		Typical	°C/W	7.5

### Connections

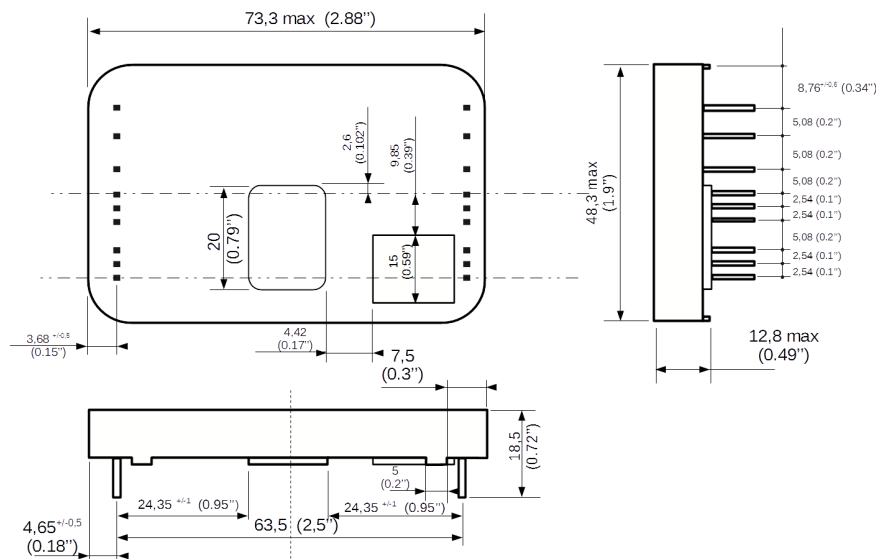
Pin#	MGDSK100 (Single)
1	On/Off
2	Do not Connect
3	Do not Connect
4,5,6	-Input (Gi)
7,8,9	+Input (Vi)
10,11,12	Output (Vo)
13,14,15	Common (Go)
16	Sense+
17	Trim
18	Sense-



Bottom view

### Dimensions MGDK100

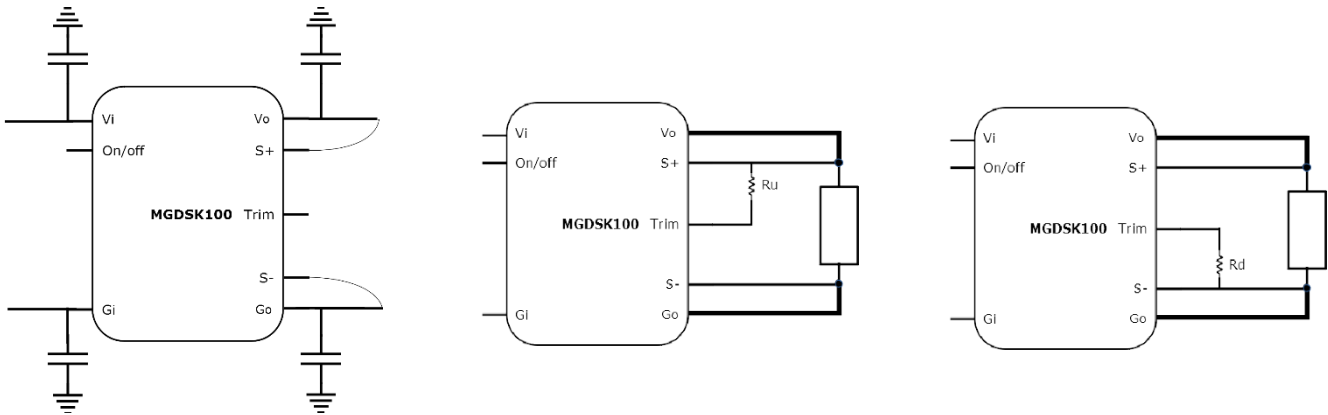
Dimensions are given in mm (inches) . Tolerance : +/-0.25mm (0.01") unless otherwise specified weight : < 80gr (2.8oz) max.



Pin dimensions :  $\square$  0,91 mm (0.036")

## 3-APPLICATION

### Typical connections



### TRIM FUNCTION:

#### TRIM UP Function:

The Module can be trimmed up using a resistor connected across Trim pin and Vo pin, the resistor value can be evaluated using the following formula:

$$R_u = \frac{39 \times (V_o - 2.5) \times V_{onom}}{(V_o - V_{onom}) \times 2.5} - 39.27$$

With  $R_u$ : resistor value in  $K\Omega$   
 $V_o$ : desired voltage  
 $V_{onom}$ : nominal voltage

#### TRIM Down Function:

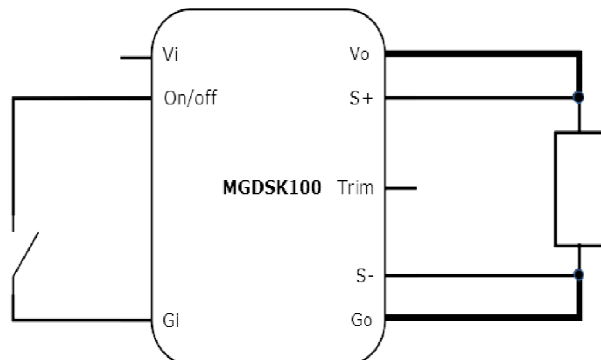
The Module can be trimmed down using a resistor connected across Trim pin and Go pin, the resistor value can be evaluated using the following formula:

$$R_d = \frac{39.27 \times V_o \cdot V_o - 0.27 \times V_{onom}}{(V_{onom} - V_o)}$$

With  $R_d$ : resistor value in  $K\Omega$   
 $V_o$ : desired voltage  
 $V_{onom}$ : nominal voltage

### ON-OFF FUNCTION:

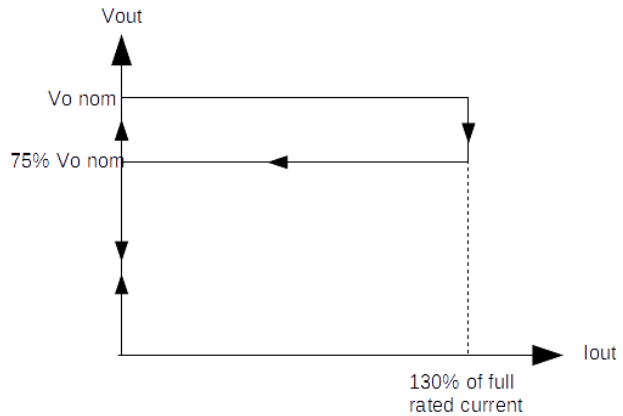
The converter is naturally enabled as far as the on/off pin remains unconnected. To disable the converter the pin on/off should be shorted to Go using a switch, an open collector or open drain transistor. Several converters of the same input bus can be remotely controlled by the same signal just by connecting all the pins on/off together.



## 3-APPLICATION

### OCP FUNCTION:

The converter series incorporates a straight-line current protection circuit. When the output current reaches typically 130% of its full-rated current, the output voltage decreases down to typically 75% of nominal output voltage. Below this threshold limit the converter falls into hiccup mode by testing periodically if an overload is applied. The module restarts automatically to normal operation when overcurrent is removed.



<b>International Headquarters</b>	<b>North American Headquarters</b>
GAIA Converter - France	GAIA Converter Canada, Inc
18 rue caroline Aigle	4038 Le Corbusier Blvd
33186 LE HAILLAN - FRANCE	LAVAL, QUEBEC - CANADA H7L 5R2
Tel. : + (33)-5-57-92-12-80	Tel. : (514)-333-3169
Fax : + (33)-5-57-92-12-89	Fax : (514)-333-4519

Information given in this datasheet is believed to be accurate and reliable. However, no responsibility is assumed for the consequence of its use nor for any infringement of patents or other rights of third parties which may result from its use. These products are sold only according to GAIA Converter general conditions of sale, unless otherwise confirmed by writing. Specifications subject to change without notice.