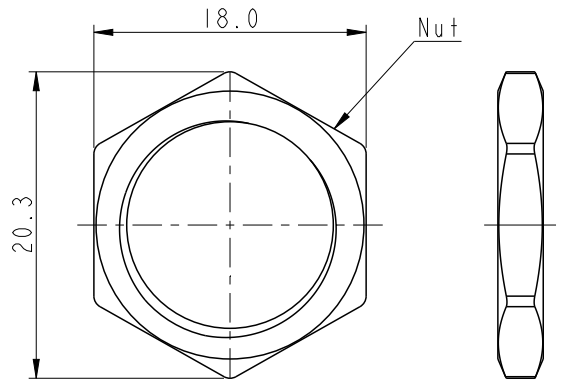
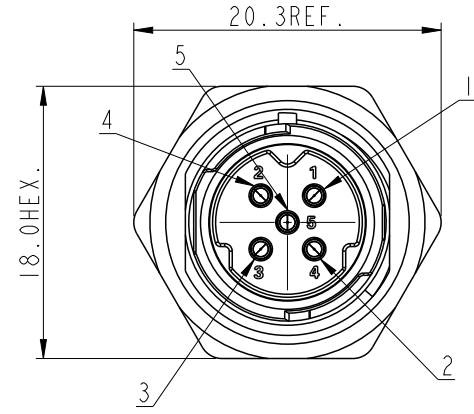
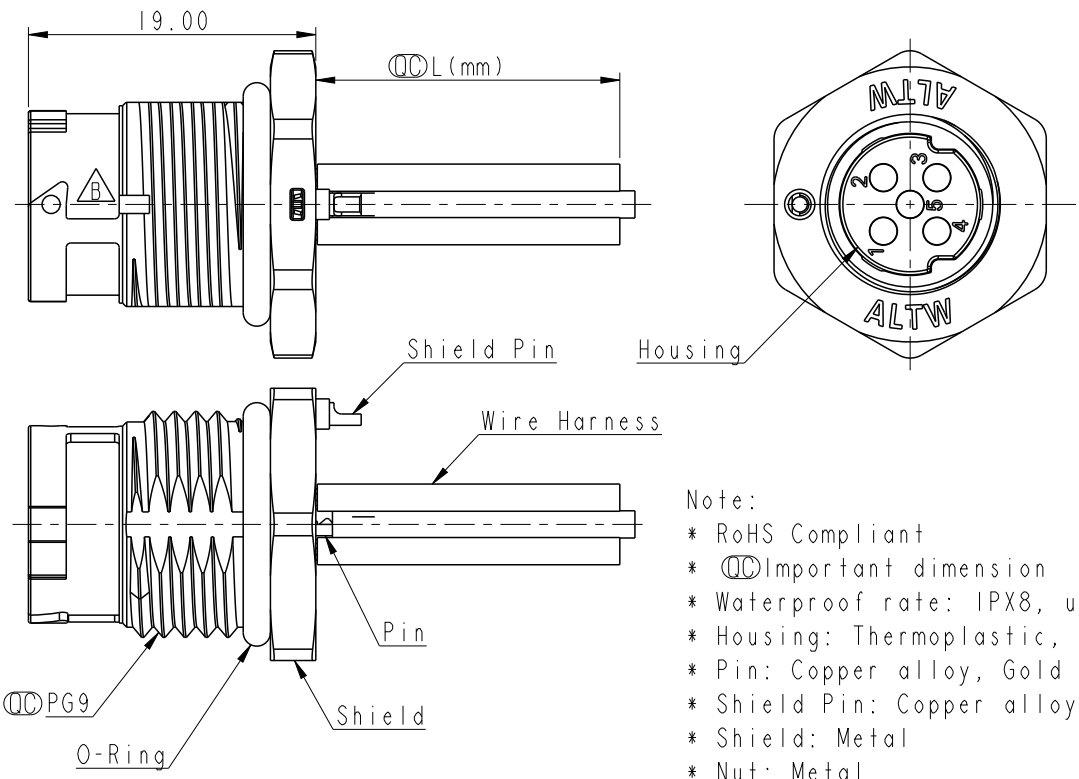
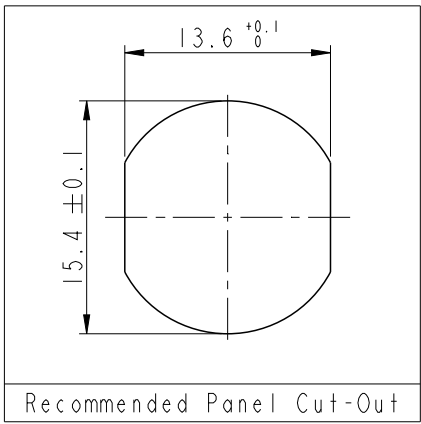


REV.	ECN NO.	DATE	SIGN	DESCRIPTION
A		2022-01-03	Sam Ho	Rev.02 to A, Initial Released
B	C220386	2022-03-29	Sam Ho	X2



- Note:
- \* RoHS Compliant
  - \* Important dimension
  - \* Waterproof rate: IPX8, unmated 1m/24h
  - \* Housing: Thermoplastic, Black
  - \* Pin: Copper alloy, Gold plated
  - \* Shield Pin: Copper alloy, Gold plated
  - \* Shield: Metal
  - \* Nut: Metal
  - \* O-Ring: Rubber, Black
  - \* Wire harness: ULI430, 20#,  $\phi$ 1.8.
  - \* For panel thickness max: 4.5mm
  - \* Nut is packed separately in pe bag
  - \* Wire harness tolerance:
    - 100mm:  $\pm$ 10mm
    - 100mm < L  $\leq$  300mm:  $\pm$ 15mm
    - 300mm < L  $\leq$  1000mm:  $\pm$ 20mm
    - 1000mm < L  $\leq$  1500mm:  $\pm$ 50mm

ASD-XXPMMS-QC8AXX

XX: L=10~150cm  
 10: L=10cm  
 15: L=15cm  
 :  
 A0: L=100cm  
 A1: L=110cm  
 :  
 XX: No. Of Pin

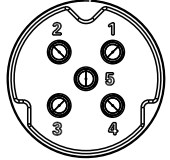
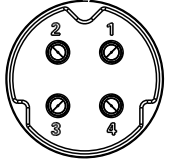
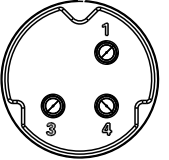
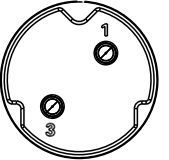
UNIT: mm TOLERANCE $\pm 0.50$ mm	TITLE XLOK, A SHLD-5A, FRONT FASTENED M, M, SOLDER, PUSH LOCK		<h1>Amphenol LTW</h1> <p>安費諾亮泰企業股份有限公司</p>		ITEM NO	DRAWN BY Sam Ho	DATE 2021-09-15		
	SCALE 2:1	SIZE A4			SHEET 1	OF 2	DWG NO ASD-XXPMMS-QC8AXX	CHECKED BY Fred Lee	DATE 2021-09-15
	REV. B	WC-REV.			Inspection item		CUSTOMER ALTW	APPROVED BY Fred Lee	DATE 2021-09-15

THIS DOCUMENT IS SUBJECT TO CHANGE WITHOUT NOTICE. IT IS CONFIDENTIAL AND A PROPERTY OF Amphenol LTW. DISCLOSURE TO THIRD PARTY HAS TO BE AUTHORIZED BY Amphenol LTW.

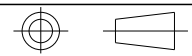
THIS DOCUMENT IS SUBJECT TO CHANGE WITHOUT NOTICE. IT IS CONFIDENTIAL AND A PROPERTY OF Amphenol LTW. DISCLOSURE TO THIRD PARTY HAS TO BE AUTHORIZED BY Amphenol LTW.

1 2 3 4 5 6 7 8

F  
E  
D  
C  
B  
A

5 4 3 2 1	Yellow Orange Red Brown Black	黃 橘 紅 棕 黑	4 3 2 1	Orange Red Brown Black	橘 紅 棕 黑	3 4 1	Red Brown Black	紅 棕 黑	3 1	Brown Black	棕 黑
Pin #	Wire		Pin #	Wire		Pin #	Wire		Pin #	Wire	
											
5P			4P			3P			2P		
△ Pin Assignments Front View											

UNIT: mm

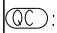


TOLERANCE

±0.50mm

TITLE  
XLOK, A SHLD-5A, FRONT FASTENED  
M, M, SOLDER, PUSH LOCK

SCALE 2:1 SIZE A4 SHEET 2 OF 2

REV. B WC-REV. .0  Inspection item

**Amphenol LTW**

安費諾亮泰企業股份有限公司

ITEM NO

DRAWN BY Sam Ho

DATE 2021-09-15

DWG NO ASD-XXPMMS-QC8AXX

CHECKED BY Fred Lee

DATE 2021-09-15

CUSTOMER ALTW

APPROVED BY Fred Lee

DATE 2021-09-15