

# EDS-405A Series

## 5-port entry-level managed Ethernet switches



### Features and Benefits

- Turbo Ring and Turbo Chain (recovery time < 20 ms @ 250 switches), and RSTP/STP for network redundancy
- IGMP Snooping, QoS, IEEE 802.1Q VLAN, and port-based VLAN supported
- Easy network management by web browser, CLI, Telnet/serial console, Windows utility, and ABC-01
- PROFINET or EtherNet/IP enabled by default (PN or EIP models)
- Supports MXstudio for easy, visualized industrial network management

### Certifications



## Introduction

The EDS-405A Series is designed especially for industrial applications. The switches support a variety of useful management functions, such as Turbo Ring, Turbo Chain, ring coupling, IGMP snooping, IEEE 802.1Q VLAN, port-based VLAN, QoS, RMON, bandwidth management, port mirroring, and warning by email or relay. The ready-to-use Turbo Ring can be set up easily using the web-based management interface, or with the DIP switches located on the top panel of the EDS-405A switches.

### Additional Features and Benefits

- DHCP Option 82 for IP address assignment with different policies
- Supports EtherNet/IP, Modbus TCP and PROFINET<sup>1</sup> protocols for device management and monitoring
- EtherNet/IP EDS (Electronic Data Sheet) file, custom AOI (Add-On Instructions) and FactoryTalk® View faceplate available
- PROFINET GSDML file and SIMATIC STEP 7 device icons available<sup>1</sup>
- Port mirroring for online debugging
- Port-based VLAN, IEEE 802.1Q VLAN, and GVRP to ease network planning
- QoS (IEEE 802.1p and TOS/DiffServ) to increase determinism
- RMON for proactive and efficient network monitoring
- SNMPv1/v2c/v3 for different levels of network management security
- Bandwidth management to prevent unpredictable network status

## Specifications

### Ethernet Interface

|  |  |
|--|--|
| 10/100BaseT(X) Ports (RJ45 connector)      | EDS-405A, 405A-EIP/PN/PTP Series: 5<br>EDS-405A-MM-SC/MM-ST/SS-SC Series: 3<br><br>All models support:<br>Auto negotiation speed<br>Full/Half duplex mode<br>Auto MDI/MDI-X connection |
| 100BaseFX Ports (multi-mode SC connector)  | EDS-405A-MM-SC Series: 2   |
| 100BaseFX Ports (multi-mode ST connector)  | EDS-405A-MM-ST Series: 2   |
| 100BaseFX Ports (single-mode SC connector) | EDS-405A-SS-SC Series: 2   |

1. EDS-405A-PN Series only

| Optical Fiber   | 100BaseFX               |              |                                |              |
|---|-------------------------|--------------|--------------------------------|--------------|
|   | Multi-Mode              |              | Single-Mode                    |              |
|   | Fiber Cable Type        | OM1          | 50/125 $\mu$ m<br>800 MHz x km | G.652        |
| Typical Distance  |                         | 4 km         | 5 km                           | 40 km        |
| Wavelength  | Typical (nm)            | 1300         |                                | 1310         |
|   | TX Range (nm)           | 1260 to 1360 |                                | 1280 to 1340 |
|   | RX Range (nm)           | 1100 to 1600 |                                | 1100 to 1600 |
| Optical Power   | TX Range (dBm)          | -10 to -20   |                                | 0 to -5      |
|   | RX Range (dBm)          | -3 to -32    |                                | -3 to -34    |
|   | Link Budget (dB)        | 12           |                                | 29           |
|   | Dispersion Penalty (dB) | 3            |                                | 1            |
| <p>Note: When connecting a single-mode fiber transceiver, we recommend using an attenuator to prevent damage caused by excessive optical power.</p> <p>Note: Compute the "typical distance" of a specific fiber transceiver as follows: Link budget (dB) &gt; dispersion penalty (dB) + total link loss (dB).</p> |                         |              |                                |              |

|           |  |
|-----------|--|
| Standards | IEEE 802.3 for 10BaseT<br>IEEE 802.3u for 100BaseT(X) and 100BaseFX<br>IEEE 802.3x for flow control<br>IEEE 802.1D-2004 for Spanning Tree Protocol<br>IEEE 802.1p for Class of Service<br>IEEE 802.1Q for VLAN Tagging<br>IEEE 802.1w for Rapid Spanning Tree Protocol |
|-----------|--|

### Ethernet Software Features

|                      |   |
|----------------------|---|
| Filter               | 802.1Q VLAN, GMRP, GVRP, IGMP v1/v2, Port-based VLAN  |
| Industrial Protocols | EtherNet/IP <sup>2</sup> , Modbus TCP<br>EDS-405A-PN Series: PROFINET IO Device (Slave)   |
| Management           | Back Pressure Flow Control, BOOTP, DHCP Option 66/67/82, DHCP Server/Client, Flow control, IPv4/IPv6, LLDP, Port Mirror, RARP, RMON, SMTP, SNMP Inform, SNMPv1/v2c/v3, Syslog, Telnet, TFTP |
| MIB                  | Bridge MIB, Ethernet-like MIB, MIB-II, P-BRIDGE MIB, RMON MIB Groups 1, 2, 3, 9, RSTP MIB   |
| Redundancy Protocols | RSTP, STP, Turbo Chain, Turbo Ring v1/v2  |
| Time Management      | All models: NTP Server/Client, SNTP<br>EDS-405A-PTP Series: IEEE 1588v2 PTP (hardware-based)  |

### Switch Properties

|                    |  |
|--------------------|--|
| IGMP Groups        | 256  |
| MAC Table Size     | EDS-405A Series, EDS-405A-EIP/MM-SC/MM-ST/PN/SS-SC Series: 2 K<br>EDS-405A-PTP Series: 8 K |
| Max. No. of VLANs  | 64   |
| Packet Buffer Size | 1 Mbits  |
| Priority Queues    | 4  |
| VLAN ID Range      | VID 1 to 4094  |

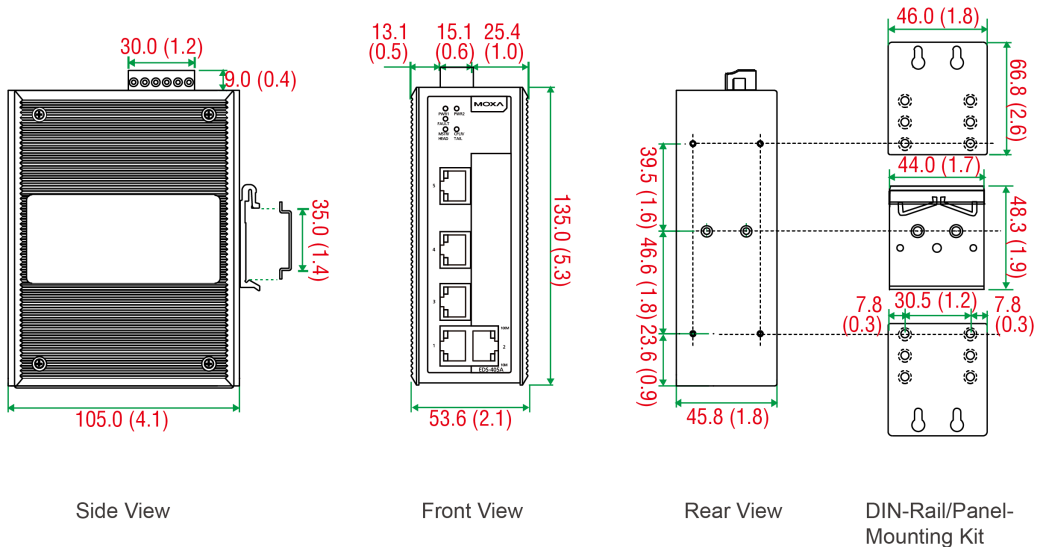
2. EDS-405A-EIP Series: EtherNet/IP protocol enabled by default.

|  |  |
|--|--|
| <b>Serial Interface</b>                |  |
| Console Port                           | RS-232 (TxD, RxD, GND), 10-pin RJ45 (19200, n, 8, 1)   |
| <b>DIP Switch Configuration</b>        |  |
| Ethernet Interface                     | Turbo Ring, Master, Coupler, Reserve   |
| <b>Input/Output Interface</b>          |  |
| Alarm Contact Channels                 | Relay output with current carrying capacity of 1 A @ 24 VDC  |
| <b>Power Parameters</b>                |  |
| Input Voltage                          | 12/24/48 VDC, Redundant dual inputs  |
| Operating Voltage                      | 9.6 to 60 VDC  |
| Input Current                          | EDS-405A/405A-T, EDS-405A-EIP/PN Series: 0.21 A @ 24 VDC<br>Fiber models: 0.26 A @ 24 VDC<br>PTP models: 0.23 A @ 24 VDC   |
| Overload Current Protection            | Supported  |
| Reverse Polarity Protection            | Supported  |
| Connection                             | 1 removable 6-contact terminal block(s)  |
| <b>Physical Characteristics</b>        |  |
| Housing                                | Metal  |
| IP Rating                              | IP30   |
| Dimensions                             | 53.6 x 135 x 105 mm (2.11 x 5.31 x 4.13 in)  |
| Weight                                 | EDS-405A-EIP/MM-SC/MM-ST/PN/SS-SC Series: 650 g (1.44 lb)<br>EDS-405A-PTP Series: 820 g (1.81 lb)  |
| Installation                           | DIN-rail mounting, Wall mounting (with optional kit)   |
| <b>Environmental Limits</b>            |  |
| Operating Temperature                  | Standard Models: -10 to 60°C (14 to 140°F)<br>Wide Temp. Models: -40 to 75°C (-40 to 167°F)  |
| Storage Temperature (package included) | -40 to 85°C (-40 to 185°F)   |
| Ambient Relative Humidity              | 5 to 95% (non-condensing)  |
| <b>Standards and Certifications</b>    |  |
| Safety                                 | All models: UL 508<br>non-PTP models: UL 60950-1   |
| EMC                                    | EN 55032/24  |
| EMI                                    | CISPR 32, FCC Part 15B Class A   |
| EMS                                    | Non-PTP models:<br>IEC 61000-4-2 ESD: Contact: 6 kV; Air: 8 kV<br>IEC 61000-4-3 RS: 80 MHz to 1 GHz: 20 V/m<br>IEC 61000-4-4 EFT: Power: 2 kV; Signal: 2 kV<br>IEC 61000-4-5 Surge: Power: 2 kV; Signal: 2 kV<br>IEC 61000-4-6 CS: 10 V<br>IEC 61000-4-8<br><br>PTP models:<br>IEC 61000-4-2 ESD: Contact: 4 kV; Air: 8 kV<br>IEC 61000-4-3 RS: 80 MHz to 1 GHz: 3 V/m<br>IEC 61000-4-4 EFT: Power: 0.5 kV; Signal: 0.5 kV<br>IEC 61000-4-5 Surge: Power: 0.5 kV; Signal: 1 kV |

|                         |   |
|-------------------------|---|
|                         | IEC 61000-4-6 CS: 3 V<br>IEC 61000-4-8  |
| Hazardous Locations     | Non-PTP models: ATEX, Class I Division 2  |
| Maritime                | Non-PTP models: DNV-GL  |
| Traffic Control         | Non-PTP models: NEMA TS2  |
| Freefall                | IEC 60068-2-31  |
| Shock                   | IEC 60068-2-27  |
| Vibration               | IEC 60068-2-6   |
| <b>MTBF</b>             |   |
| Time                    | EDS-405A/405A-T, EDS-405A-EIP/PN Series: 1,547,941 hrs<br>EDS-405A-MM-SC/MM-ST/SS-SC Series: 1,429,327 hrs<br>EDS-405A-PTP Series: 1,316,464 hrs                  |
| Standards               | Telcordia (Bellcore), GB  |
| <b>Warranty</b>         |   |
| Warranty Period         | 5 years   |
| Details                 | See <a href="http://www.moxa.com/warranty">www.moxa.com/warranty</a>  |
| <b>Package Contents</b> |   |
| Device                  | 1 x EDS-405A Series switch  |
| Cable                   | 1 x RJ45-to-DB9 console cable   |
| Installation Kit        | 2 x cap, plastic, for RJ45 port   |
| Documentation           | 1 x product certificates of quality inspection, Simplified Chinese<br>1 x product notice, Simplified Chinese<br>1 x quick installation guide<br>1 x warranty card |

## Dimensions

Unit: mm (inch)



## Ordering Information

| Model Name       | Layer | Total No. of Ports | 10/100BaseT(X) Ports RJ45 Connector | 100BaseFX Ports Multi-Mode SC Connector | 100BaseFX Ports Multi-Mode ST Connector | 100BaseFX Ports Single-Mode SC Connector | Operating Temp. |
|------------------|-------|--------------------|-------------------------------------|---|---|--|-----------------|
| EDS-405A         | 2     | 5                  | 5                                   | –                                       | –                                       | –  | -10 to 60°C     |
| EDS-405A-T       | 2     | 5                  | 5                                   | –                                       | –                                       | –  | -40 to 75°C     |
| EDS-405A-MM-ST   | 2     | 5                  | 3                                   | –                                       | 2                                       | –  | -10 to 60°C     |
| EDS-405A-MM-ST-T | 2     | 5                  | 3                                   | –                                       | 2                                       | –  | -40 to 75°C     |
| EDS-405A-MM-SC   | 2     | 5                  | 3                                   | 2                                       | –                                       | –  | -10 to 60°C     |
| EDS-405A-MM-SC-T | 2     | 5                  | 3                                   | 2                                       | –                                       | –  | -40 to 75°C     |
| EDS-405A-SS-SC   | 2     | 5                  | 3                                   | –                                       | –                                       | 2  | -10 to 60°C     |
| EDS-405A-SS-SC-T | 2     | 5                  | 3                                   | –                                       | –                                       | 2  | -40 to 75°C     |
| EDS-405A-EIP     | 2     | 5                  | 5                                   | –                                       | –                                       | –  | -10 to 60°C     |
| EDS-405A-EIP-T   | 2     | 5                  | 5                                   | –                                       | –                                       | –  | -40 to 75°C     |
| EDS-405A-PN      | 2     | 5                  | 5                                   | –                                       | –                                       | –  | -10 to 60°C     |
| EDS-405A-PN-T    | 2     | 5                  | 5                                   | –                                       | –                                       | –  | -40 to 75°C     |
| EDS-405A-PTP     | 2     | 5                  | 5                                   | –                                       | –                                       | –  | -10 to 60°C     |
| EDS-405A-PTP-T   | 2     | 5                  | 5                                   | –                                       | –                                       | –  | -40 to 75°C     |

## Accessories (sold separately)

### Storage Kits

|        |  |
|--------|--|
| ABC-01 | Configuration backup and restoration tool for managed Ethernet switches and AWK Series wireless APs/bridges/clients, 0 to 60°C operating temperature |
|--------|--|

### Power Supplies

|           |   |
|-----------|---|
| DR-120-24 | 120W/2.5A DIN-rail 24 VDC power supply with universal 88 to 132 VAC or 176 to 264 VAC input by switch, or 248 to 370 VDC input, -10 to 60°C operating temperature |
| DR-4524   | 45W/2A DIN-rail 24 VDC power supply with universal 85 to 264 VAC or 120 to 370 VDC input, -10 to 50°C operating temperature                                       |
| DR-75-24  | 75W/3.2A DIN-rail 24 VDC power supply with universal 85 to 264 VAC or 120 to 370 VDC input, -10 to 60°C operating temperature                                     |
| MDR-40-24 | DIN-rail 24 VDC power supply with 40W/1.7A, 85 to 264 VAC, or 120 to 370 VDC input, -20 to 70°C operating temperature   |
| MDR-60-24 | DIN-rail 24 VDC power supply with 60W/2.5A, 85 to 264 VAC, or 120 to 370 VDC input, -20 to 70°C operating temperature   |

### Wall-Mounting Kits

|          |   |
|----------|---|
| WK-46-01 | Wall-mounting kit, 2 plates, 8 screws, 46 x 66.8 x 2 mm |
|----------|---|

### Rack-Mounting Kits

|       |                           |
|-------|---------------------------|
| RK-4U | 19-inch rack-mounting kit |
|-------|---------------------------|

### Software

|            |   |
|------------|---|
| MXview-50  | Industrial network management software with a license for 50 nodes (by IP address)  |
| MXview-100 | Industrial network management software with a license for 100 nodes (by IP address) |
| MXview-250 | Industrial network management software with a license for 250 nodes (by IP address) |
| MXview-500 | Industrial network management software with a license for 500 nodes (by IP address) |

|                   |  |
|-------------------|--|
| MXview-1000       | Industrial network management software with a license for 1000 nodes (by IP address)           |
| MXview-2000       | Industrial network management software with a license for 2000 nodes (by IP address)           |
| MXview Upgrade-50 | License expansion of MXview industrial network management software by 50 nodes (by IP address) |

© Moxa Inc. All rights reserved. Updated Aug 02, 2019.

This document and any portion thereof may not be reproduced or used in any manner whatsoever without the express written permission of Moxa Inc. Product specifications subject to change without notice. Visit our website for the most up-to-date product information.