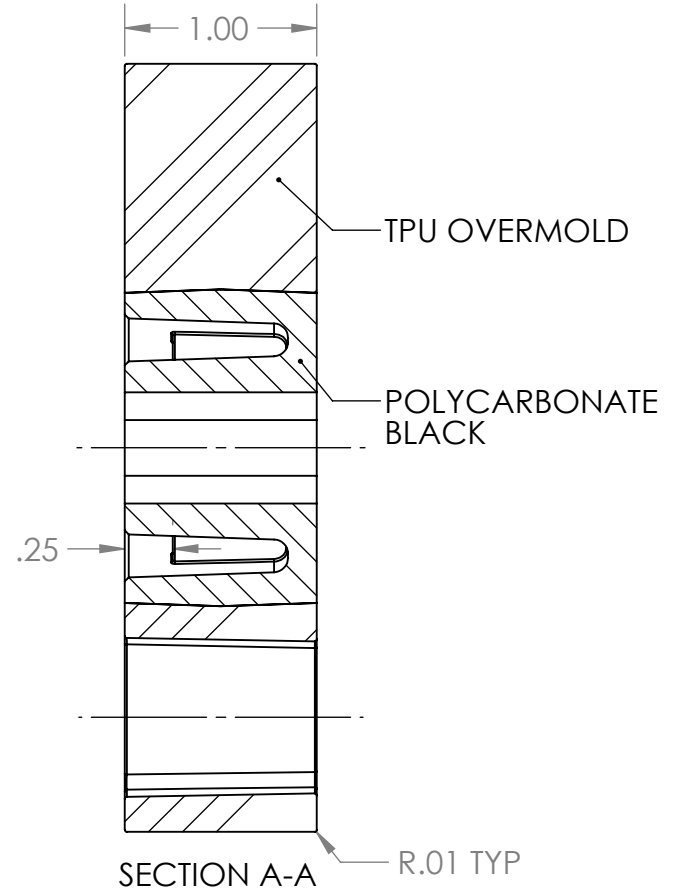
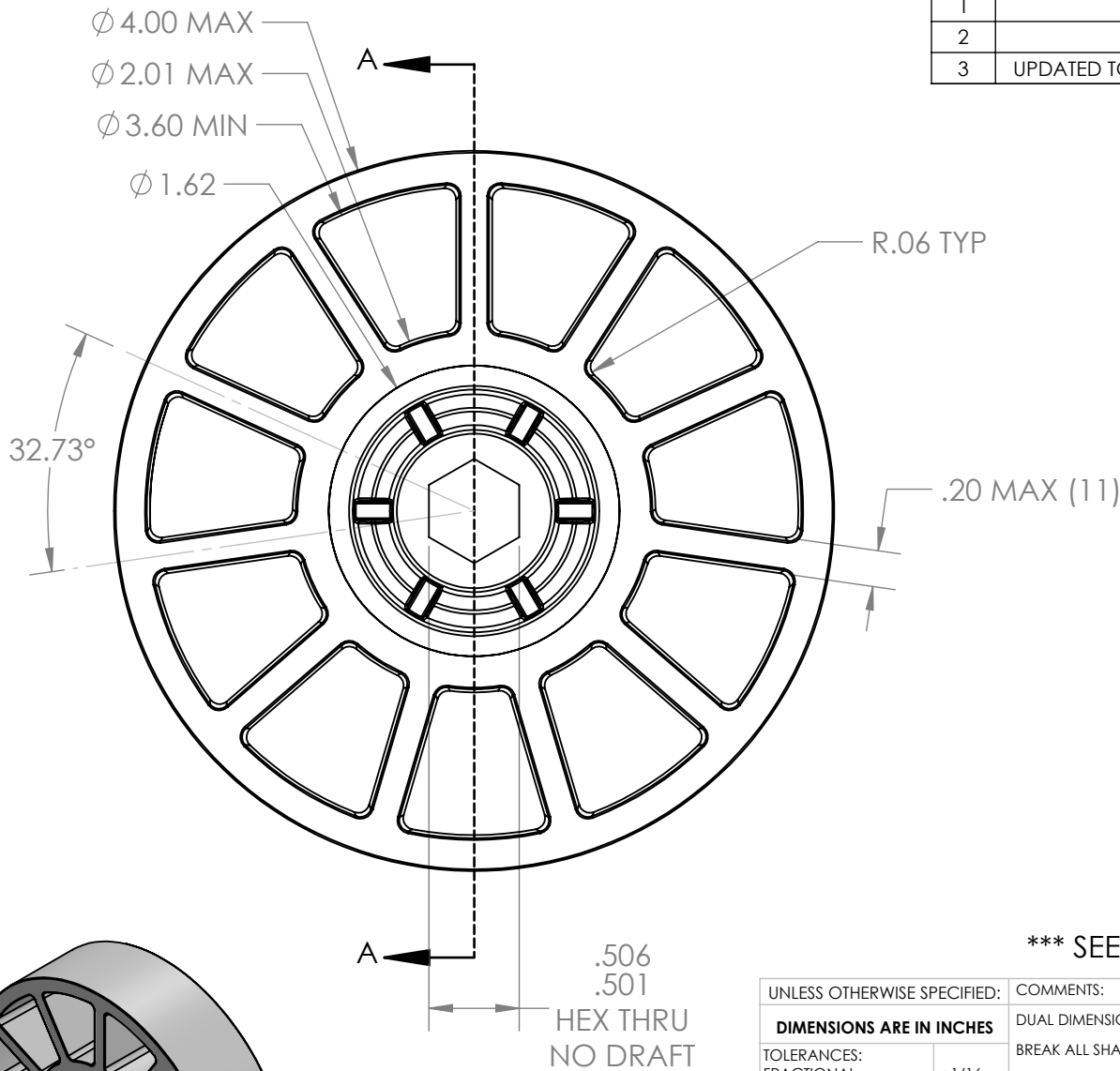
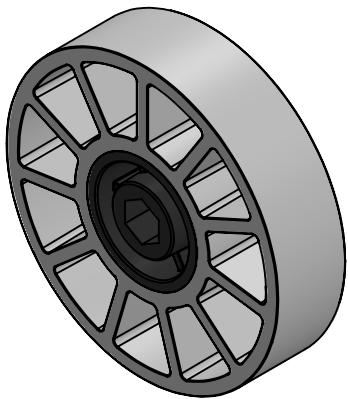


REVISION HISTORY			
REV.	DESCRIPTION	DATE	DRAWN BY
1	ORIGINAL DRAWING	10/11/2016	N. LAWRENCE
2	UPDATED PN	5/12/2017	J. ANG
3	UPDATED TO AMDS, REMOVED TABLE, UPDATED DIMS	10/28/2019	K. KOLODZIEJ



*** SEE CAD FOR ADDITIONAL TOOLPATH INFO***



UNLESS OTHERWISE SPECIFIED:		COMMENTS:	
DIMENSIONS ARE IN INCHES		DUAL DIMENSIONS ARE IN MILLIMETERS.	
TOLERANCES:		BREAK ALL SHARP EDGES.	
FRACTIONAL	$\pm 1/16$	2° DRAFT APPLIED TO MOST SURFACES UNLESS OTHERWISE NOTED.	
ANGULAR: MACH	$\pm 1^\circ$		
ANGULAR: BEND	$\pm 5^\circ$		
ONE PLACE DECIMAL	± 0.1		
TWO PLACE DECIMAL	± 0.01		
THREE PLACE DECIMAL	± 0.005		
FOUR PLACE DECIMAL	± 0.0005		
MATERIAL	PC CORE	CHECKED	NAME NL
	TPU OVERMOLD	DATE	10/29/19
FINISH	DEBURRED	ENG APPR.	
		MFG APPR.	
		Q.A.	



TITLE:
**4IN 500IN HEX BORE
 COMPLIANT WHEEL**

SIZE	DWG. NO.	REV
A	am-3480	3
SCALE: 1:1	WEIGHT:	SHEET 1 OF 1