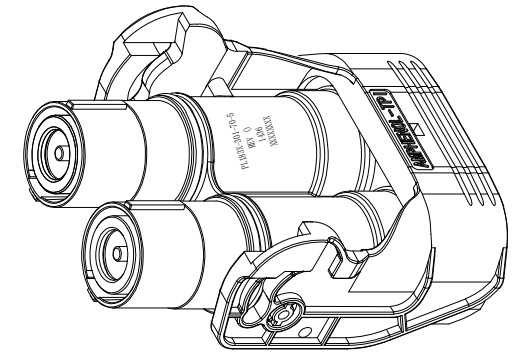
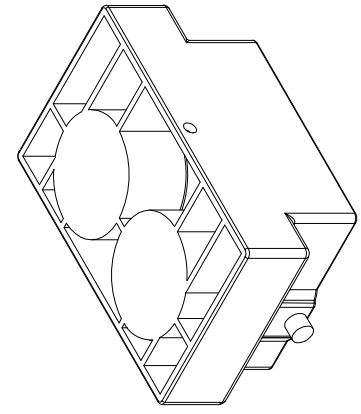
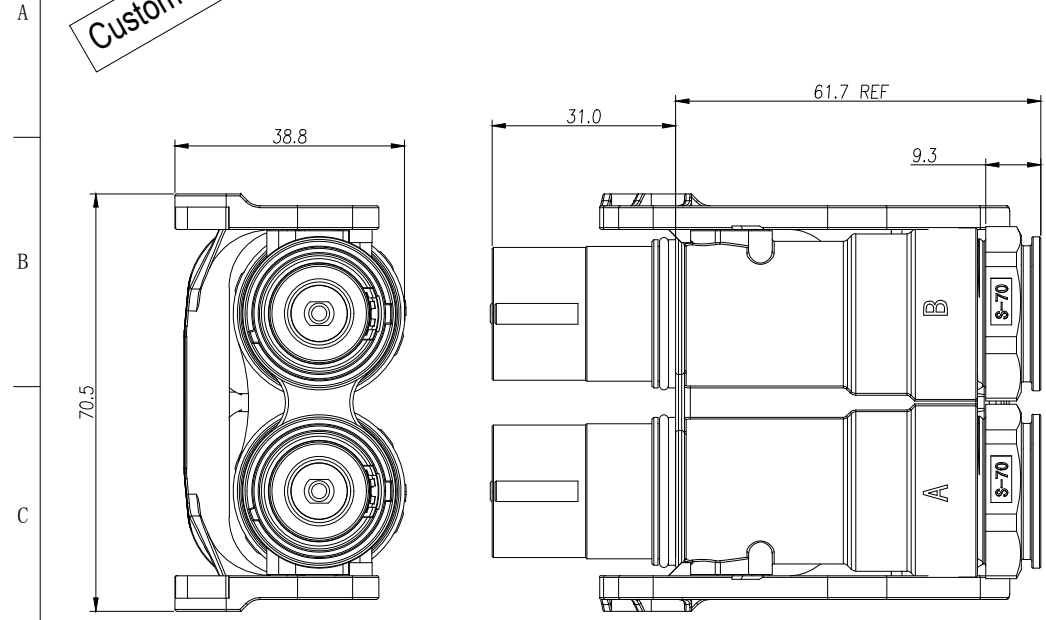


THIS DRAWING IS SUPPLIED FOR INFORMATION ONLY. DESIGN FEATURES, SPECIFICATIONS AND PERFORMANCE DATA SHOWN HEREON ARE THE PROPERTY OF THE AMPHENOL CORPORATION. NO RIGHTS OF REPRODUCTION ARE IMPLIED. ALL DIMENSIONS ARE SUBJECT TO NORMAL MANUFACTURING VARIATIONS.

**Customer Drawing**

REV			REVISIONS			
ZONE	ECO	DESCRIPTION	DATE	BY	APPR	
A	--	INITIAL RELEASE	11/17/20	Steven	JL	

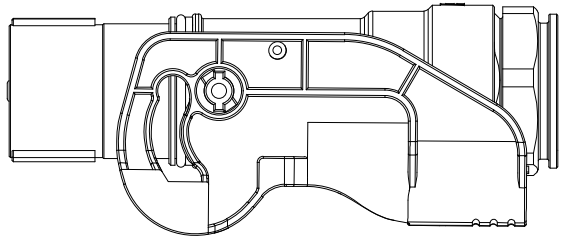
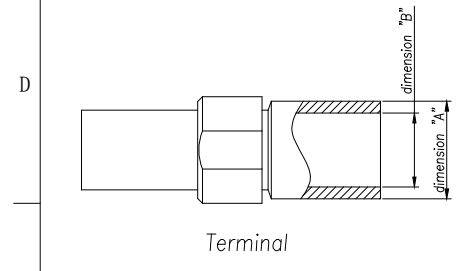


Standard Part List (With HVIL)

Model NO.	REV	overall-diameter nominal (mm)	Dia Primary Insulation (mm)	outside-diameter of terminal (mm): "A"	inside-diameter of terminal (mm): "B"
PL182X-301-50-5V	A	14.9±0.3	11.5±0.3	14.5±0.3	10.3±0.3
PL182Y-301-50-5V	A	14.9±0.3	11.5±0.3	14.5±0.3	10.3±0.3
PL182X-301-70-5V	A	17.0±0.3	13.7±0.3	16.5±0.3	12.5±0.3
PL182Y-301-70-5V	A	17.0±0.3	13.7±0.3	16.5±0.3	12.5±0.3

Standard Part List (Without HVIL)

Model NO.	REV	overall-diameter nominal (mm)	Dia Primary Insulation (mm)	outside-diameter of terminal (mm): "A"	inside-diameter of terminal (mm): "B"
PL182X-300-50-5V	A	14.9±0.3	11.5±0.3	14.5±0.3	10.3±0.3
PL182Y-300-50-5V	A	14.9±0.3	11.5±0.3	14.5±0.3	10.3±0.3
PL182X-300-70-5V	A	17.0±0.3	13.7±0.3	16.5±0.3	12.5±0.3
PL182Y-300-70-5V	A	17.0±0.3	13.7±0.3	16.5±0.3	12.5±0.3



P/N	Model NO.
EX-HA007253	PL182X-301-50-5V
EX-HA007254	PL182Y-301-50-5V
EX-HA007255	PL182X-301-70-5V
EX-HA007256	PL182Y-301-70-5V

P/N	Model NO.
EX-HA007257	PL182X-300-50-5V
EX-HA007258	PL182Y-300-50-5V
EX-HA007259	PL182X-300-70-5V
EX-HA007260	PL182Y-300-70-5V

订购信息 Ordering Information

PL18 2 X - 30 1 - 70 - 5V

键位及颜色 Key "X" Key "Y" Key	高压互锁 HVIL 0, 不带互锁 No HVIL 1, 带互锁 With HVIL	线缆大小 Cable Size "70"=70mm <sup>2</sup> "50"=50mm <sup>2</sup>
---------------------------------	--	---

规格参数 (Spec.):

- 工作温度 Operating temperature: -40° C~+125° C.
- 额定电流 Current rating (Connector Only):  
35mm<sup>2</sup>:150A; 50mm<sup>2</sup>:200A; 70mm<sup>2</sup>:250A;
- 额定电压 Operating voltage:1000 VDC.
- 耐电压 Dielectric withstanding voltage: 5000 VDC.
- 防护等级 Protection class:IP67 & IP2X.
- 电磁屏蔽 Shielding.
- 机械寿命 Mating cycle:100 Min.
- 带自动二次锁扣 Automatic secondary lock.
- 带高压互锁 Electrical interlock (HVIL).
- 对接插座见图纸 Mating receptacle see drawing: PL082-300.

	<b>Amphenol Technical Products International Asia.</b>				
	第三角投影 THIRD ANGLE PROJECTION	页面 SHEET 1 OF 1	幅面 SIZE A3	版次 REV. A	比例 SCALE
签名 SIGNATURE Steven	日期 DATE 11/17/20	UNLESS OTHERWISE SPECIFIED 1) All dimensions are in metric(mm). 2) Tolerances are as follows: 0 PL DEC ±1.00 1 PL DEC ±0.50 2 PL DEC ±0.20			DWG NO: EX-HA007253~7260
制图 DRAWN Steven	审核 CHECKED	批准 APPROVAL	Angles ±1°		CUST PART #: N/A