
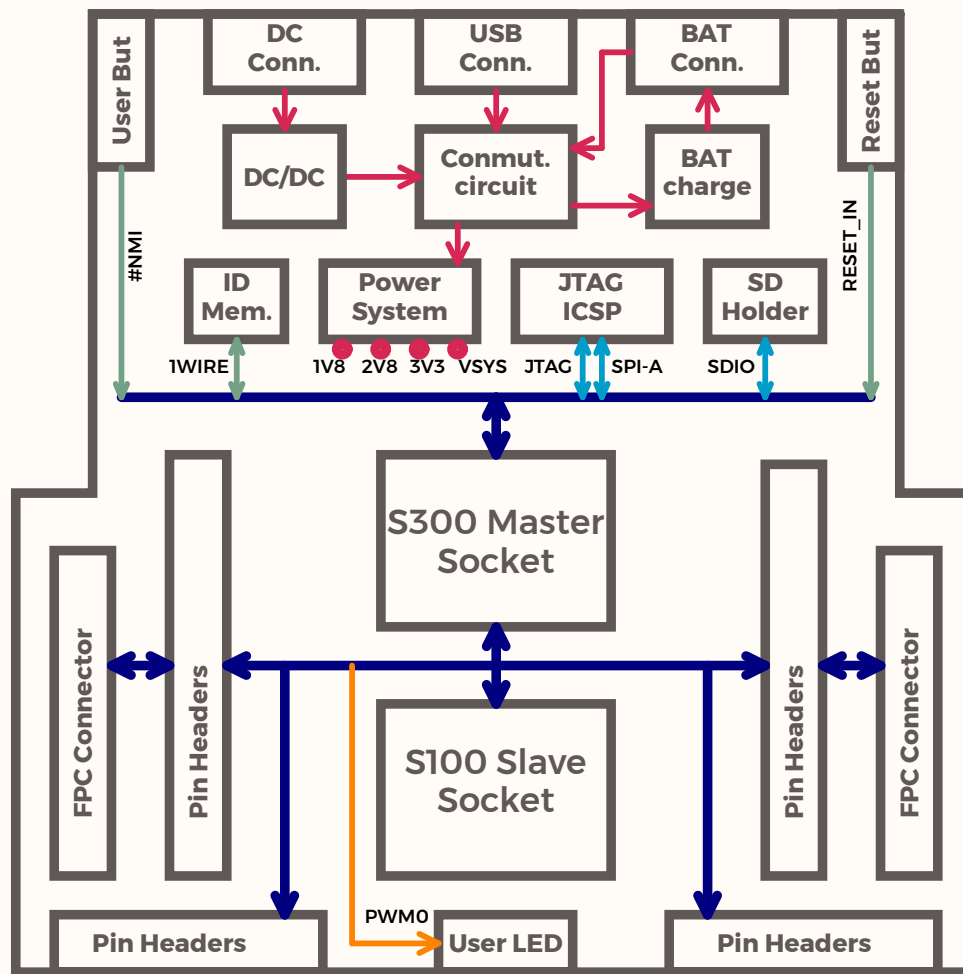


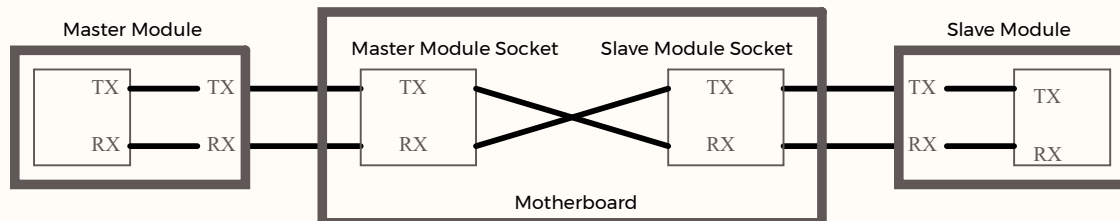
Class 3 - Helios

Page	Title
1	Index
2	Block Diagram
3	Class 2 - S300a Master Socket
4	Class 2 - S300b Master Socket
5	Class 2 - S300c Master Socket
6	Class 2 - S100 Slave Socket 1
7	Shield
8	FPC Connectors
9	Auxiliary Circuits
10	Power Management
11	Production

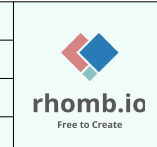
Title: 01. Index.SchDoc		 rhomb.io Free to Create
Engineer: G. Alejos	Date: 12/02/2019	
Project: Class 3 - Helios.PrjPcb		
Revision: v1.0	Sheet: 1 of 11	



UART CONNECTIONS

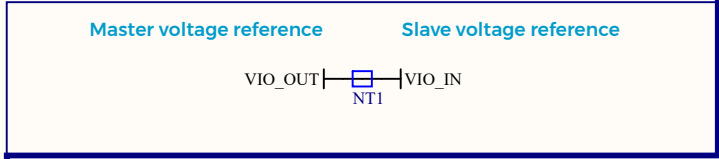
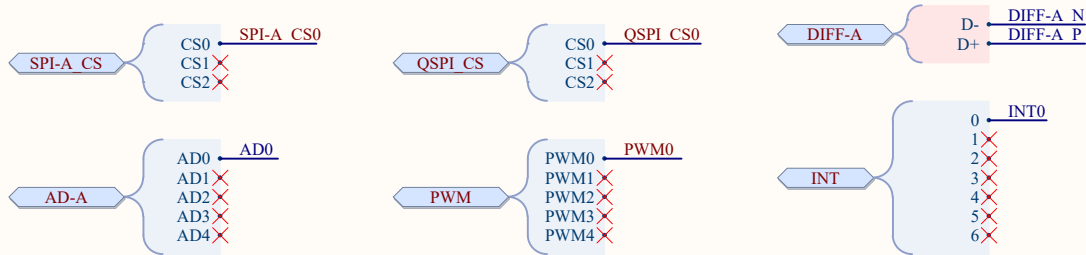
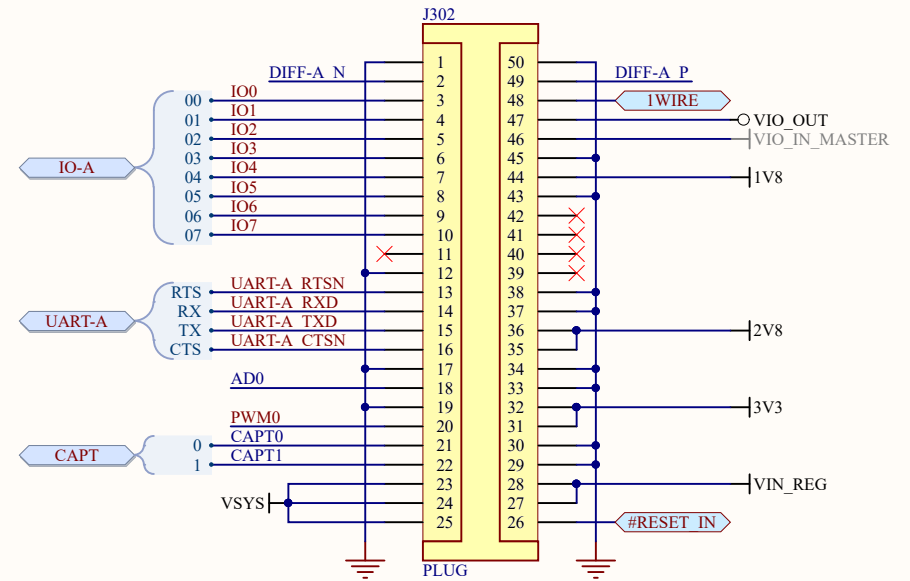
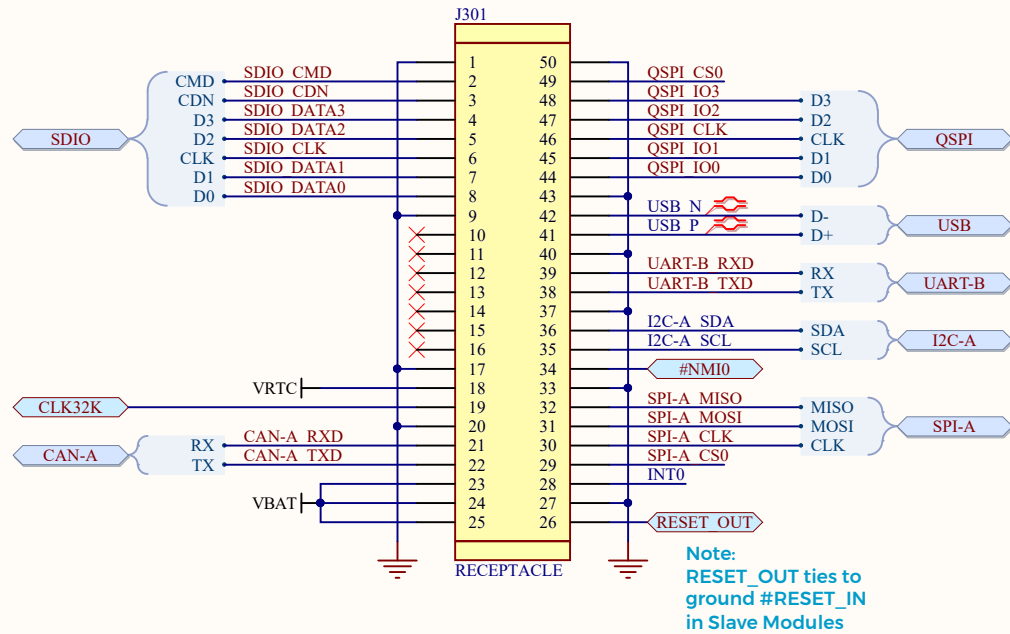


Title: 02. Block Diagram.SchDoc	
Engineer: G. Alejos	Date: 12/02/2019
Project: Class 3 - Helios.PrjPcb	
Revision: v1.0	Sheet: 2 of 11



CLASS 3 - S300a MASTER SOCKET

TOP VIEW

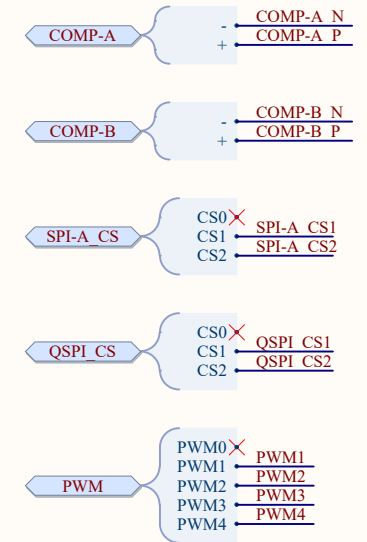
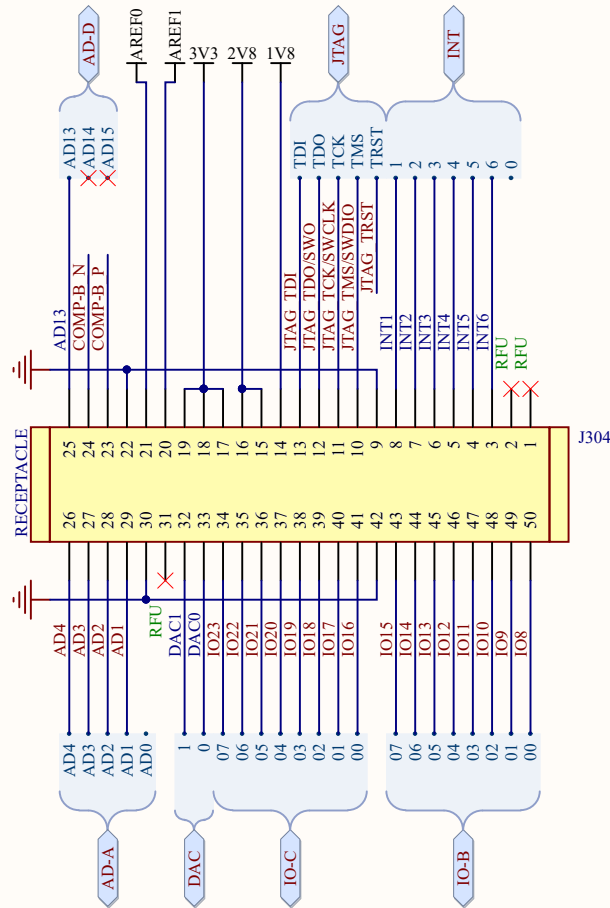
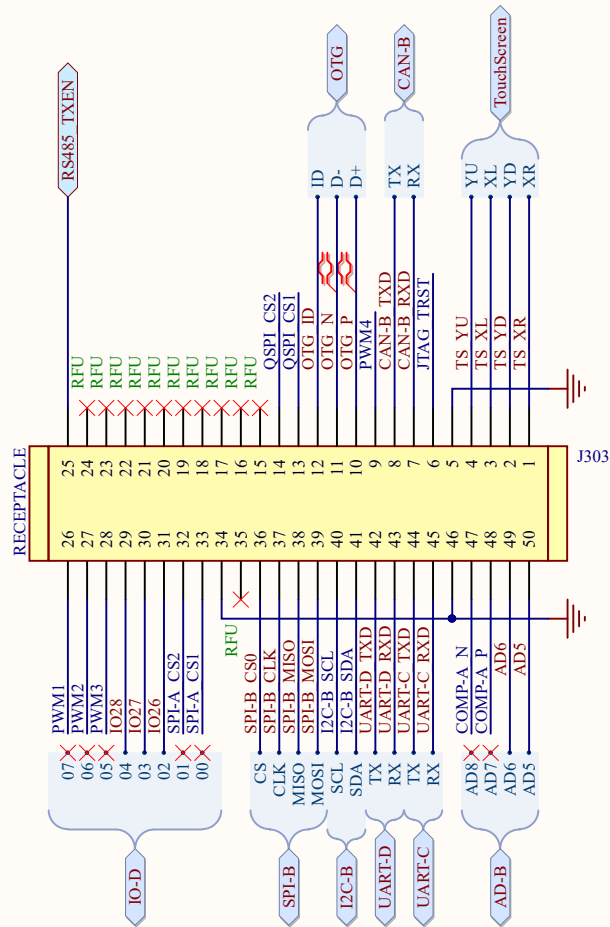


Title: 03. Class 2 - S300a Master Socket.SchDoc	
Engineer: G. Alejos	Date: 12/02/2019
Project: Class 3 - Helios.PrjPcb	
Revision: v1.0	Sheet: 3 of 11



CLASS 3 - S300b MASTER SOCKET

TOP VIEW

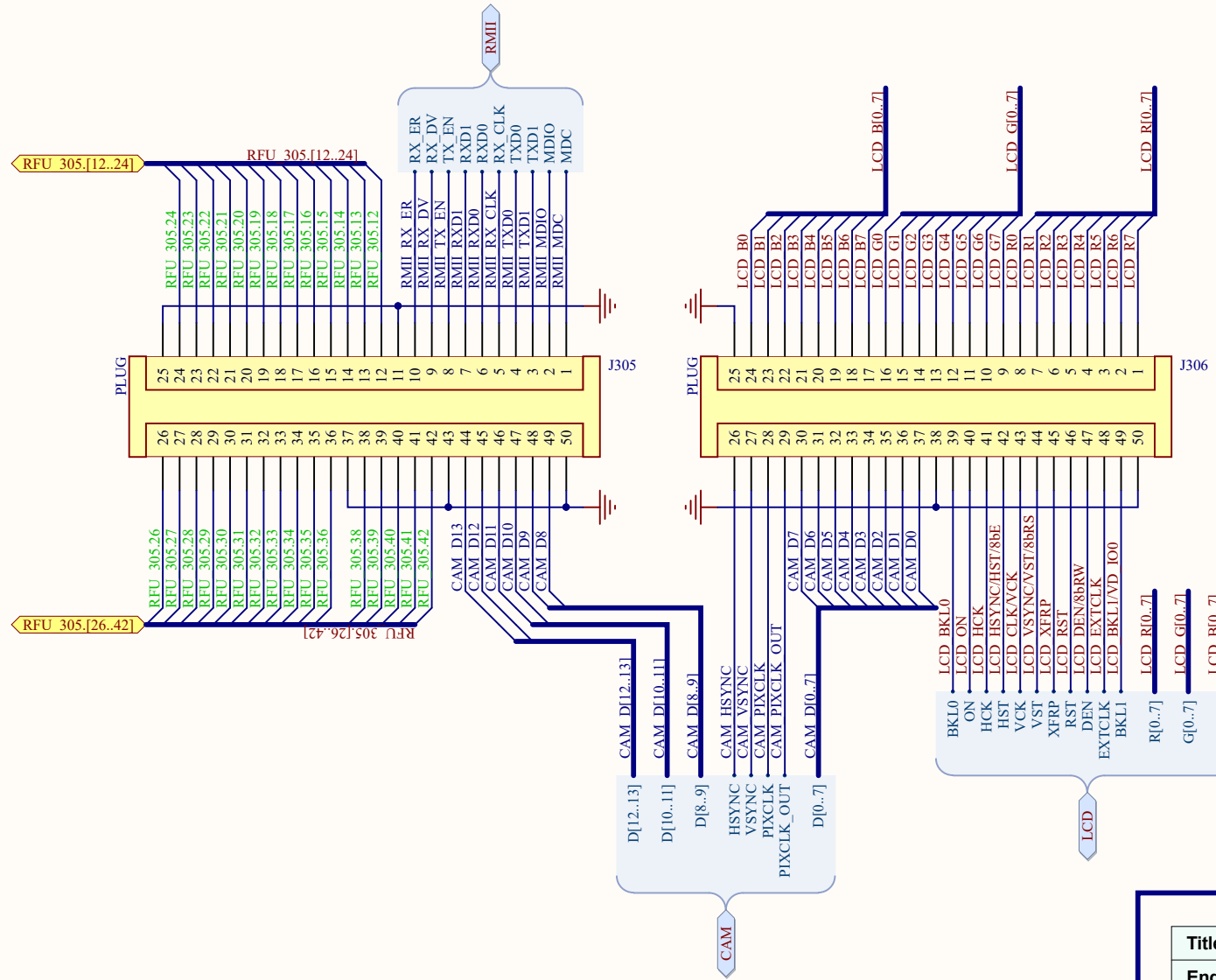


Title: 04. Class 2 - S300b Master Socket.SchDoc	
Engineer: G. Alejos	Date: 12/02/2019
Project: Class 3 - Helios.PrjPcb	
Revision: v1.0	Sheet: 4 of 11



CLASS 3 - S300c MASTER SOCKET

TOP VIEW

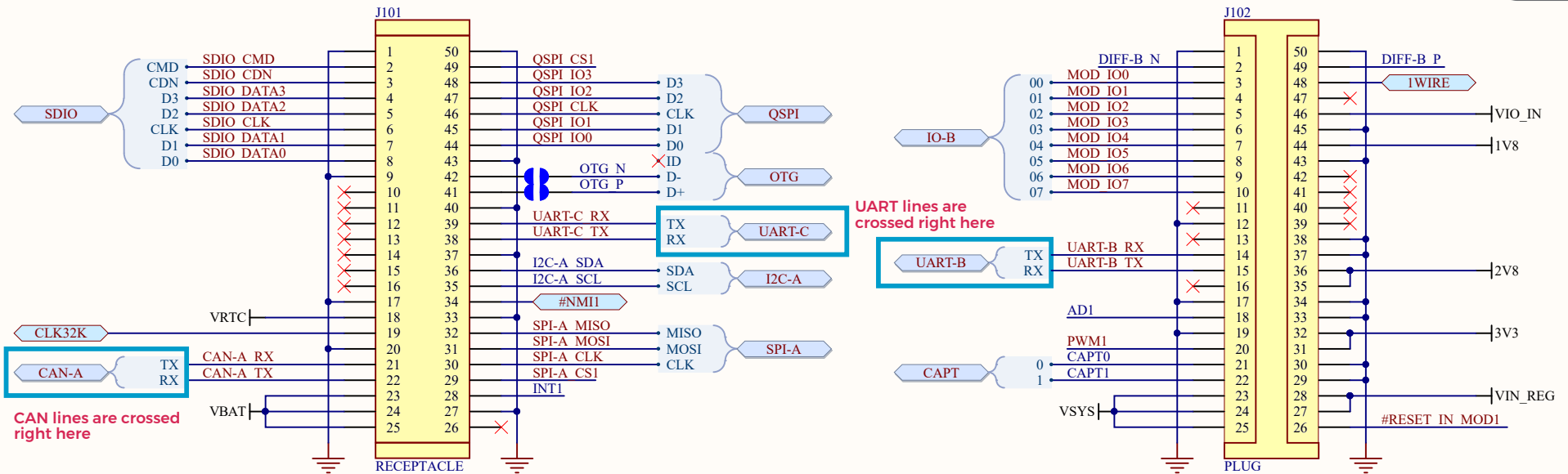


Title: 05. Class 2 - S300c Master Socket.SchDoc	
Engineer: G. Alejos	Date: 12/02/2019
Project: Class 3 - Helios.PrjPcb	
Revision: v1.0	Sheet: 5 of 11



CLASS 3 - S100 SLAVE SOCKET

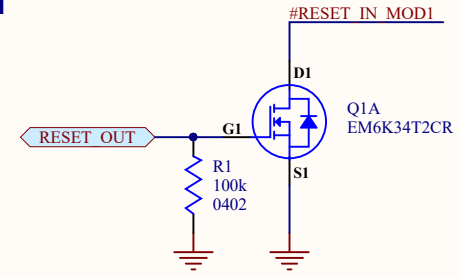
TOP VIEW



CAN lines are crossed right here

UART lines are crossed right here

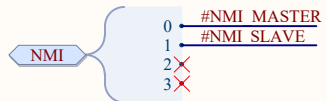
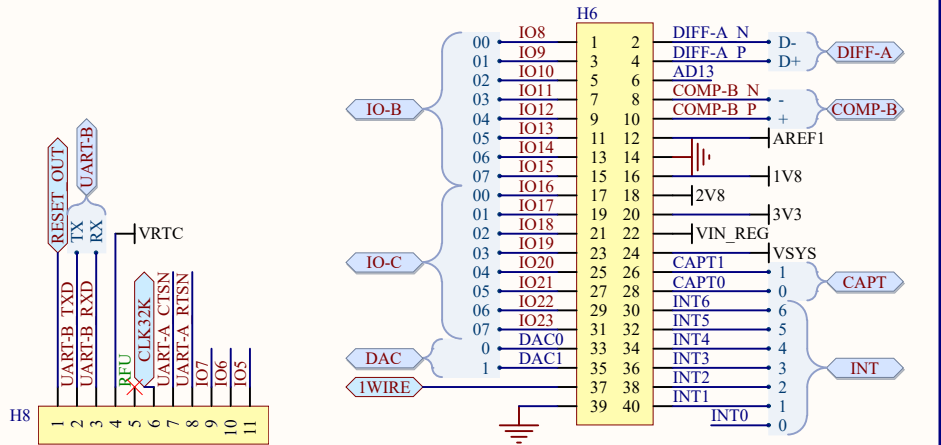
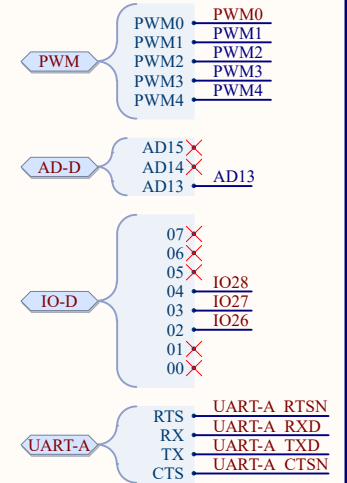
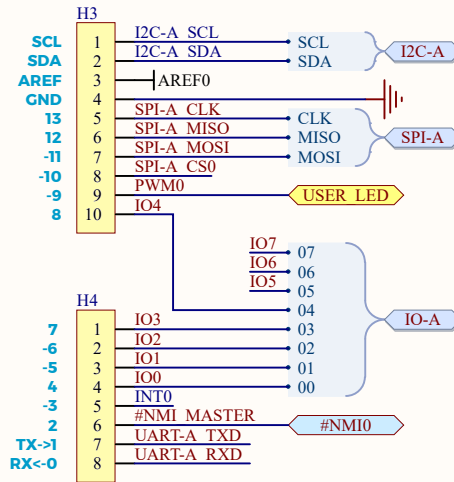
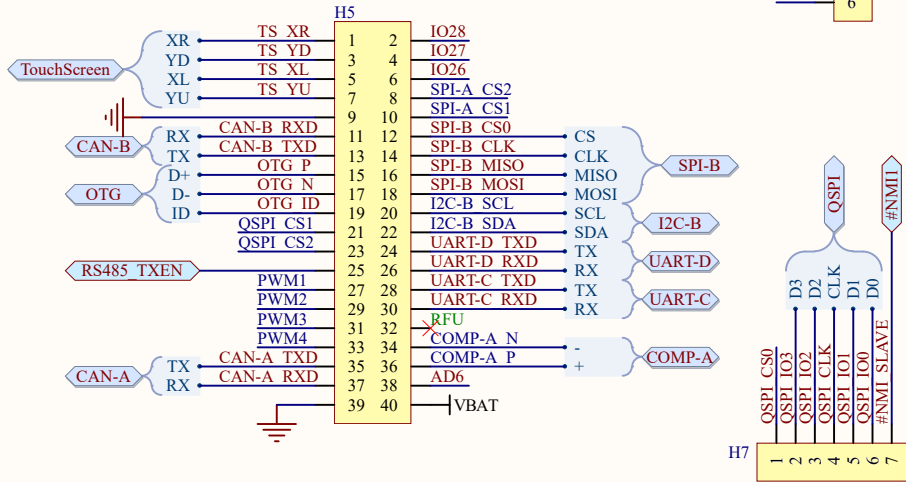
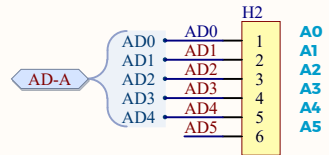
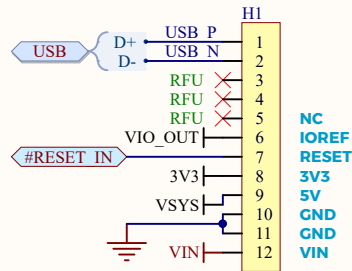
RESET



Title: 06. Class 2 - S100 Slave Socket .SchDoc	
Engineer: G. Alejos	Date: 12/02/2019
Project: Class 3 - Helios.PrjPcb	
Revision: v1.0	Sheet: 6 of 11



HEADERS



Title: 07. Shield.SchDoc

Engineer: G. Alejos

Date: 12/02/2019

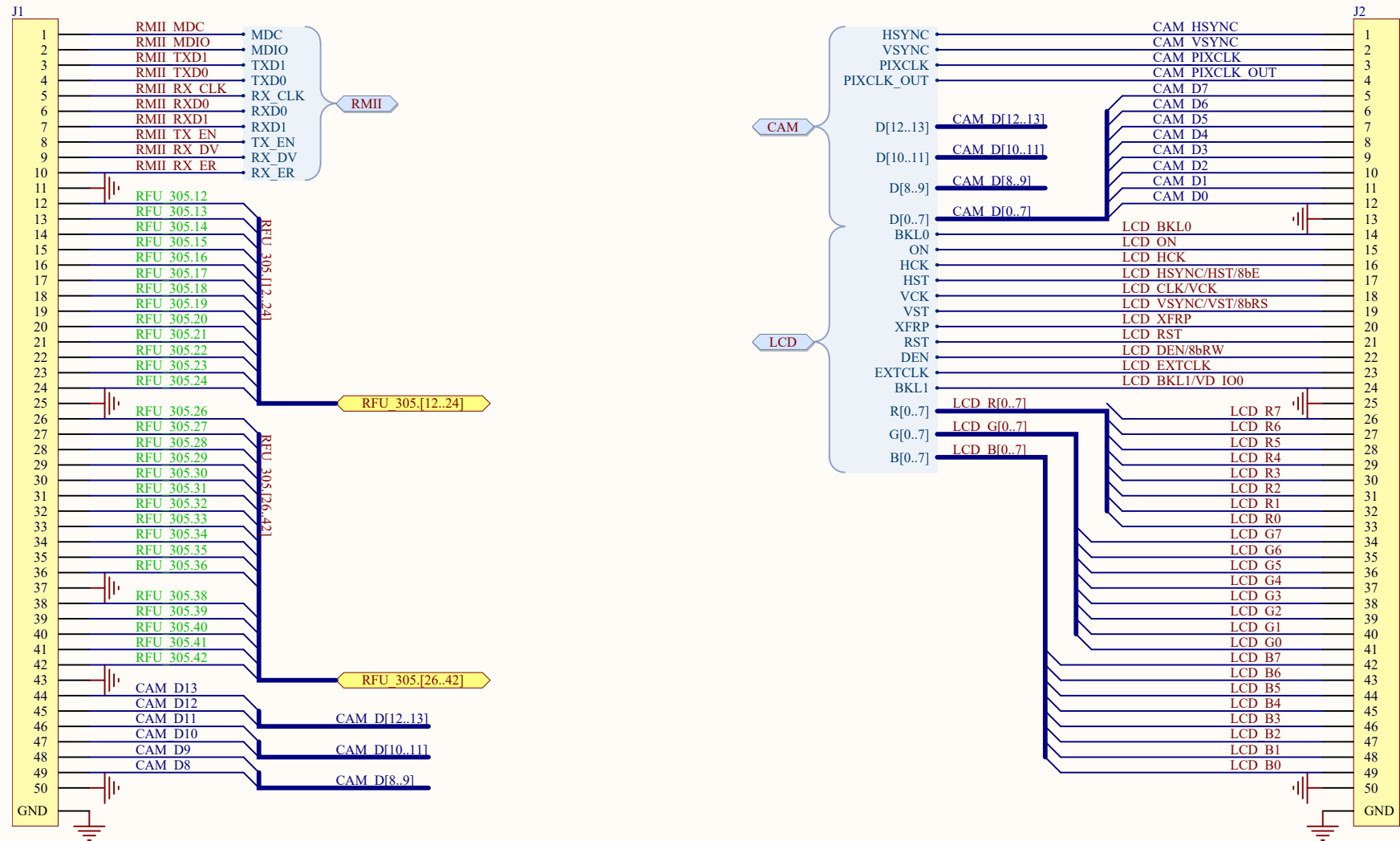
Project: Class 3 - Helios.PrjPcb

Revision: v1.0

Sheet: 7 of 11



FPC CONNECTORS



Title: 08. FPC Connectors.SchDoc

Engineer: G. Alejos

Date: 12/02/2019

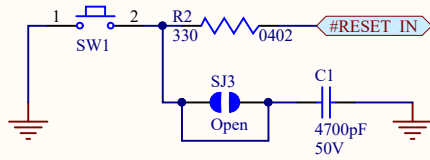
Project: Class 3 - Helios.PrjPcb

Revision: v1.0

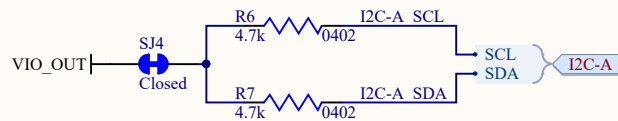
Sheet: 8 of 11



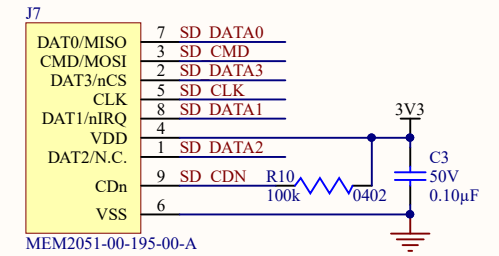
RESET BUTTON



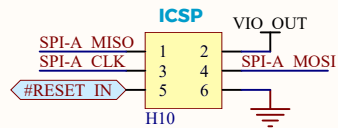
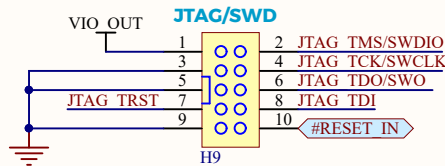
I2C PULL-UP



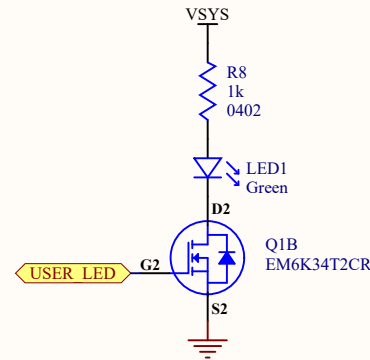
uSD HOLDER



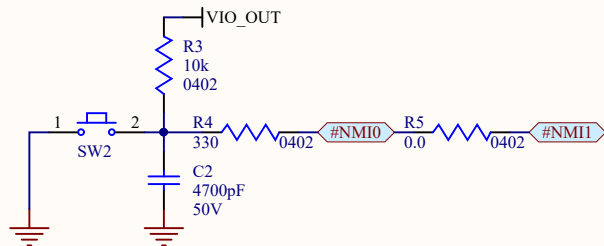
PROGRAMMING AND DEBUG



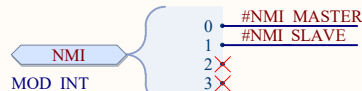
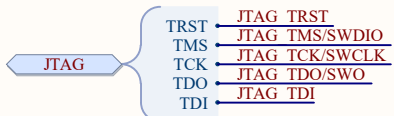
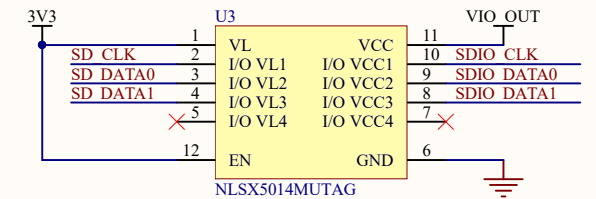
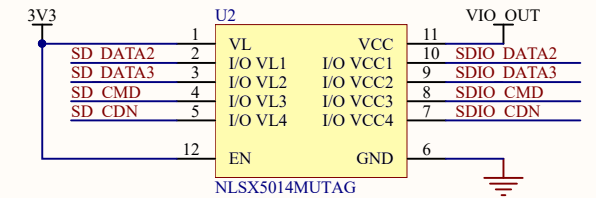
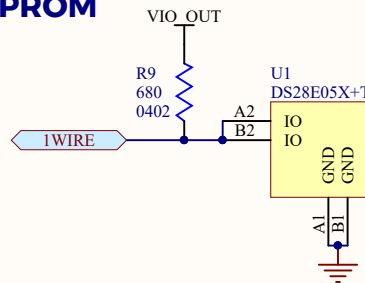
USER LED



USER BUTTON



ID EEPROM



Title: 09. Auxiliary Circuits.SchDoc

Engineer: G. Alejos

Date: 12/02/2019

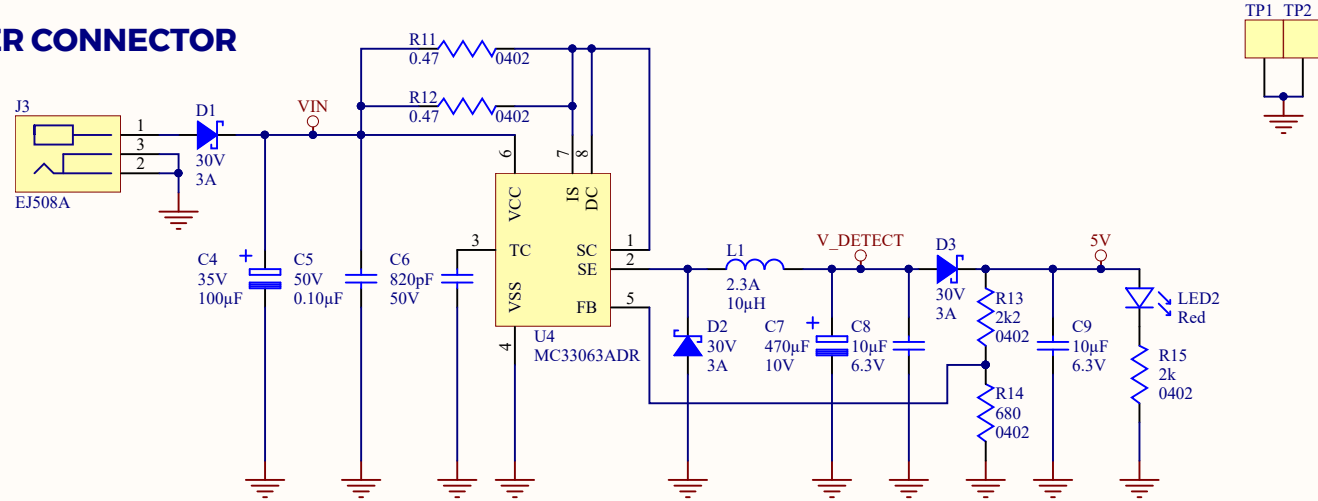
Project: Class 3 - Helios.PrjPcb

Revision: v1.0

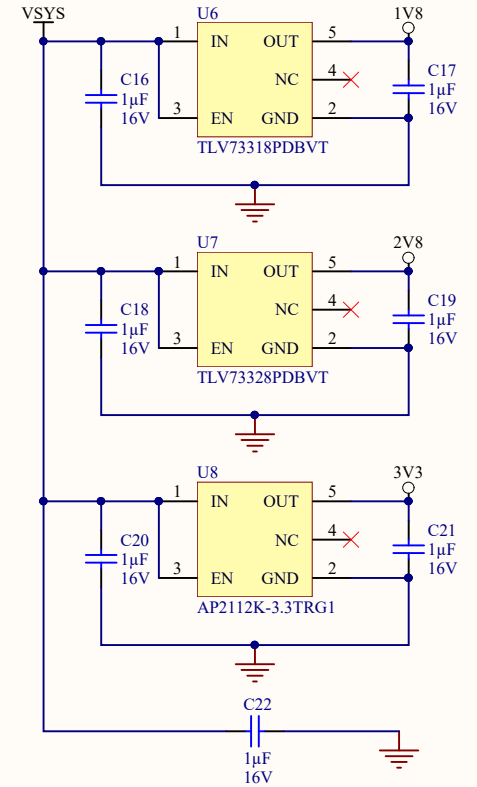
Sheet: 9 of 11



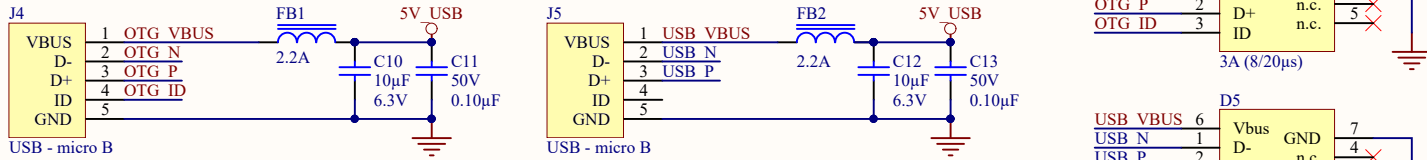
POWER CONNECTOR



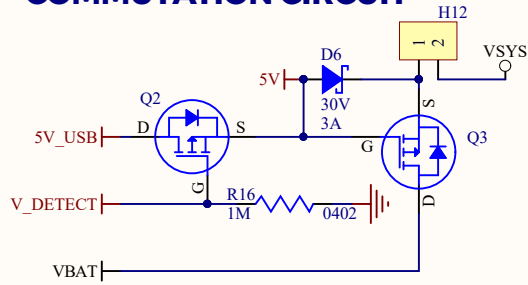
MODULE SUPPLIES



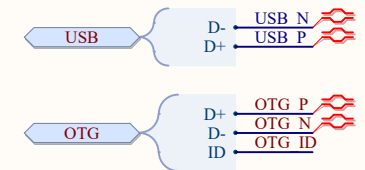
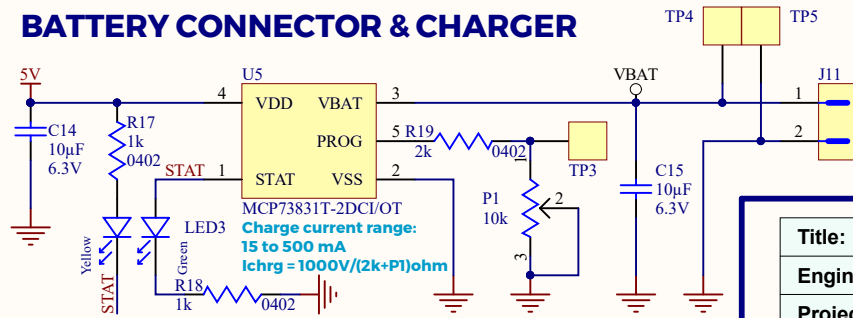
USB CONNECTORS



COMMUTATION CIRCUIT



BATTERY CONNECTOR & CHARGER



Title: 10. Power Management.SchDoc	
Engineer: G. Alejos	Date: 12/02/2019
Project: Class 3 - Helios.PrjPcb	
Revision: v1.0	Sheet: 10 of 11



1

2

3

4

A

A

PCB

A PCB
 Class 2
 HELIOS
 v1.0
 RLRHBHELIOS201711

B

B

TOP LAYER FIDUCIALS

BOTTOM LAYER FIDUCIALS

FD1
 MAIN FIDUCIAL




FD3
 SECONDARY FIDUCIAL



FD2
 SECONDARY FIDUCIAL



FD4
 MAIN FIDUCIAL



FD6
 SECONDARY FIDUCIAL



FD5
 SECONDARY FIDUCIAL



C

C

D

D

Title: 11. Production.SchDoc	
Engineer: G. Alejos	Date: 12/02/2019
Project: Class 3 - Helios.PrjPcb	
Revision: v1.0	Sheet: 11 of 11



1

2

3

4