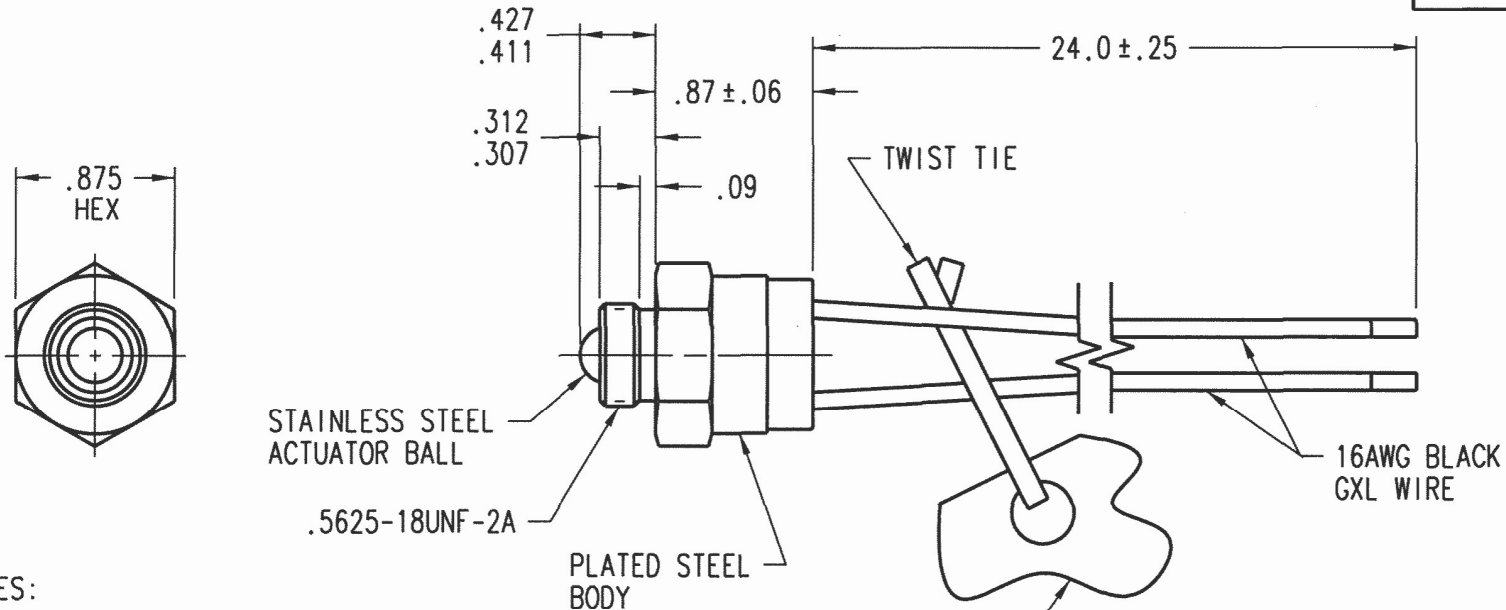


DRAWING NO.

J4001-540



## NOTES:

## 1. ELECTRICAL CHARACTERISTICS:

A. CONTACT ARRANGEMENT: NORMALLY OPEN

B. CURRENT RATING AT 28 VDC:

10 AMPS RESISTIVE

5 AMPS INDUCTIVE

## 2. INSTALLATION TORQUE:

10 FOOT-POUNDS MAXIMUM

## 3. OPERATING TEMPERATURE RANGE: -50°F TO 250°F.

## 4. PROPER APPLICATION OF THIS PRODUCT IS THE RESPONSIBILITY OF THE USER.

REV	DESCRIPTION	DATE	BY	APP	UNLESS OTHERWISE SPECIFIED DIMENSIONS ARE IN INCHES		APPROVALS		DATE	CPI CONTROL PRODUCTS, INC. EAST HANOVER, NEW JERSEY WWW.CPI-NJ.COM		
					TOLERANCES ARE:		DRAWN	GHS	7/27/21	TITLE SEALED BALL SWITCH INSTALLATION DRAWING		
					.X ± .1   .XX ± .03   .XXX ± .015   ANG ± 5°		CHECKED					
					MATERIAL		ISSUED	ECN7184	ROG 7/27/21	SIZE A		
					FINISH AND HEAT TREAT		DIGI-KEY		SCALE NONE			
REVISIONS					DO NOT SCALE DRAWING					SHEET 1 OF 1		
THE INFORMATION FURNISHED HEREIN IS THE PROPERTY OF CONTROL PRODUCTS, INC. AND SHALL NOT BE USED, DISCLOSED TO OTHERS, OR COPIED WITHOUT THE EXPRESS WRITTEN CONSENT OF CONTROL PRODUCTS, INC.												