

6

5

4

3

2

1

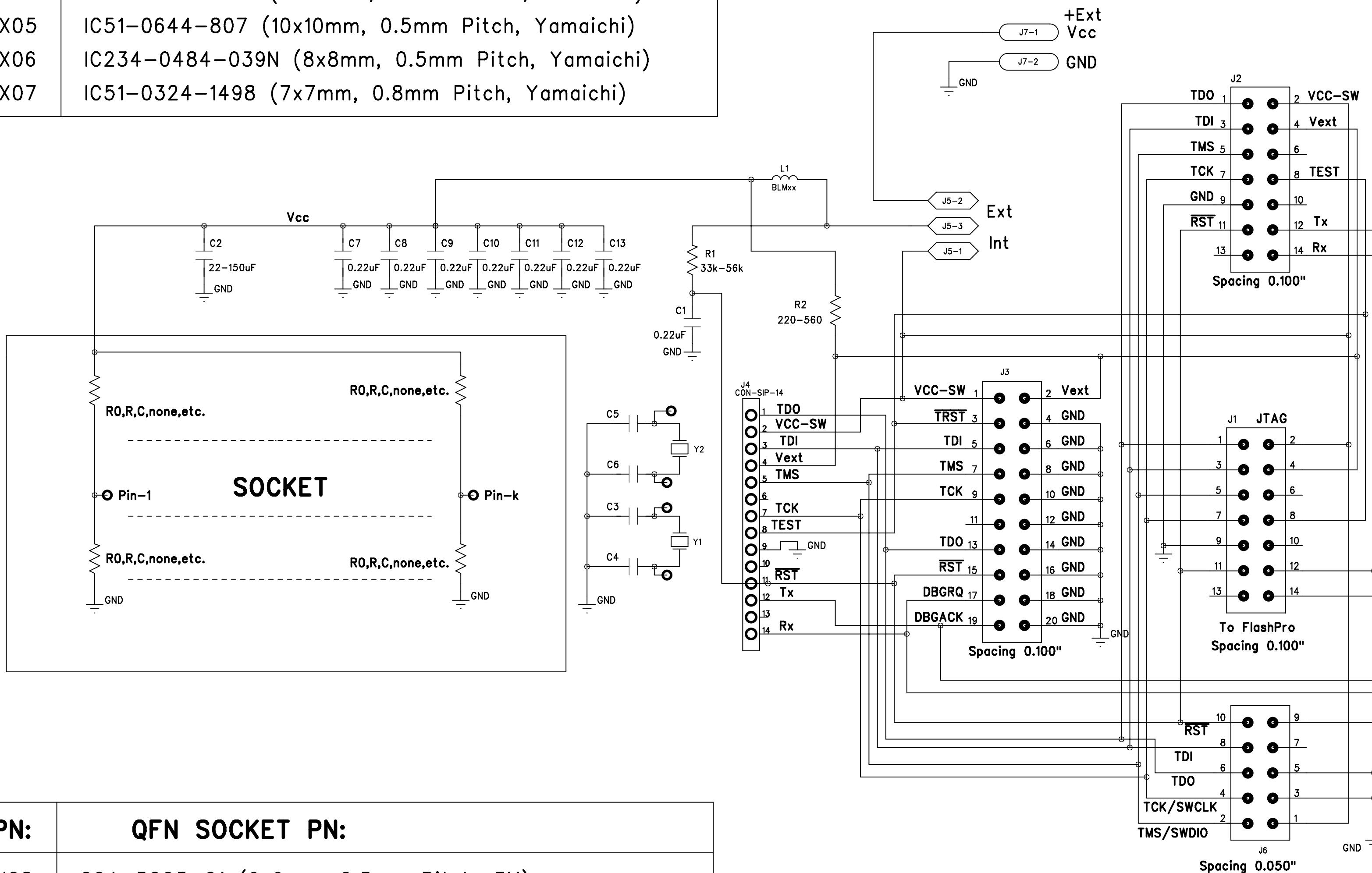
ELPROTRONIC INC.

Page 1 of 1

Title: Universal Socket boards
Type

Version 1.0

| Package | PCB PN: | QFP SOCKET PN: |
|---------|----------|--|
| QFP-144 | PE047X02 | IC201-1444-026N-2 (20x20mm, 0.5mm Pitch, Yamaichi) |
| QFP-100 | PE047X03 | IC201-1004-008 (14x14mm, 0.5mm Pitch, Yamaichi) |
| QFP-80 | PE047X04 | IC201-0804-014 (12x12mm, 0.5mm Pitch, Yamaichi) |
| QFP-64 | PE047X05 | IC51-0644-807 (10x10mm, 0.5mm Pitch, Yamaichi) |
| QFP-48 | PE047X06 | IC234-0484-039N (8x8mm, 0.5mm Pitch, Yamaichi) |
| QFP-32 | PE047X07 | IC51-0324-1498 (7x7mm, 0.8mm Pitch, Yamaichi) |



| Package | PCB PN: | QFN SOCKET PN: |
|---------|----------|---|
| QFN-64 | PE047X08 | 264-5205-01 (9x9mm, 0.5mm Pitch, 3M) |
| QFN-48 | PE047X09 | 48QN50S17070 (7x7mm, 0.5mm Pitch, Plastronics) |
| QFN-32 | PE047X10 | 32QN50S15050 (5x5mm, 0.5mm Pitch, Plastronics) |
| QFN-68 | PE047X11 | 68QN40S18080 (8x8mm, 0.4mm Pitch, Plastronics) |
| QFN-48 | PE047X12 | 48QN40TS16060 (6x6mm, 0.4mm Pitch, Plastronics) |
| QFN-32 | PE047X13 | 32QN40TS24040 (4x4mm, 0.4mm Pitch, Plastronics) |

Note - J6 only with boards with QFN sockets

| Revision | |
|----------|--|
| 1 | |
| 2 | |
| | |
| | |
| | |

Design:
G.CZAJKOWSKI
08-June-2020

Page 1 of 1