

High Frequency Ceramic Solutions

UWB Band Pass Filter, EIA 0805, High Rejection

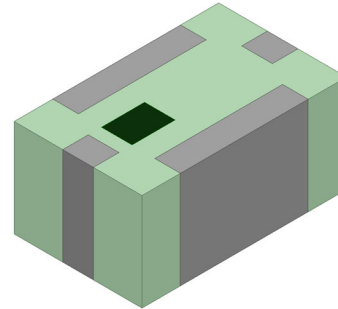
P/N 7240BP15B2000

Detail Specification: 4/29/2020

Page 1 of 4

General Specifications

Part Number	7240BP15B2000
Frequency (MHz)	6240 - 8240
Impedance (Ohm)	50
Insertion Loss (dB)	1.8 typ. (2.5 max.)
Return Loss (dB)	11 typ. (10 min.)
Group Delay (ns)	0.8 typ. (3.0 max.)
Group Delay Ripple (ns)	0.5 typ. (1.0 max.)
Power Capacity	3W max. (CW)



Frequency (MHz)	Attenuation (dB)	Operating Temperature	
DC - 5200	38 typ. (35 min.)	Operating Temperature	-40 to +85°C
2400 - 2500	43 typ. (35 min.)		
5200 - 5860	19 typ. (15 min.)	Recommended Storage Conditions and Period for unused T&R Product	+5 to +35°C 45 to 75%RH 18 months max.
9000 - 9500	28 typ. (10 min.)		
9500 - 18000	32 typ. (30 min.)		
		Reel Quantity	4,000

P/N Suffix	Packing Style	Bulk	Suffix = S	eg. 7240BP15B2000S
		T & R	Suffix = E	eg. 7240BP15B2000E
Evaluation Board		7240BP15B2000-EB1SMA (2 Female SMA connectors 50Ω)		

For more band-pass filters, go to: <https://www.johansontechnology.com/band-pass-filters>

Mechanical Specifications

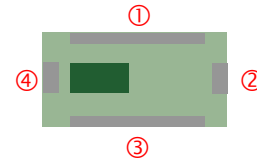
	In	mm
L	0.079 ± 0.006	2.00 ± 0.15
W	0.049 ± 0.004	1.25 ± 0.10
T	0.037 ± 0.004	0.95 ± 0.10
a	0.049 ± 0.006	1.25 ± 0.15
b	0.012 ± 0.006	0.30 ± 0.15
c	0.010 ± 0.006	0.25 ± 0.15
d	0.014 ± 0.006	0.35 ± 0.15

(Top) (Side)

Want the mechanical model or layout file of the above? Send us a message at: <https://www.johansontechnology.com/ask-a-question>

Terminal Configuration

No.	Function	No.	Function
1	GND	3	GND
2	IN/OUT	4	IN/OUT



If you would like the measured s-parameters, contact us at:

<https://www.johansontechnology.com/ask-a-question>

Johanson Technology, Inc. reserves the right to make design changes without notice.

All sales are subject to Johanson Technology, Inc. terms and conditions.



<https://www.johansontechnology.com>

4001 Calle Tecate • Camarillo, CA 93012 • TEL 805.389.1166 FAX 805.389.1821

Ver. 1.0

2020 Johanson Technology, Inc. All Rights Reserved

High Frequency Ceramic Solutions

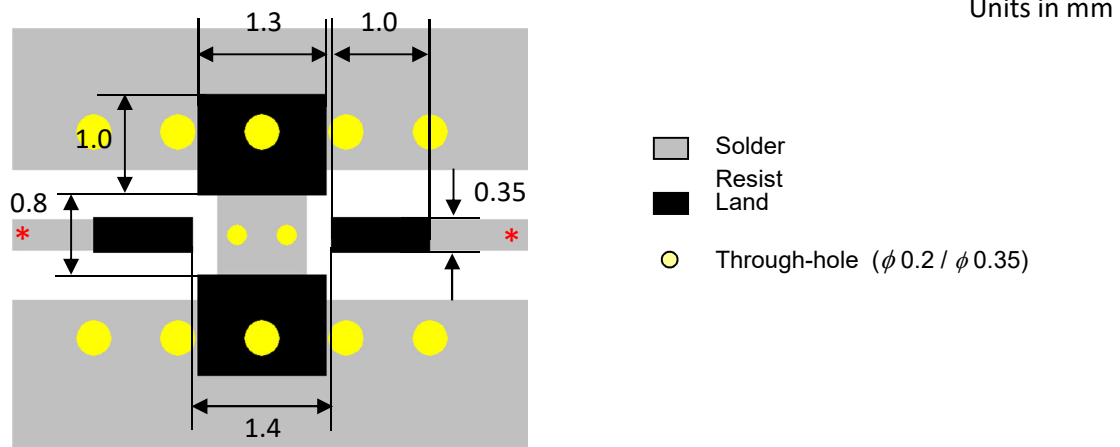
UWB Band Pass Filter, EIA 0805, High Rejection

P/N 7240BP15B2000

Detail Specification: 4/29/2020

Page 2 of 4

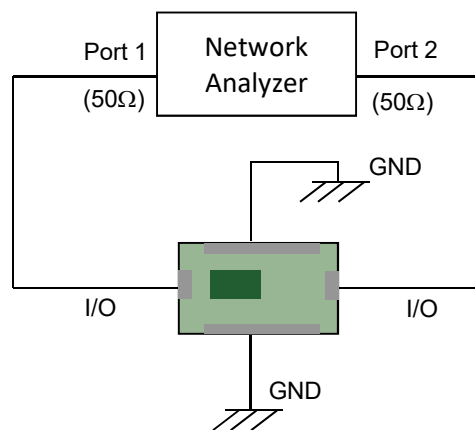
Mounting Considerations



* Line width should be designed to match 50 Ω characteristic impedance, depending on PCB material and thickness.

Want the layout file of the above? Send us a message at: <https://www.johansontechnology.com/ask-a-question>

Measuring Diagram



Johanson Technology, Inc. reserves the right to make design changes without notice.
All sales are subject to Johanson Technology, Inc. terms and conditions.

High Frequency Ceramic Solutions

UWB Band Pass Filter, EIA 0805, High Rejection

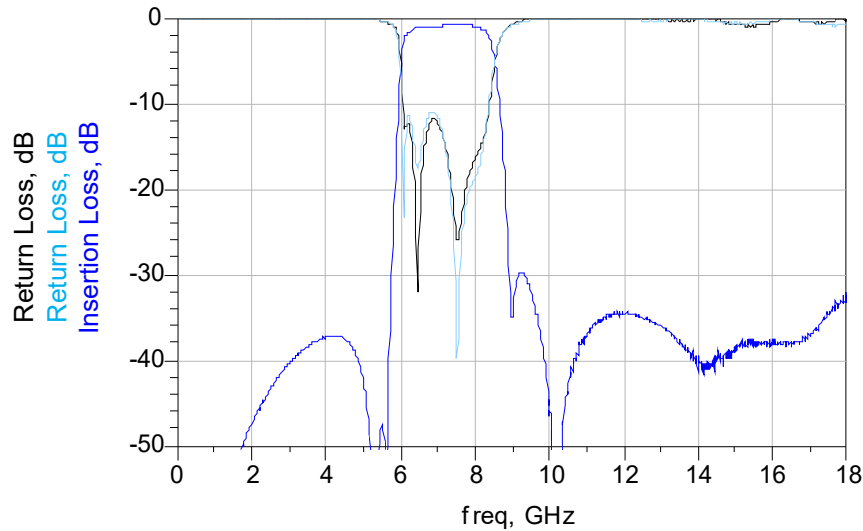
P/N 7240BP15B2000

Detail Specification: 4/29/2020

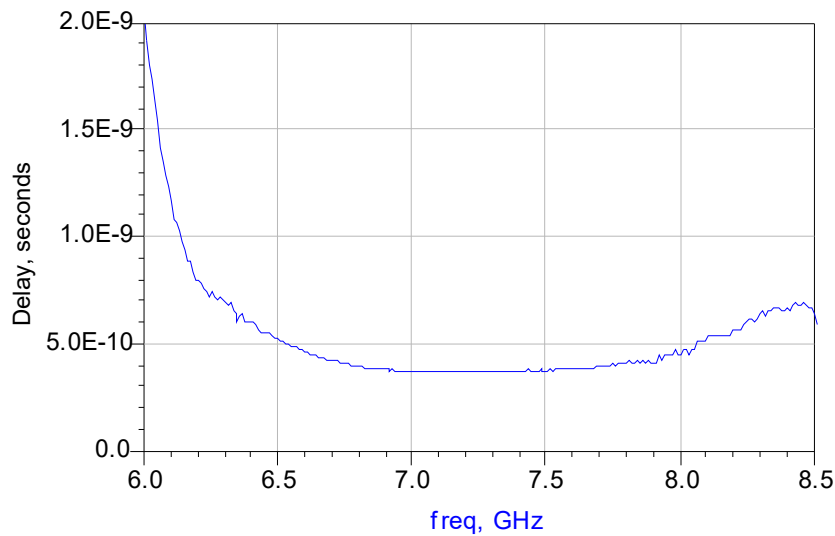
Page 3 of 4

Typical Electrical Characteristics (T=25°C)

Insertion Loss, Return Loss, Harmonic Attenuation



Group Delay



Johanson Technology, Inc. reserves the right to make design changes without notice.
All sales are subject to Johanson Technology, Inc. terms and conditions.



<https://www.johansontechnology.com>

4001 Calle Tecate • Camarillo, CA 93012 • TEL 805.389.1166 FAX 805.389.1821

Ver. 1.0

2020 Johanson Technology, Inc. All Rights Reserved

High Frequency Ceramic Solutions

UWB Band Pass Filter, EIA 0805, High Rejection

P/N 7240BP15B2000

Detail Specification: 4/29/2020

Page 4 of 4

More BPF info such as measured s-parameters and ordering details at:

<https://www.johansontechnology.com/band-pass-filters>

UWB mini embedded Antennas

<https://www.johansontechnology.com/antennas>

Soldering Information

<https://www.johansontechnology.com/ipcsoldering-profile>

MSL Info

<https://www.johansontechnology.com/msl-rating>

Recommended Storage Condition and Max Shelf Life

<https://www.johansontechnology.com/recommended-storage-conditions>

RoHS Compliance

<https://www.johansontechnology.com/rohs-compliance>

Layout review services

<https://www.johansontechnology.com/ask-a-question>

Antenna layout review, tuning, and characterization services

<https://www.johansontechnology.com/ipc-antenna-services>

Packaging information

<https://www.johansontechnology.com/tape-reel-packaging>

Johanson Technology, Inc. reserves the right to make design changes without notice.

All sales are subject to Johanson Technology, Inc. terms and conditions.



<https://www.johansontechnology.com>

4001 Calle Tecate • Camarillo, CA 93012 • TEL 805.389.1166 FAX 805.389.1821

Ver. 1.0

2020 Johanson Technology, Inc. All Rights Reserved