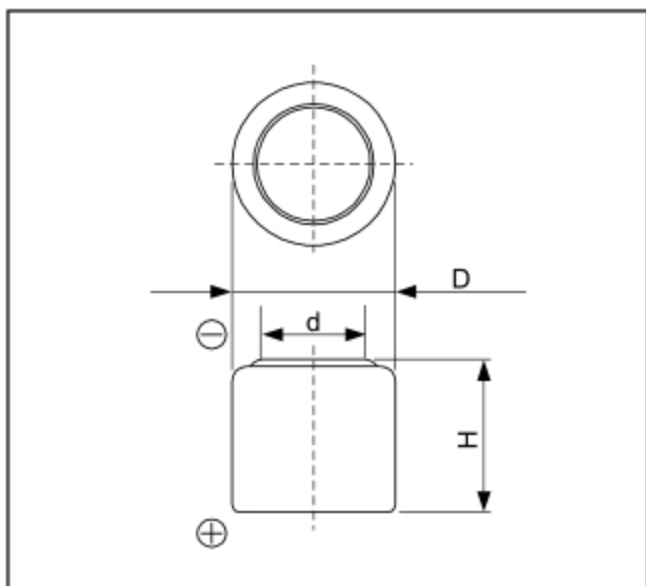


# BATTERY GUY

## Lithium

# Cell Type CR-1/3N

## Specifications



Nominal Voltage (V)		3	
Nominal Capacity (mAh) <sup>*1</sup>		160	
Standard Discharge Current (mA)		2	
Max. Discharge Current (mA)	Continuous <sup>*2</sup>	60	
	Pulse <sup>*3</sup>	80	
Temperature Range (°C)		-20 ~ +60	
Weight (g)		3.3	
Dimensions (mm)		D	11.6
		H	10.8
		d	7.8

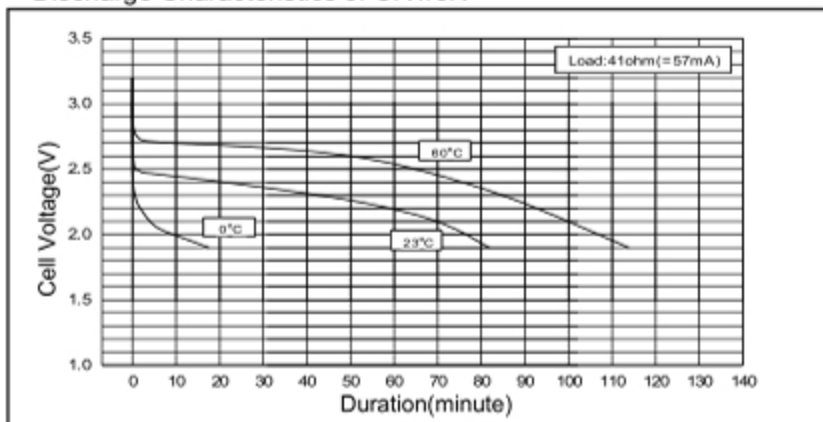
\*1 Nominal capacity is determined to an end voltage of 2.0V when the battery is allowed to discharge at a standard current level at 23°C.

\*2 Current value is determined to be the level at which 50% of the nominal capacity is obtained with an end voltage of 2.0V at 23 °C.

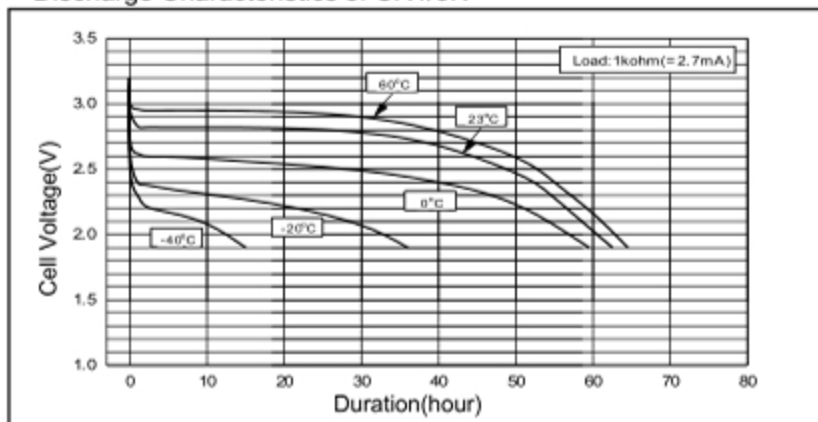
\*3 Current value for obtaining 2.0V cell voltage when pulse is applied for 15seconds at 50% discharge depth at 23 °C.

### Typical Characteristics

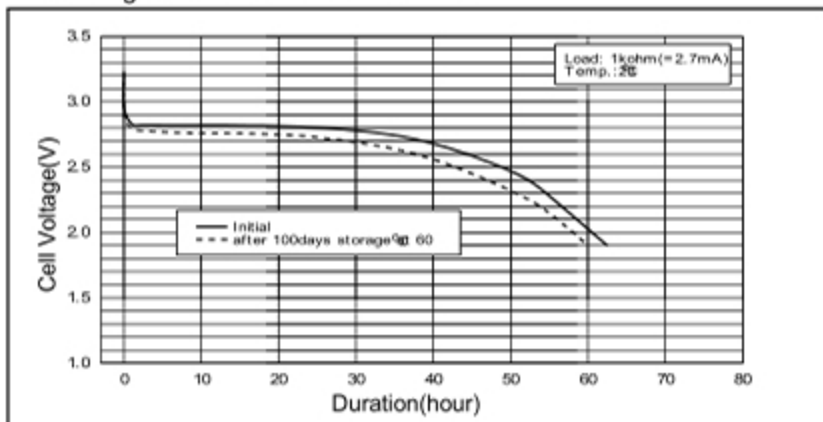
Discharge Characteristics of CR1/3N



Discharge Characteristics of CR1/3N



Discharge Characteristics of CR1/3N



Discharge Load vs. Capacity of CR1/3N

