

1 2 3 4 5 6 7 8

A Snap latch assembly p/n description :

R - M B 1 - X - X P X X - - X X X X - X

1 Bonded
 2 Medical
 3 Style B1=PK(Receptacle with two nuts) (back panel mounting)
 ----solder termination

4 Outer shell material
 G=Grey psu
 B=Black psu
 M=White psu
 F=Black pei
 P=Grey pei

5 Back nut material
 0=Black
 1=White
 2=Red
 4=Yellow
 5=Green
 6=Blue
 8=Grey

6 Insulator P=Peek

7 Contact diameter
 1=1.3mm (only for 2;3 pin)
 2=0.9mm (only for 4;5 pin)
 3=0.7mm (only for 6;7;8 pin)
 4=0.5mm (only for 9;10;12;14 pin)

8 Contact plating
 1=Gold plated 1u"
 2=Gold plated 20u"
 3=Gold plated 30u"

9 Cable collet
 0=No cable collet

10 Coding
 0= 0°
 A= 40°
 C= 60°
 E= 80°
 H=170°
 S= 190°
 J= 205°

11 Number of contacts
 02=2 Pin
 03=3 Pin
 04=4 Pin
 05=5 Pin
 06=6 Pin
 07=7 Pin
 08=8 Pin
 09=9 Pin
 10=10 Pin
 12=12 Pin
 14=14 Pin

12 Logo
 0="nextron" Logo AND "GRASP HERE" Logo
 G=NO LOGO,with "GRASP HERE" Logo

Notes:
 1.Material
 Outer shell : psu/pei
 Insulator : peek
 Contact : cooper alloy
 Hex nut : copper alloy
 Front nut : psu/pei
 2.Mechanical characteristics
 Endurance: 300 mating cycles or 2000 mating cycles
 Insertion force: 19.6 N Max
 Pull-out force: 19.6 N Max
 Retention force : 90N Min.
 3.Electrical specifications
 Insulation resistance: 1000MΩ

Characteristics	2Pin	3Pin	4Pin	5Pin	6Pin	7Pin	8Pin	9Pin	10Pin	12Pin	14Pin
Contact resistance /mΩ max	3.5	3.5	4.5	4.5	6.5	6.5	6.5	8.5	8.5	8.5	8.5
Dielectric withstanding volt /kV ac rms	1.2	1.2	1.2	1.05	1.05	1.05	1.05	0.85	0.85	0.75	0.6
Current rating /A per pin	10	10	8	7	6	5	5	3	3	2.5	2

4.Characteristics
 Temperature range: Psu shell: -50~+150°C
 Pei shell : -50~+170°C
 Protection index: IP 50
 Humidity: 60°C at 95% HR comply with EIA-364-31
 5.Number of contact : 2 to 14 position
 6.All dimensions are in millimeters.
 7.RoHS directive compliance
 Panel hole

View from termination side

Positions	View from termination side
2 Pin	
3 Pin	
4 Pin	
5 Pin	
6 Pin	
7 Pin	
8 Pin	
9 Pin	
10 Pin	
12 Pin	
14 Pin	

UNITS:
 mm inch
 SIZE A3
 NAME: SNAP LATCH Receptacle with tow nut
 PART NO: RMB1XXPXXXXXXX
 APPD: Alex梁良駒 2020/04/14
 CHKD: Ken張永 2020/04/14
 DRAW: Ellen孫郁婷 2020/04/14
 DESIGN: Kim徐育金 2020/04/13

GENERAL TOLERANCE:
 (UNLESS SPECIFIED)

	mm	inch
4 PLACE	± **	±. **
3 PLACE	± **	±. **
2 PLACE	± 0.20	±. **
1 PLACE	± 0.50	±. **
ANGLES	X°± 3°	

ENGINEERING ISSUE DATE 2020/04/14
 NEXTRON CORPORATION
 This file is automatically issued by EPDM and is not valid without the issue date

REV.	DESCRIPTION	DATE
A6	UPDATE DWG.	04/13'20

SCALE 1/1 SHEET 1/4 REV. A6

Snap latch assembly p/n description :

	R	-	M	B	4	-	X	-	X	-	X	X	-	X	X	X	-	X
1 Bonded																		
2 Medical																		
3 Style	B4=PK(Receptacle,nut fixing)																	
	----solder termination																	
4 Outer shell material	G=Grey psu B=Black psu M=White psu F=Black pei P=Grey pei																	
5 Back nut material	0=Black 1=White 2=Red 4=Yellow 5=Green 6=Blue 8=Grey																	
6 Insulator	P=Peek																	
7 Contact diameter	1=1.3mm (only for 2;3 pin) 2=0.9mm (only for 4;5 pin) 3=0.7mm (only for 6;7;8 pin) 4=0.5mm (only for 9;10;12;14 pin)																	
8 Contact plating	1=Gold plated 1u" 2=Gold plated 20u" 3=Gold plated 30u"																	
9 Cable collet	0=No cable collet																	
10 Coding	0= 0° A= 40° C= 60° E= 80° H=170° S= 190° J= 205°																	
11 Number of contacts	02=2 Pin 03=3 Pin 04=4 Pin 05=5 Pin 06=6 Pin 07=7 Pin 08=8 Pin 09=9 Pin 10=10 Pin 12=12 Pin 14=14 Pin																	
12 Logo	0="nextron" Logo AND "GRASP HERE" Logo G=NO LOGO,with "GRASP HERE" Logo																	

Positions	View from termination side	Pin part
2 Pin		
3 Pin		
4 Pin		
5 Pin		
6 Pin		
7 Pin		
8 Pin		
9 Pin		
10 Pin		
12 Pin		
14 Pin		

Notes:

1.Material

Outer shell : psu/pei
Insulator : peek
Contact : cooper alloy
Hex nut : copper alloy
Front nut : psu/pei

2.Mechanical characteristics

Endurance: 300 mating cycles or 2000 mating cycles
Insertion force: 19.6 N Max
Pull-out force: 19.6 N Max
Retention force : 90N Min.

3.Electrical specifications

Insulation resistance: 1000MΩ

Characteristics	2Pin	3Pin	4Pin	5Pin	6Pin	7Pin	8Pin	9Pin	10Pin	12Pin	14Pin
Contact resistance /mΩ max	3.5	3.5	4.5	4.5	6.5	6.5	6.5	8.5	8.5	8.5	8.5
Dielectric withstanding volt /kV ac rms	1.2	1.2	1.2	1.05	1.05	1.05	1.05	0.85	0.85	0.75	0.6
Current rating /A per pin	10	10	8	7	6	5	5	3	3	2.5	2

4.Characteristics

Temperature range: Psu shell: -50~+150°C
Pei shell : -50~+170°C

Protection index: IP 50

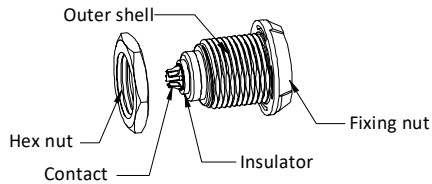
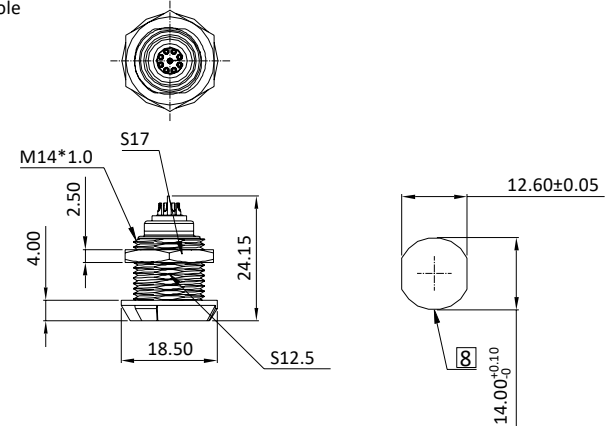
Humidity: 60°C at 95% HR comply with EIA-364-31

5.Number of contact : 2 to 14 position

6.All dimensions are in millimeters.

7.RoHS directive compliance

Panel hole



A6	UPDATE DWG.	04/13'20
REV.	DESCRIPTION	DATE

UNITS:		SIZE	NAME:		
<input checked="" type="checkbox"/> mm	<input type="checkbox"/> inch	A3	SNAP LATCH Receptacle,nut fixing		
GENERAL TOLERANCE: (UNLESS SPECIFIED)			PART NO: RMB4XXPXXXXXX		TITLE: CUSTOMER DWG.
4 PLACE	± **	±. **	APPD: Alex梁良駒	2020/04/14	DWG NO: 010-0000-459
3 PLACE	± **	±. **	CHKD: Ken張永	2020/04/14	
2 PLACE	± 0.20	±. **	DRAW: Ellen孫郁婷	2020/04/14	SCALE SHEET REV. 1/1 2/4 A6
1 PLACE	± 0.50	±. **	DESIGN: Kim徐育金	2020/04/13	
ANGLES	X° ± 3°				

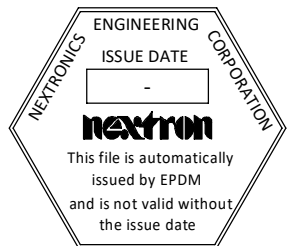
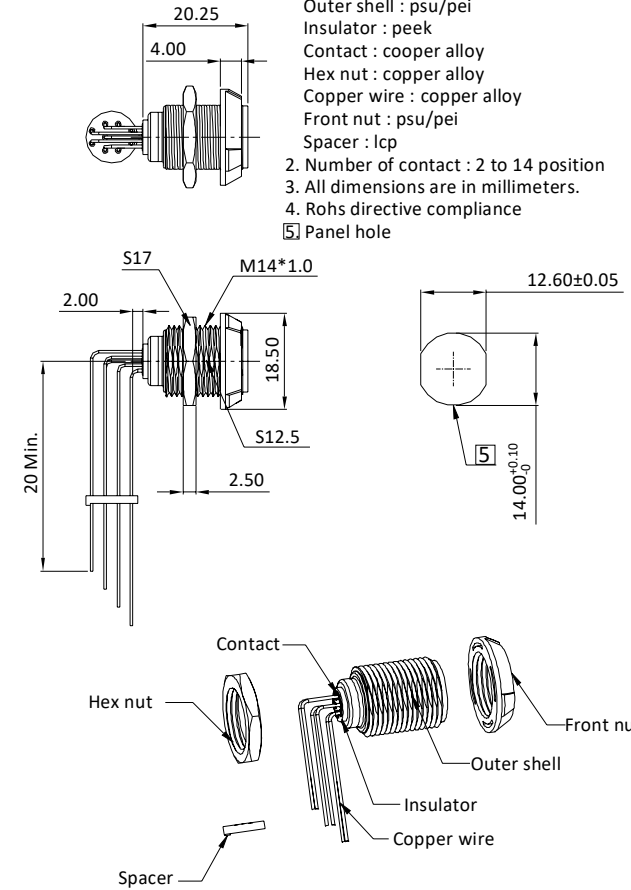
Snap latch assembly p/n description :

		R - M B 3 - X - X P X X - X X X - X
1 Bonded		
2 Medical		
3 Style	B3=PK(Receptacle with two nuts,with 90° contacts for printed circuit) (back panel mounting) -----Solder termination	
4 Outer shell Material	G=Grey psu B=Black psu M=White psu F=Black pei P=Grey pei	
5 Back nut material	0=Black 1=White 2=Red 4=Yellow 5=Green 6=Blue 8=Grey	
6 Insulator	P=Peek	
7 Contact diameter	1=1.3mm (only for 2;3 pin) 2=0.9mm (only for 4;5 pin) 3=0.7mm (only for 6;7;8 pin) 4=0.5mm (only for 9;10;12;14 pin)	
8 Contact plating	1=Gold plated 1u" 2=Gold plated 20u" 3=Gold plated 30u"	
9 Cable collet	0=No cable collet	
10 Coding	0= 0° A= 40° C= 60° E= 80° H= 170° S= 190° J= 205°	
11 Number of contacts	02=2 Pin 03=3 Pin 04=4 Pin 05=5 Pin 06=6 Pin 07=7 Pin 08=8 Pin 09=9 Pin 10=10 Pin 12=12 Pin 14=14 Pin	
12 Logo	0="nextron" logo and "GRASP HERE" logo G=NO LOGO,with "GRASP HERE" logo	

Positions	View from termination side
2 Pin	
3 Pin	
4 Pin	
5 Pin	
6 Pin	
7 Pin	
8 Pin	
9 Pin	
10 Pin	
12 Pin	
14 Pin	

Notes :

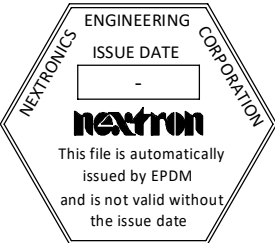
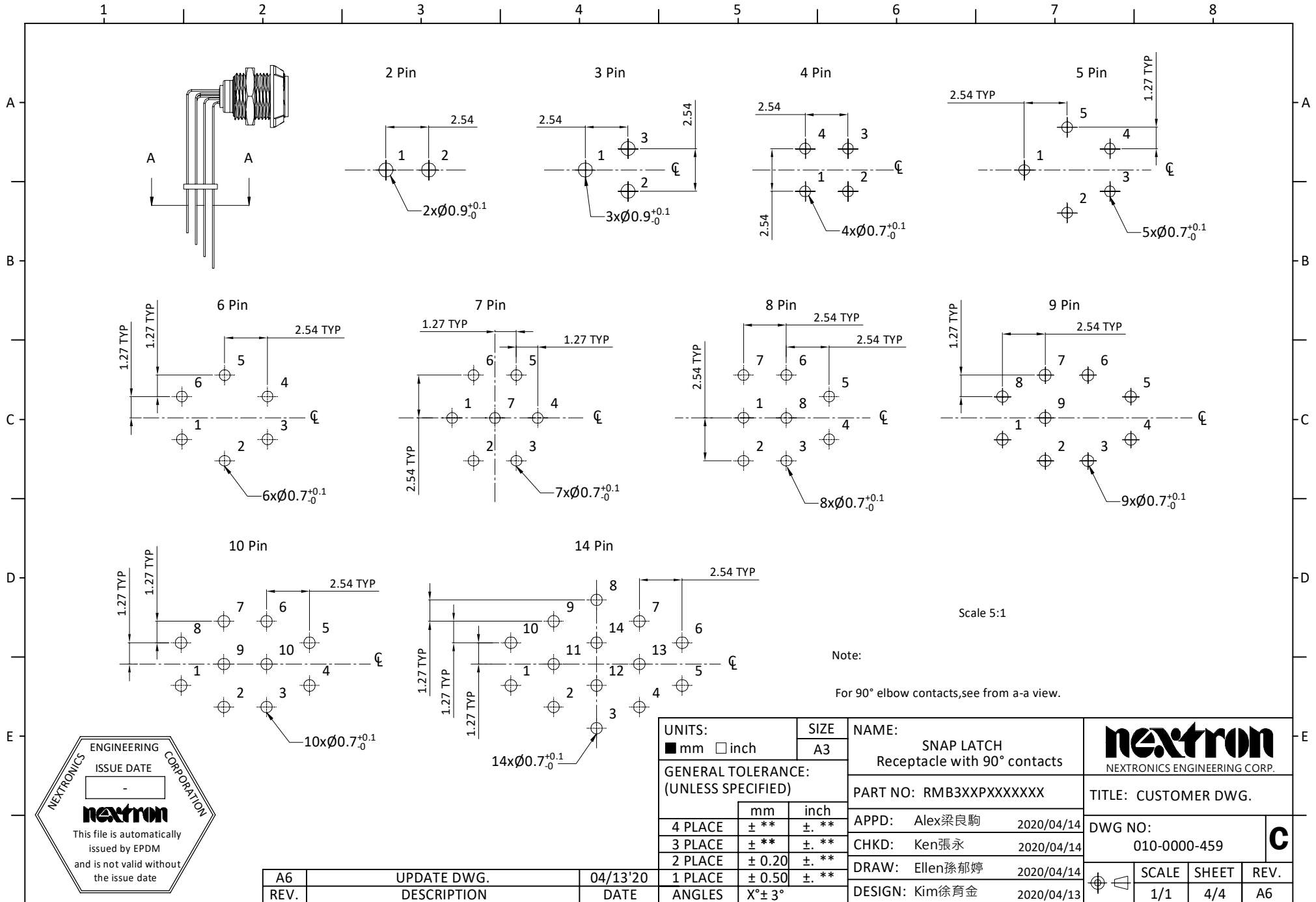
- Material
Outer shell : psu/pei
Insulator : peek
Contact : cooper alloy
Hex nut : copper alloy
Copper wire : copper alloy
Front nut : psu/pei
Spacer : lcp
- Number of contact : 2 to 14 position
- All dimensions are in millimeters.
- Rohs directive compliance




UNITS: ■ mm □ inch	SIZE A3	NAME: SNAP LATCH Receptacle with 90° contacts			
GENERAL TOLERANCE: (UNLESS SPECIFIED)		PART NO: RMB3XXPXXXXXXX	TITLE: CUSTOMER DWG.		
4 PLACE ± **	mm ± **	APPD: Alex梁良駒 2020/04/14	DWG NO: 010-0000-459		
3 PLACE ± **	inch ± **	CHKD: Ken張永 2020/04/14	C		
2 PLACE ± 0.20	± **	DRAW: Ellen孫郁婷 2020/04/14			
1 PLACE ± 0.50	± **	DESIGN: Kim徐育金 2020/04/13	SCALE 1/1	SHEET 3/4	REV. A6
ANGLES	X° ± 3°				

A6	UPDATE DWG.	04/13'20
REV.	DESCRIPTION	DATE

CONFIDENTIAL: THIS DOCUMENT CONTAINED THE INFORMATION IS PROPRIETARY AND CONFIDENTIAL TO Nextronics Engineering Corp. NO PERSON IS ALLOWED TO USE COPY, PUBLISH OR OTHERWISE DISCLOSE THE INFORMATION TO OTHERS, UNLESS BY THE PRIOR WRITTEN EXPRESS AUTHORIZATION OF Nextronics Engineering Corp. (C)COPYRIGHT- Nextronics Engineering Corp.



A6	UPDATE DWG.	04/13'20
REV.	DESCRIPTION	DATE

UNITS: ■ mm □ inch	SIZE A3	NAME: SNAP LATCH Receptacle with 90° contacts	 NEXTRONICS ENGINEERING CORP.		
GENERAL TOLERANCE: (UNLESS SPECIFIED)		PART NO: RMB3XXPXXXXXX	TITLE: CUSTOMER DWG.		
4 PLACE	± **	mm	± **	inch	APPD: Alex梁良駒 2020/04/14
3 PLACE	± **	mm	± **	inch	CHKD: Ken張永 2020/04/14
2 PLACE	± 0.20	mm	± **	inch	DRAW: Ellen孫郁婷 2020/04/14
1 PLACE	± 0.50	mm	± **	inch	DESIGN: Kim徐育金 2020/04/13
ANGLES	X° ± 3°				DWG NO: 010-0000-459
					SCALE SHEET REV.
					1/1 4/4 A6

CONFIDENTIAL: THIS DOCUMENT CONTAINED THE INFORMATION IS PROPRIETARY AND CONFIDENTIAL TO Nexttronics Engineering Corp.
 NO PERSON IS ALLOWED TO USE COPY, PUBLISH OR OTHERWISE DISCLOSE THE INFORMATION TO OTHERS, UNLESS BY THE PRIOR
 WRITTEN EXPRESS AUTHORIZATION OF Nexttronics Engineering Corp. (C)COPYRIGHT- Nexttronics Engineering Corp.