

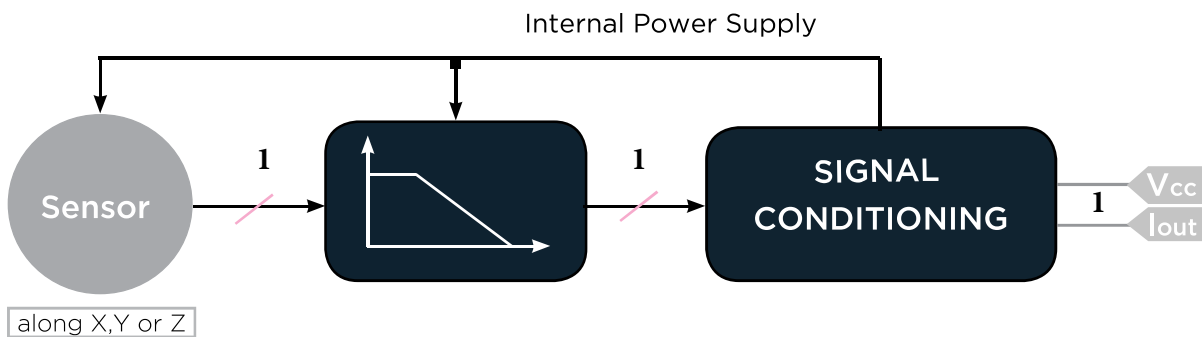
HIGH RESOLUTION INDUSTRIAL ACCELEROMETER (4-20 mA)



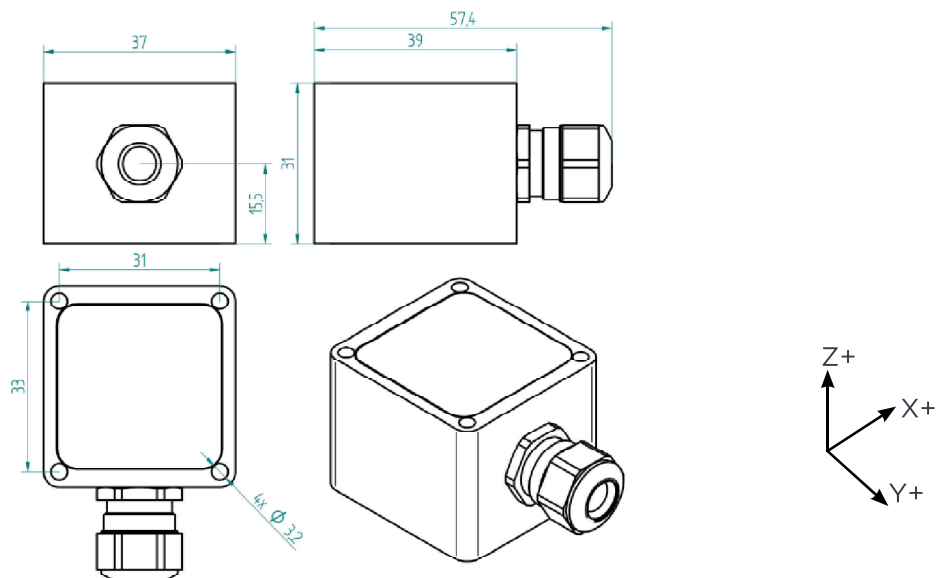
PROPERTIES

- 1 axis, low noise, high resolution
- Suited for direct connection to standard control and measurement equipment, e.g. PLCs or panel meters
- Embedded 4..20mA signal conditioning
- Galvanically Isolated
- Protected against false polarization
- Compact and rugged design
- Protection grade IP67

BLOCK DIAGRAM



DIMENSIONS



SPECIFICATIONS - ALL MODELS

OUTPUT / CHANNEL	Output Range	4..20mA	
	Supply voltage	10...30 VDC	
	Lower frequency limit	0 Hz (DC)	
	Non-linearity	± 0.5 % F.S.	
	Sensitivity error	0.5 % typ. - 1 % max.	
	Transverse Sensitivity	2 % typ. - 3 % max.	
	Offset	0.2 % F.S. typ. - 0.5 % F.S. max.	
	Destruction limit	± 5000g	
ENVIRONMENTAL CHARACTERISTICS		<i>Operating</i>	<i>Non-Operating</i>
	Operating temperature range	- 40...80 °C ⁽¹⁾	- 55...125 °C
	Temperature coefficient of sensitivity	± 0.03 %/°C	
	Temperature drift of zero point	± 0.02 % F.S./°C	
	Protection grade	IP67	
MECHANICAL DATA	Weight Without Cable	100gr (188g ⁽²⁾)	
	Case Material	Aluminum (MIL-A-8625 Type II coating) ⁽²⁾	
	Mounting	3.2 mm diameter holes (4x)	

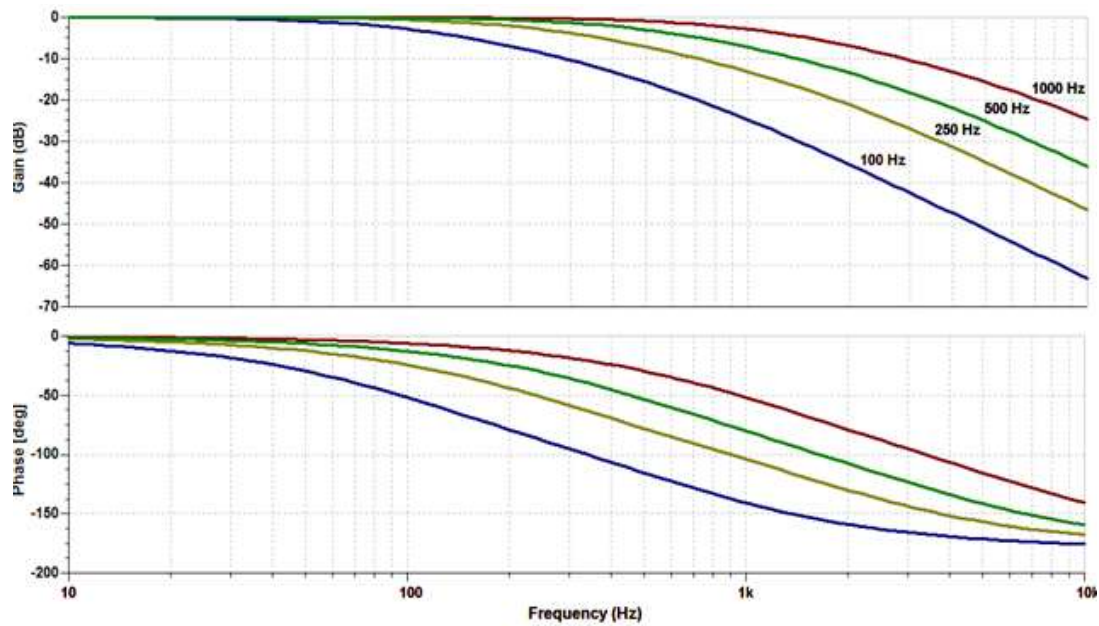
⁽¹⁾ Maximum temperature due to accelerometer cable - operating temperature up to ±125°C possible with special cable upon request

⁽²⁾ Stainless Steel Casing and Cable Gland A4 (AISI316) Grade Upon Request (e.g. for offshore/marine environment)

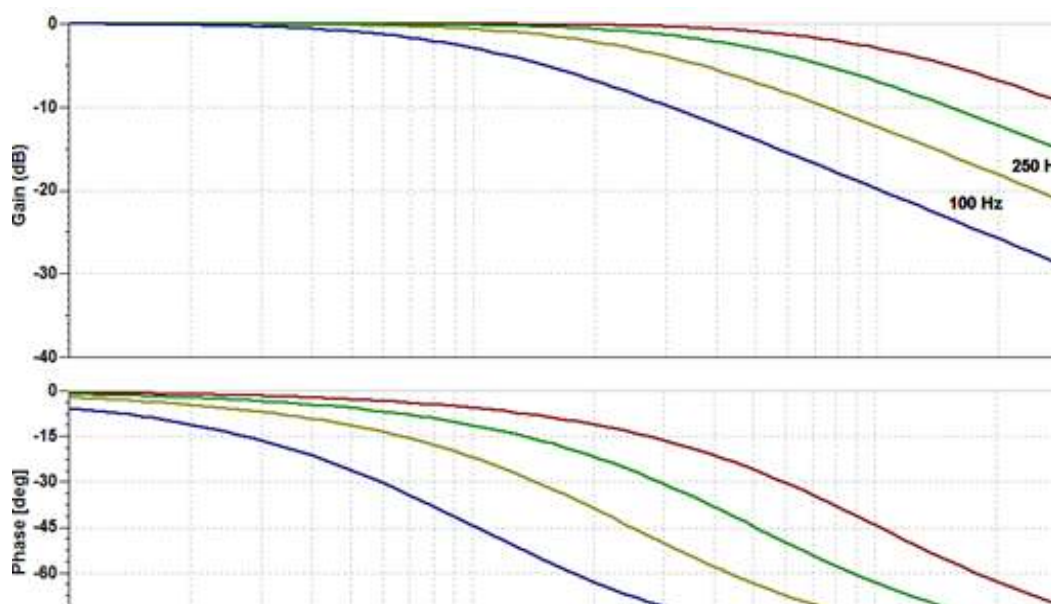
PERFORMANCES - BY MODEL

Range	Sensitivity	Frequency Response (-3dB)	Noise
g	µA/g	Hz	µg/√Hz
±2	4000	0 - 400	8
±5	1600	0 - 600	10
±10	800	0 - 1000	13
±25	320	0 - 1500	28
±50	160	0 - 2000	53
±100	80	0 - 2500	100
±200	40	0 - 3000	200
±400	20	0 - 4000	400

POSSIBLE FILTER AMPLITUDE RESPONSES

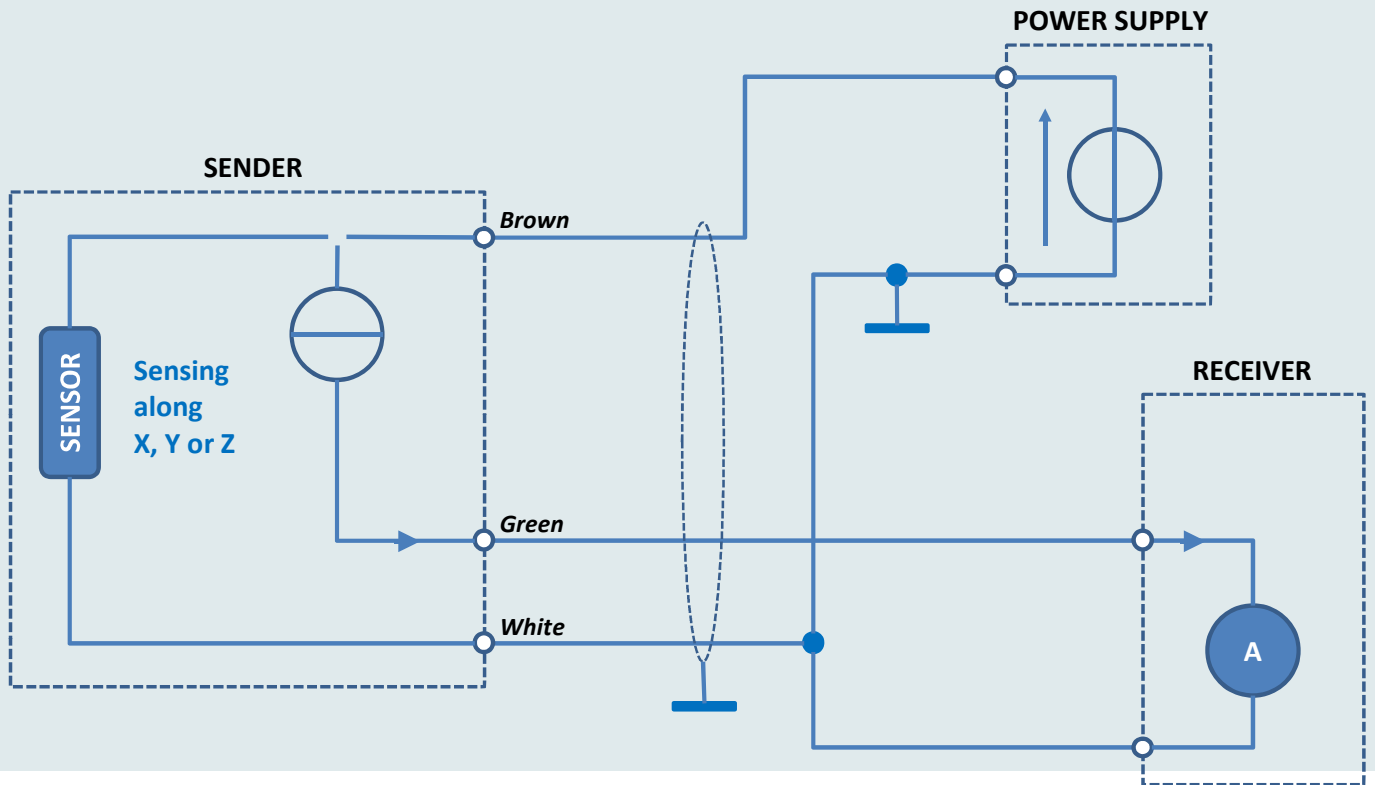


2nd order filters



1st order filters

ELECTRICAL CONNECTIONS



ORDERING INFORMATION

IAC	-	HiRes	-	I	-	01	-	A	-	X g	-	XXXX Hz	-	X	-	XX.X m	
								Sensing Axes		Range		Low Pass Filter Frequency		Filter Order		Cable Length	
								X		2 ± 2g		0100 100Hz		1 1 st order			
								Y		5 ± 5g		0250 250Hz		2 2 nd order			
								Z		10 ± 10g		0500 500Hz					
										25 ± 25g		1000 1000Hz					
										50 ± 50g							
										100 ± 100g							
										200 ± 200g							
										400 ± 400g							