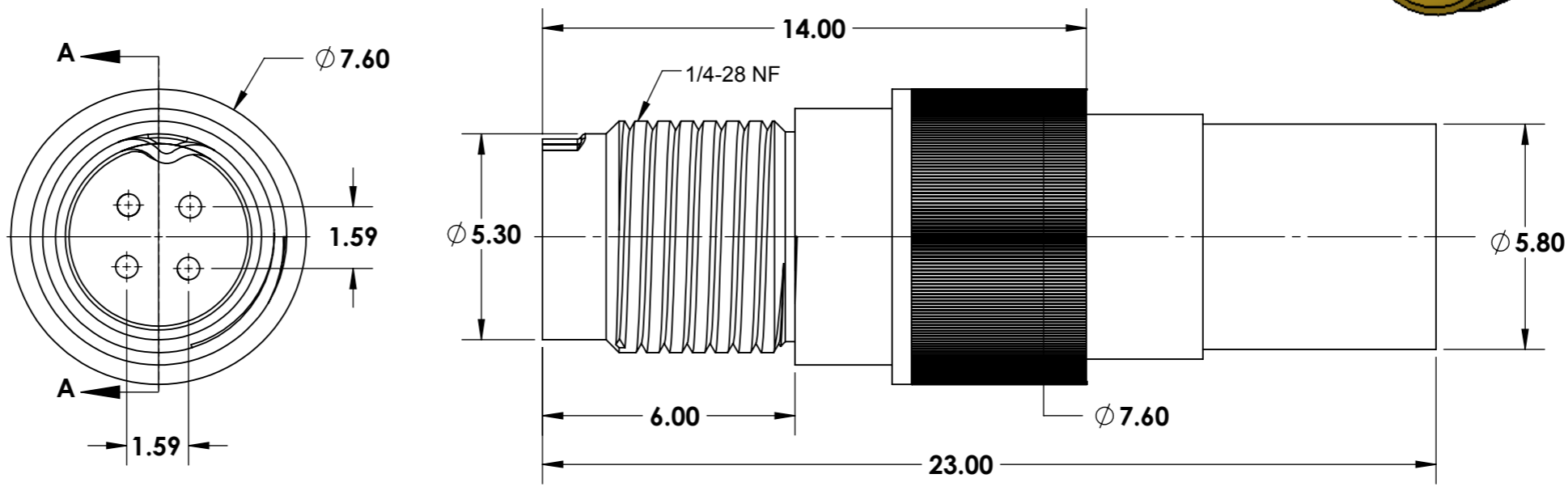
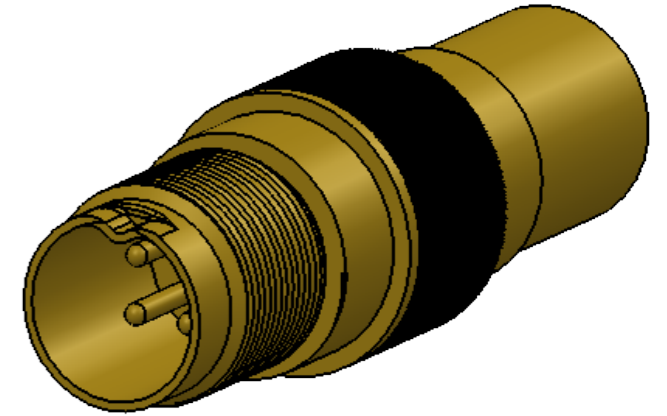


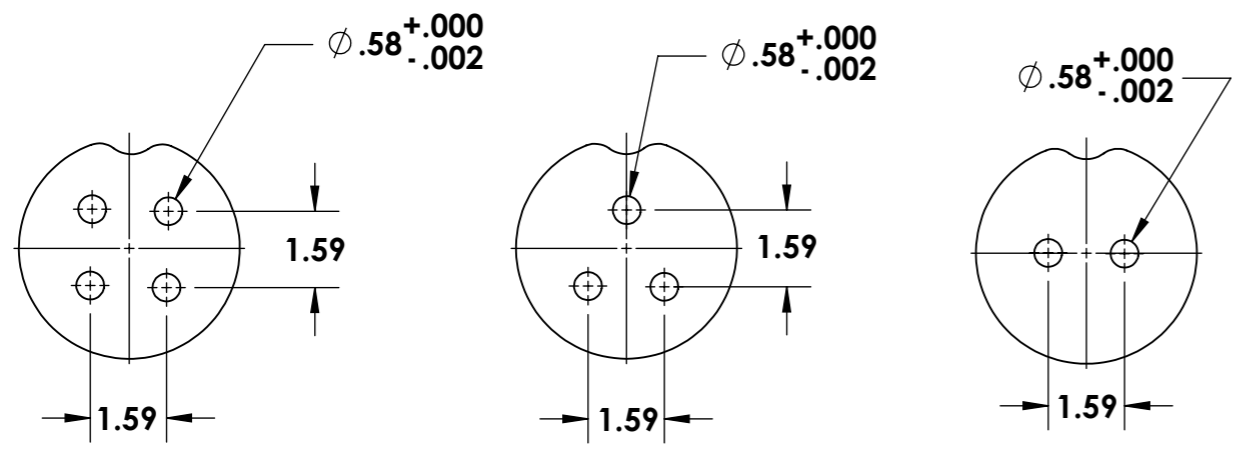
NOTES:

- 1. MATERIALS: "G" STYLE
 - 1.1 SHELL, FERRULE
BRASS PER QQ-B-626
FINISH: GOLD, OVER
ELECTROLESS NICKEL
PER MIL-G-45204, TYP 2, CLASS 1
 - 1.2 INSERT
PEEK, GLASS FILLED PER
MIL-P-46183
 - 1.3 CONTACTS
COPPER ALLOY
FINISH: GOLD PER MIL-G-45204
 - 1.4 GASKETS (OPTIONAL)
SILICONE RUBBER PER AMS 3304
 - 1.5 ALTERNATE SHELL MATERIALS
AND FINISHES:
"M" STYLE: BRASS, WITH
ELECTROLESS NICKEL FINISH
PER AMS-C-26074, CLASS 4, GRADE B
"A" STYLE: BRASS, WITH GOLD PLATE,
BLACK CHROMATE
"K" STYLE: STAINLESS STEEL,
300 SERIES, WITH PASSIVATION

REVISION HISTORY		
REVISION	DATE	COMMENT



Layout



4 POSITION

3 POSITION

2 POSITION

THIS DOCUMENT IS SOLE PROPERTY OF MILSPECWEST AND IS ISSUED IN STRICT CONFIDENCE THAT IT WILL NOT BE REPRODUCED IN ANY WAY OR USED TO SOLICIT BUSINESS OF A COMPETITIVE NATURE. DISTRIBUTION OF THIS DOCUMENT IS PROHIBITED UNLESS WRITTEN CONSENT IS OBTAINED FROM MILSPECWEST. THIS DOCUMENT IS SUITABLE FOR ENGINEERING EVALUATION AND MAY BE USED IN TECHNICAL SPECIFICATIONS.

UNLESS OTHERWISE NOTED: DIMENSIONS ARE IN MILLIMETERS DO NOT SCALE THIS DRAWING .X DECIMALS ARE ±0.5 .XX DECIMALS ARE ±0.25 .XXX DECIMALS ARE ±0.13 ANGLES ARE ±0.5°	DRAWING	SC	MILSPECWEST- MICRO PRODUCTS	
	CHECKED	TS	DESCRIPTION: MICRO IN-LINE RECEPTACLE	
	Q.A.	KB	DWG. NO. MSW-R	REVISION: 0 SHEET 1 OF 2

NOTES:

- 1. MATERIALS: "G" STYLE
 - 1.1 SHELL, FERRULE
BRASS PER QQ-B-626
FINISH: GOLD, OVER
ELECTROLESS NICKEL
PER MIL-G-45204, TYP 2, CLASS 1
 - 1.2 INSERT
PEEK, GLASS FILLED PER
MIL-P-46183
 - 1.3 CONTACTS
COPPER ALLOY
FINISH: GOLD PER MIL-G-45204
 - 1.4 GASKETS
SILICONE RUBBER PER AMS 3304
 - 1.5 ALTERNATE SHELL MATERIALS
AND FINISHES:
"M" STYLE: BRASS, WITH
ELECTROLESS NICKEL FINISH
PER AMS-C-26074, CLASS 4, GRADE B
"A" STYLE: BRASS, WITH GOLD PLATE,
BLACK CHROMATE
"K" STYLE: STAINLESS STEEL,
300 SERIES, WITH PASSIVATION

PART NUMBER BREAKDOWN

MSW R - B - 04 S

P = PIN
S = SOCKET

NUMBER OF CONTACTS
02
03
04

SHELL SIZE (SEE TABLE 2)
BODY STYLE

- B = PLUG
- R = IN LINE RECEPTACLE
- C = STRAIGHT PCB MOUNT
- D = FRONT PANEL JAM NUT MOUNT
- E = FRONT PANEL SOLDER MOUNT
- F = RIGHT ANGLE PCB MOUNT

FINISH AND MATERIAL
G = BRASS WITH GOLD OVER ELEC NICKEL
M = BRASS WITH ELECTROLESS NICKEL
A = BRASS WITH BLACK ANODIZE
K = STAINLESS STEEL WITH PASSIVATION

BASIC PART NUMBER

THIS DOCUMENT IS SOLE PROPERTY OF MILSPECWEST AND IS ISSUED IN STRICT CONFIDENCE THAT IT WILL NOT BE REPRODUCED IN ANY WAY OR USED TO SOLICIT BUSINESS OF A COMPETITIVE NATURE. DISTRIBUTION OF THIS DOCUMENT IS PROHIBITED UNLESS WRITTEN CONSENT IS OBTAINED FROM MILSPECWEST. THIS DOCUMENT IS SUITABLE FOR ENGINEERING EVALUATION AND MAY BE USED IN TECHNICAL SPECIFICATIONS.

REVISION HISTORY

REVISION	DATE	COMMENT
0	02/17/2017	

SPECIFICATIONS:

ELECTRICAL:

ELECTRICAL RESISTANCE: 10,000 M OHMS PER MIL-C-22557
 RATED WORKING VOLTAGE: 400V @ SEA LEVEL
 DIELECTRICWITHSTANDING: 1,000 V @ SEA LEVEL PER MIL-C-22557
 CONTACT VOLTAGE DROP: 4 mV @ 1 AMP PER MIL-C-22557
 CONTACT RESISTANCE: 4 MOHM @ 1 AMP PER MIL-C-22557
 CONTACT CURRENT RATING: 3 AMP

ENVIRONMENTAL:

VIBRATION: MIL STD 202A METHOD 204 TEST COND B(15G's)
NO DISCONTINUITY IN EXCESS OF 1 MICROSECOND
 SHOCK: MIL STD 202 METHOD 202, 300 G's NO EVIDENCE OF DAMAGE
 TEMPERATURE CYCLING: MIL STD 202 METHOD 102, CONDITION C
 CORROSION (SALT SPRAY): MIL STD 202 METHOD 10,COND B 5% SALT SOLUTION
 MOISTURE RESISTANCE: MIL STD 202C METHOD 106B, OMITTING STEO 7B
AND HIGH HUMIDITY TESTS

MECHANICAL:

CONTACTS: CONTACTS ARE CONTRAINED IN BOTH DIRECTIONS
 ENGAGING FORCE: 0.8NPER CONTACT
 COUPLING RETENTION TORQUE: 60 Nmm
 CONTACT DURABILITY: 5000 CYCLES WITHH CONTACT RESISTANCE
WITHIN MIN MIL-C-22557
 CABLE RETENTION: SEPARATION FORCE EQUAL TO BREAKING STRENGTH
OF SHIELD OF THE CABLE PER MIL-C-22557

UNLESS OTHERWISE NOTED: DIMENSIONS ARE IN MILLIMETERS DO NOT SCALE THIS DRAWING .X DECIMALS ARE ±0.5 .XX DECIMALS ARE ±0.25 .XXX DECIMALS ARE ±0.13 ANGLES ARE ±0.5°	DRAWING	SC	MILSPECWEST - MICRO PRODUCTS CAGE CODE: 3HD49	
	CHECKED	TS	DESCRIPTION: MSW IN-LINE RECEPTACLEE	
	Q.A.	KB	DWG. NO. MSW-*-R-***	REVISION: 0 SHEET 1 OF 2