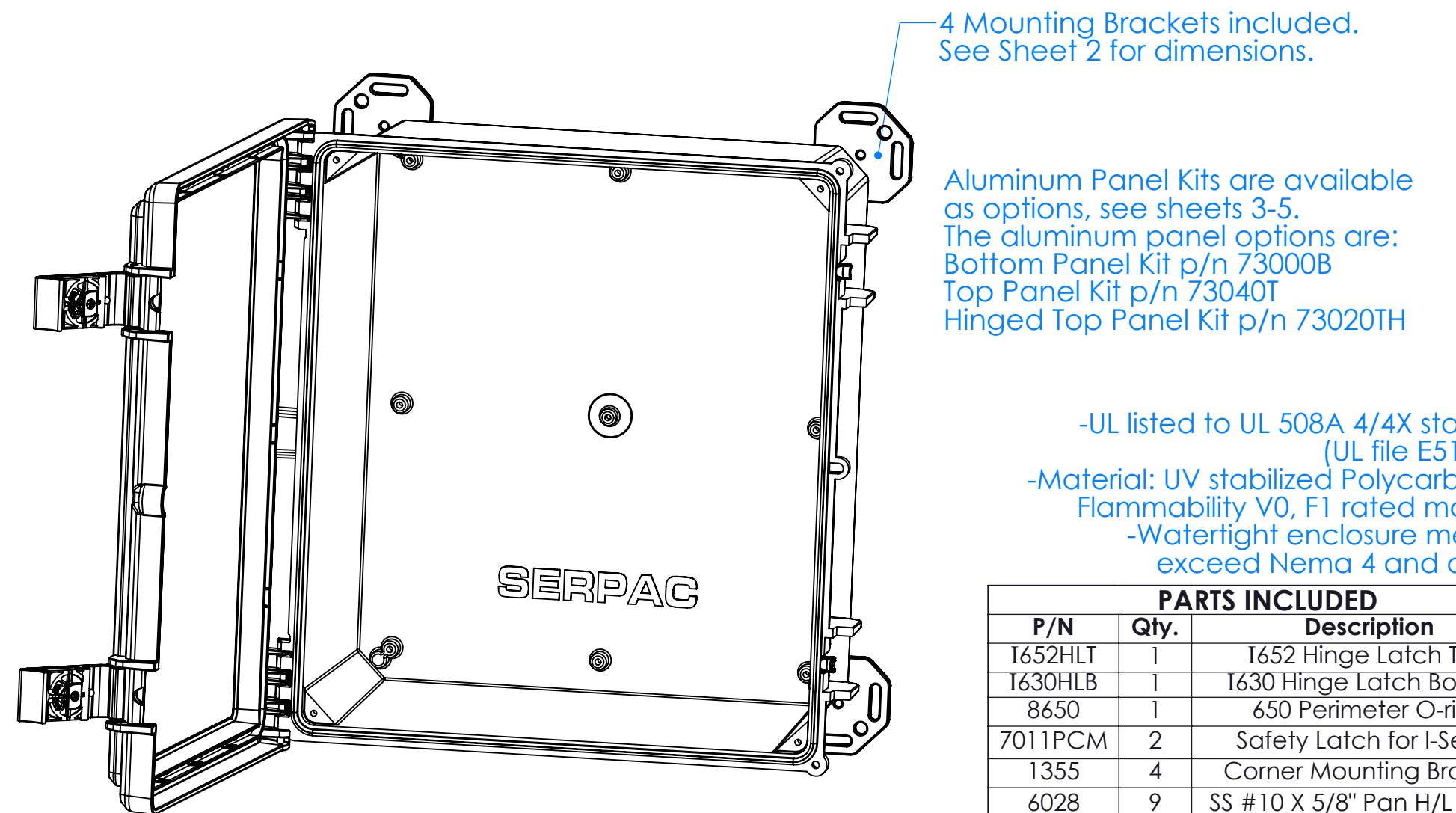
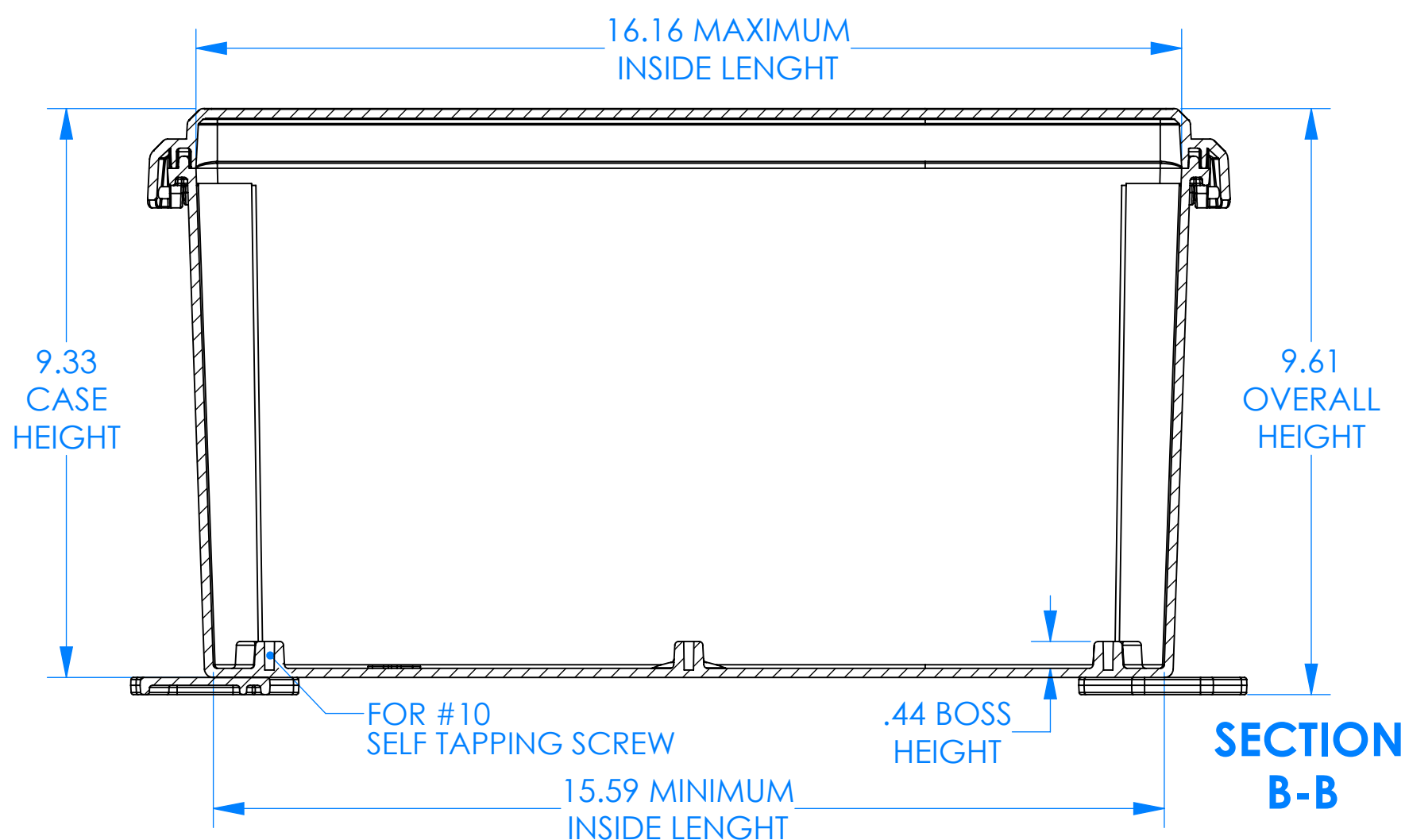
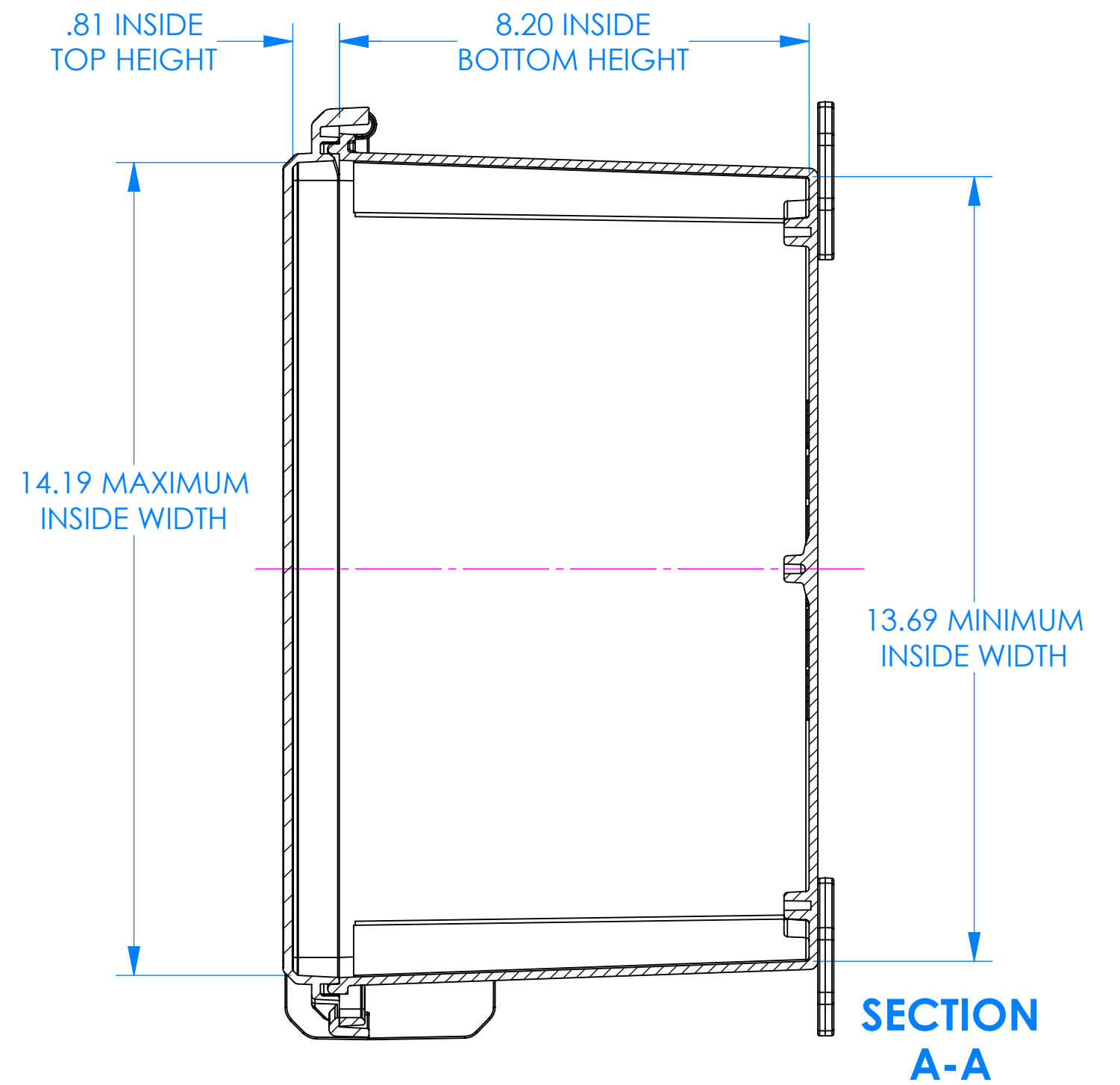
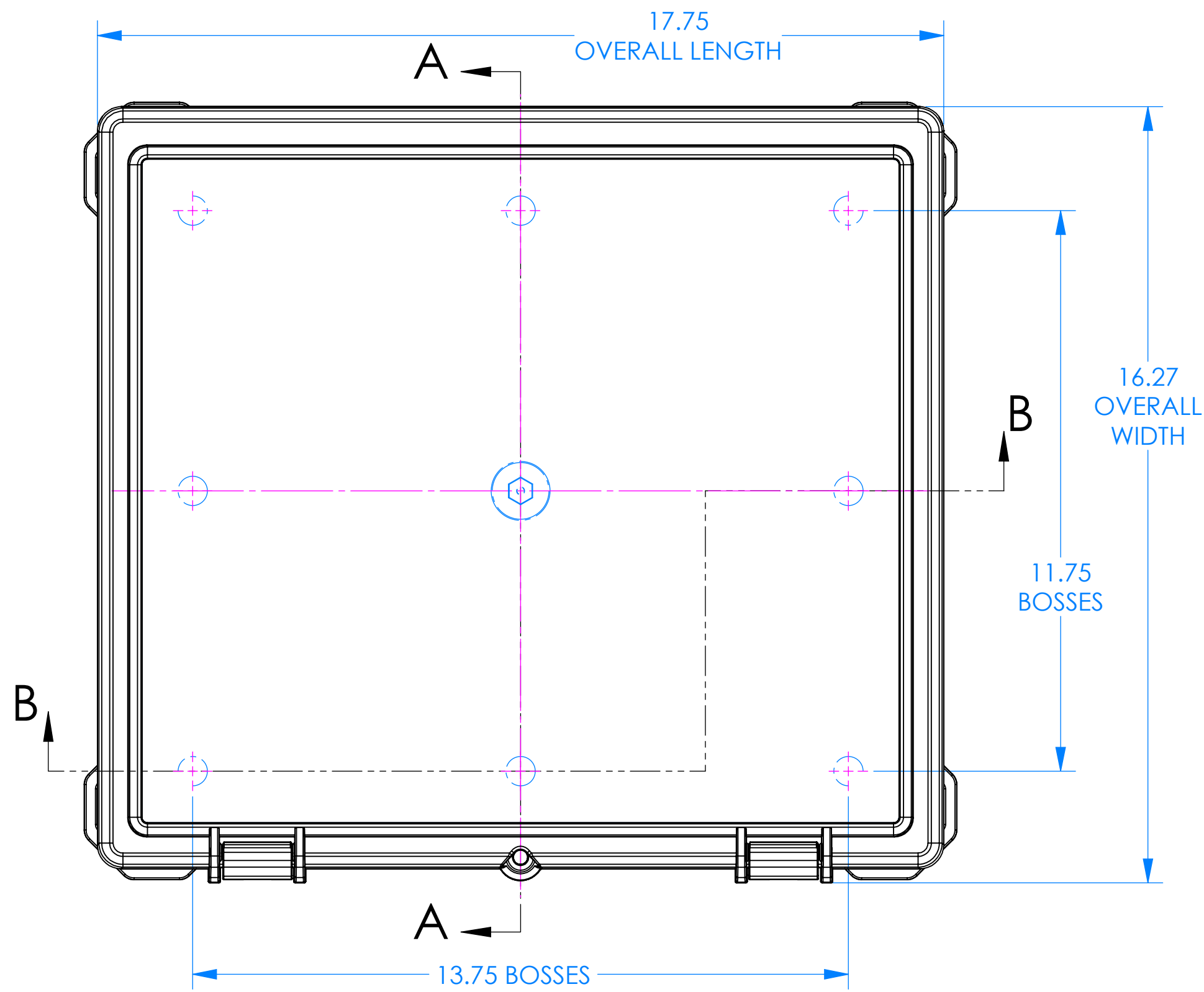


# SERPAC I632HL

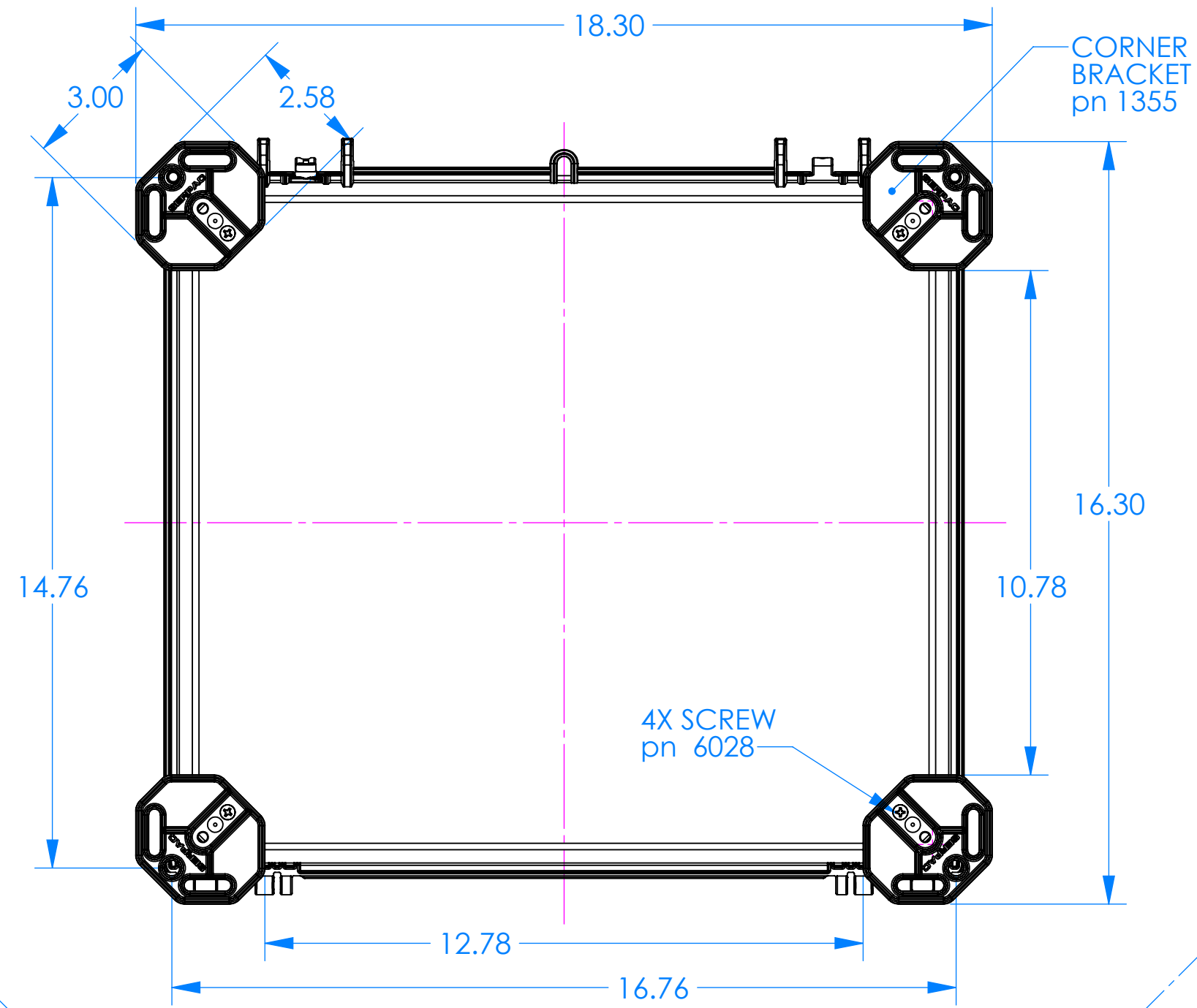
Electronic Enclosures



PARTS INCLUDED		
P/N	Qty.	Description
I652HLT	1	I652 Hinge Latch Top
I630HLB	1	I630 Hinge Latch Bottom
8650	1	650 Perimeter O-ring
7011PCM	2	Safety Latch for I-Series
1355	4	Corner Mounting Bracket
6028	9	SS #10 X 5/8" Pan H/L Screw

# SERPAC I632HL Mounting Bracket Dimensions

Electronic Enclosures



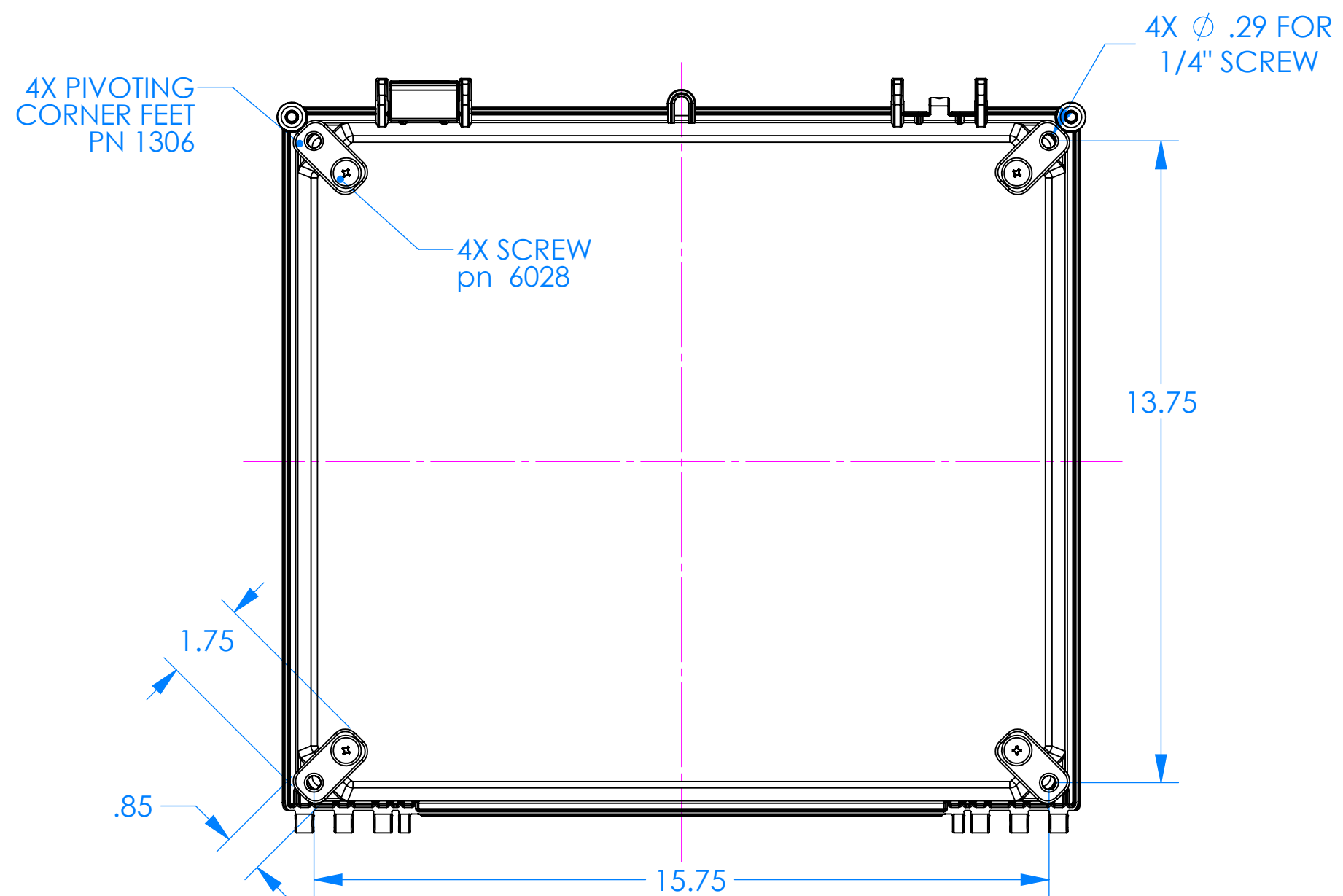
## INCLUDED STANDARD 1355 FLANGE KIT

Parts Included in kit number 1355		
P/N	Qty.	Description
1355	4	Mounting Corner Bracket
6028	4	SS #10 X 5/8" Pan Combo H/L Screw

TOP & LATCHES REMOVED FOR CLARITY FROM ALL VIEWS

## OPTIONAL 1306 CORNER FEET KIT

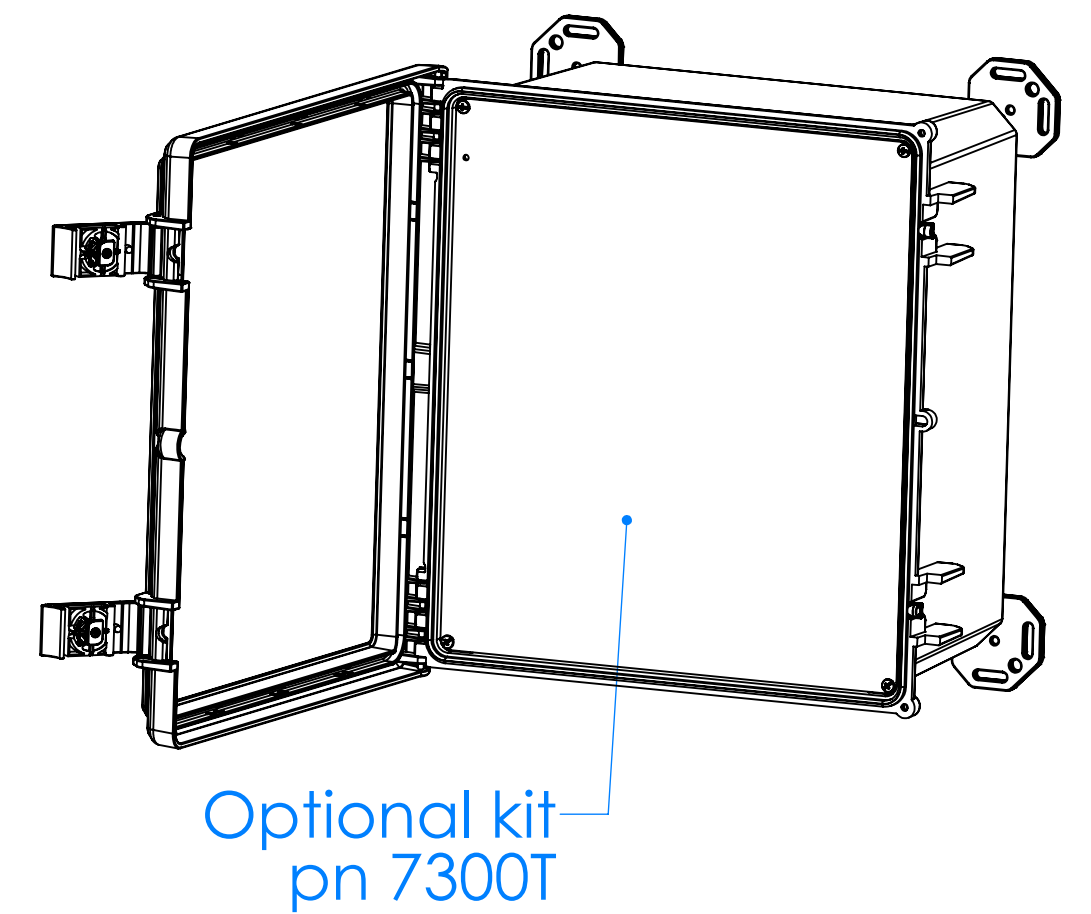
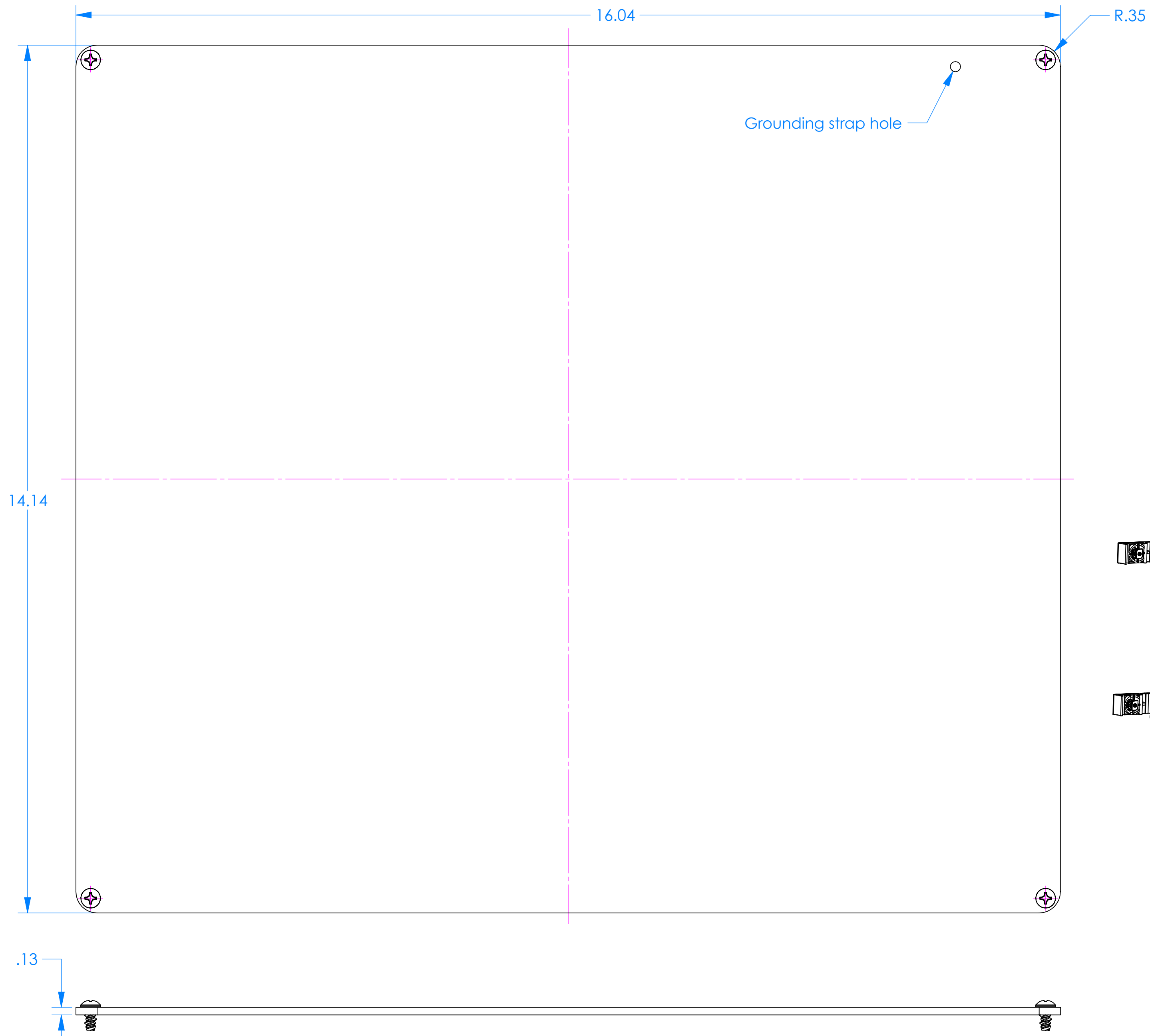
Parts Included in kit number 1306		
P/N	Qty.	Description
1306	4	Mounting Corner Feet
6028	4	SS #10 X 5/8" Pan Combo H/L Screw



4/14/2021

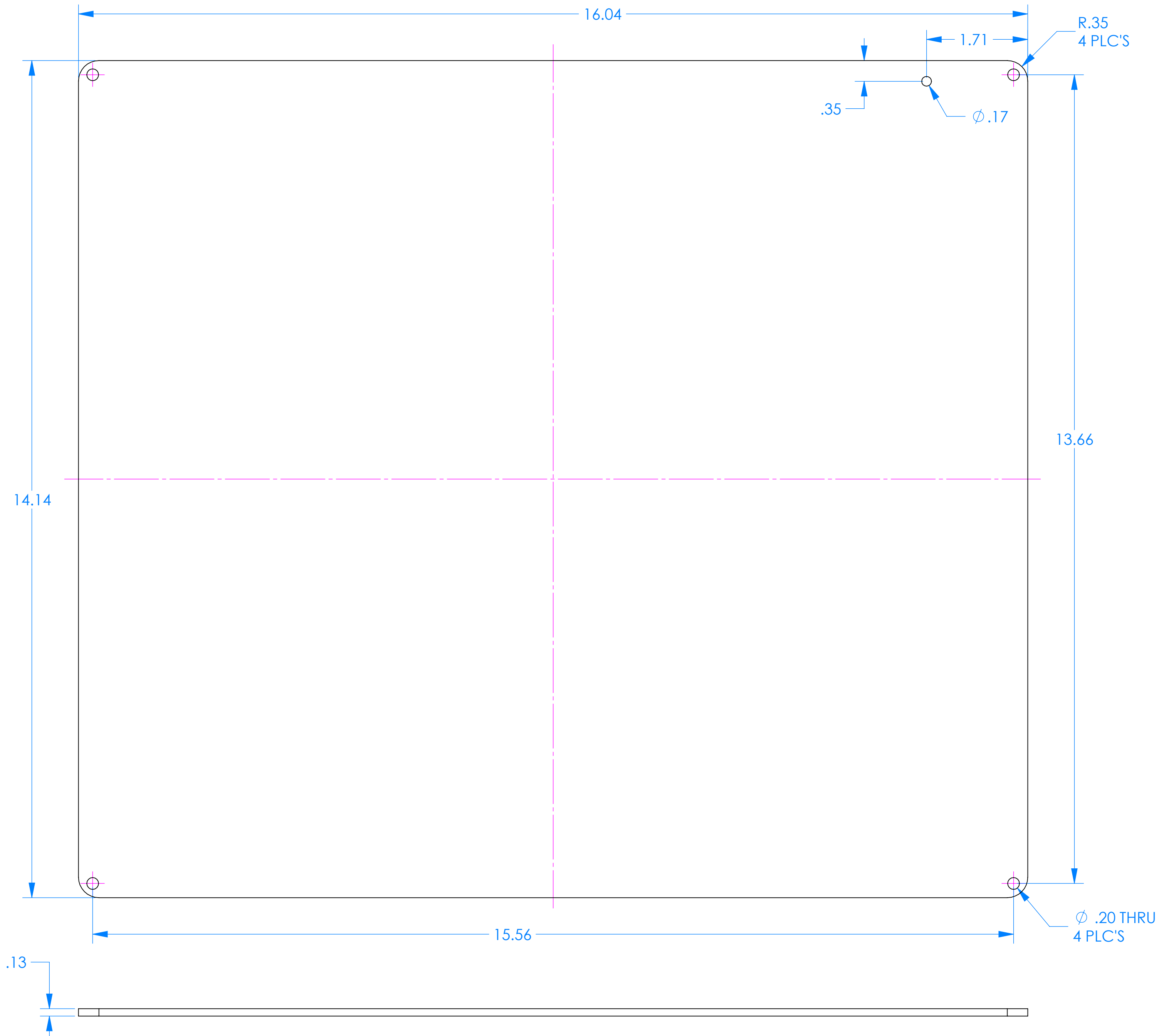
2009 Wright Ave. La Verne, CA 91750  
Ph. (626) 331-0517 Fx. (626) 331-8584 serpac.com

# 7300T Aluminum Top Panel Kit for I602HL, I622HL, I632 and I652

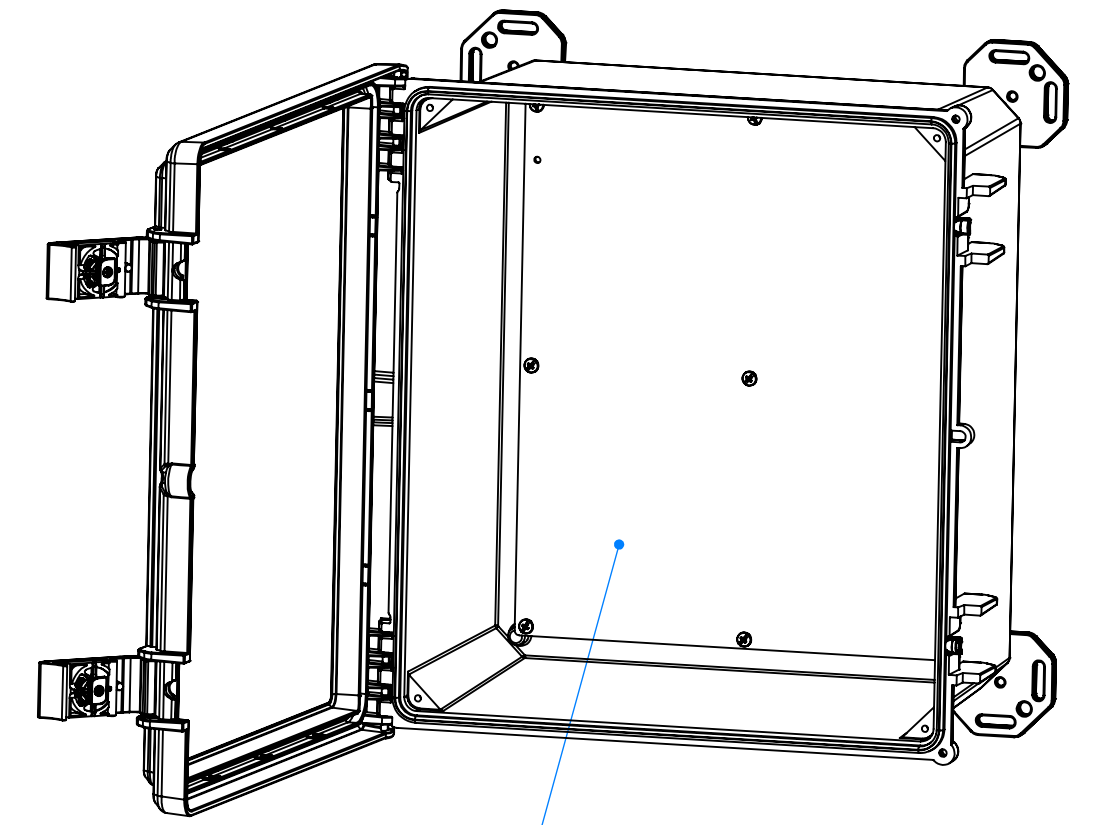
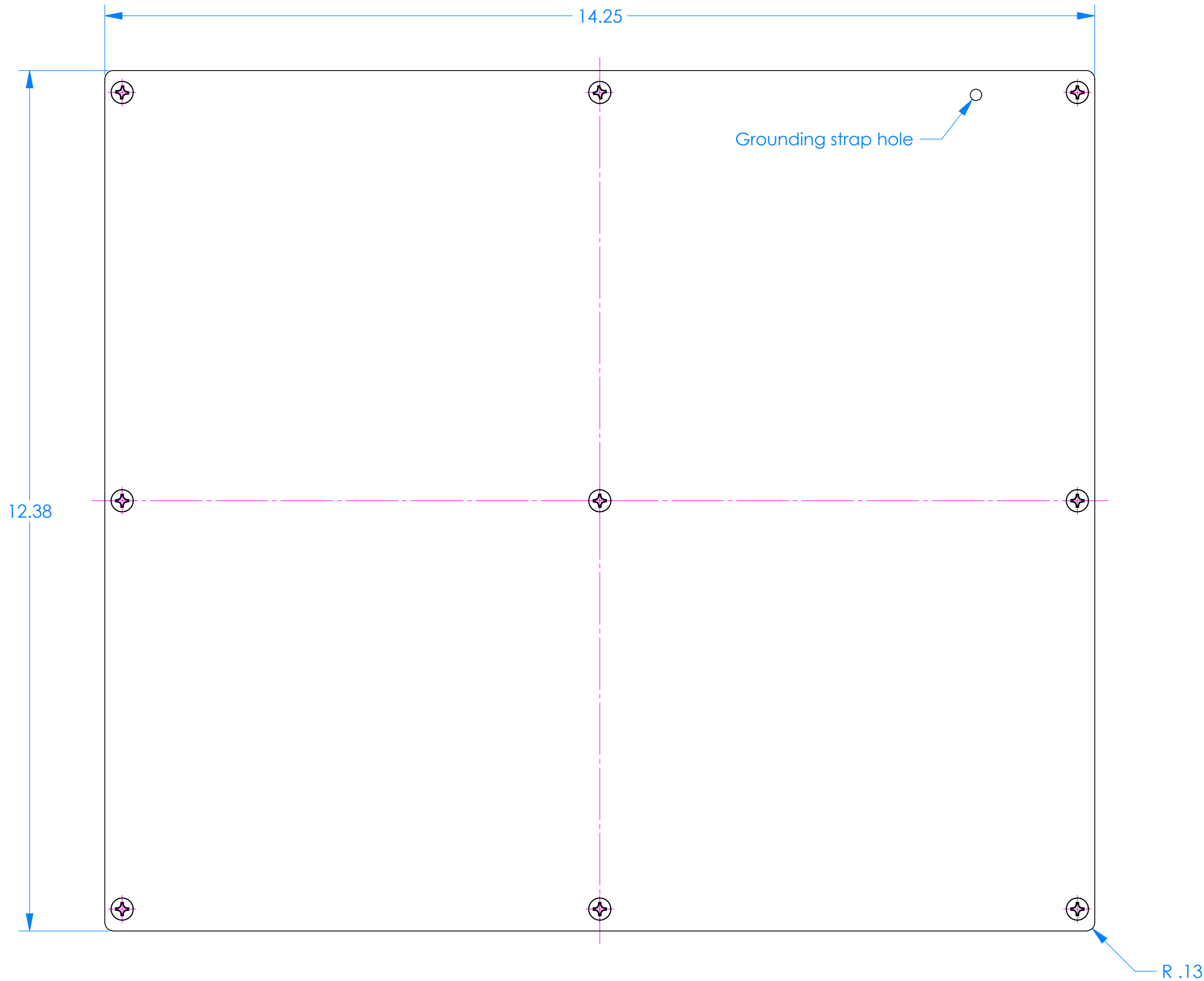


Parts Included in kit number 7300T		
P/N	Qty.	Description
73040	1	Aluminum Top Panel
6029	4	SS #10 X 3/8" Pan HL Screw

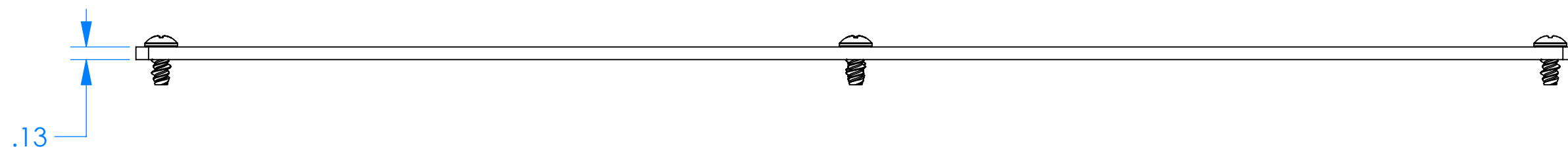
# 73040 Aluminum Top Panel for I602HL, I622HL, I632 and I652



# 7300B Aluminum Bottom Panel Kit for I602HL, I622HL, I632 and I652

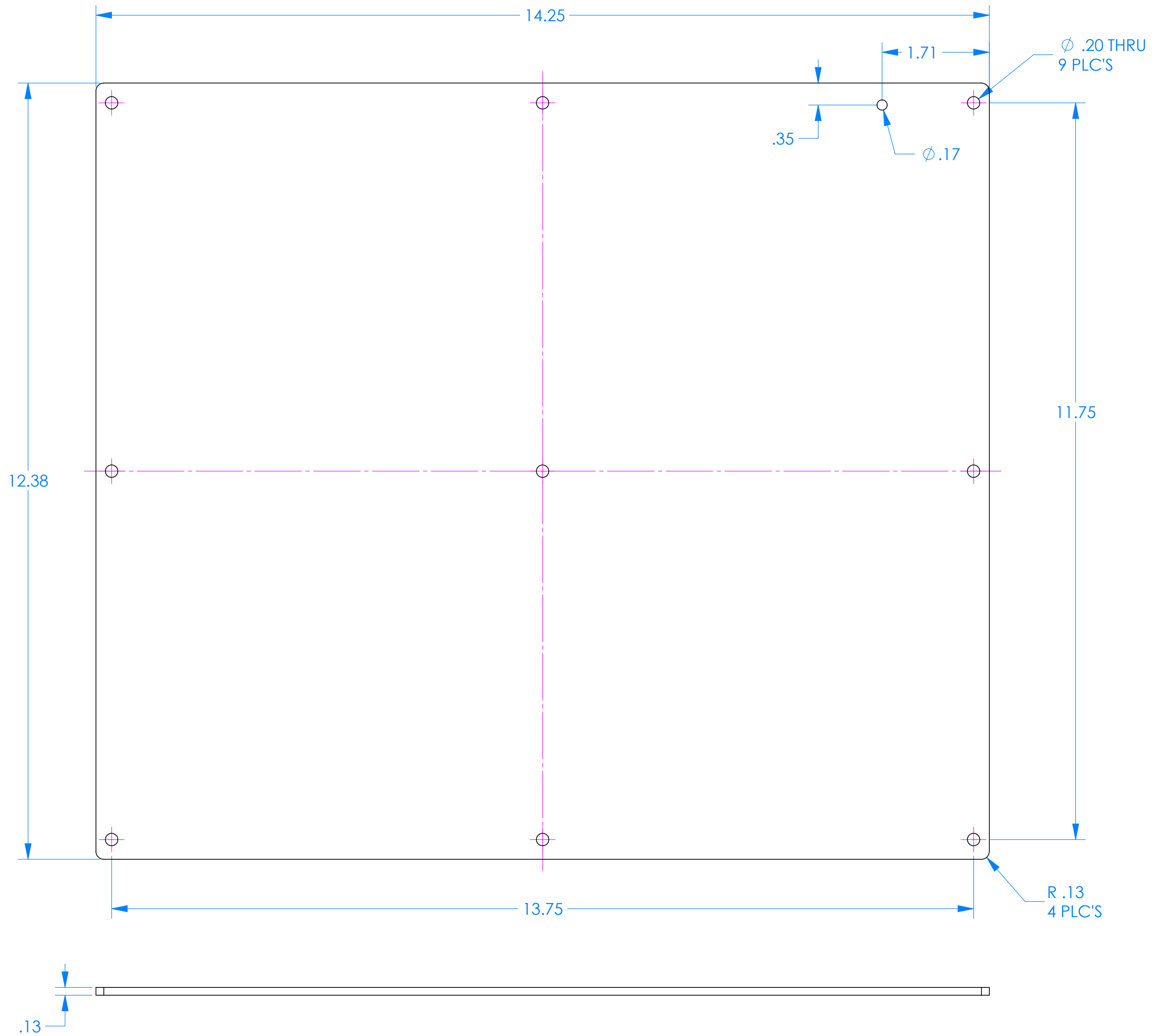


Optional kit  
pn 7300B

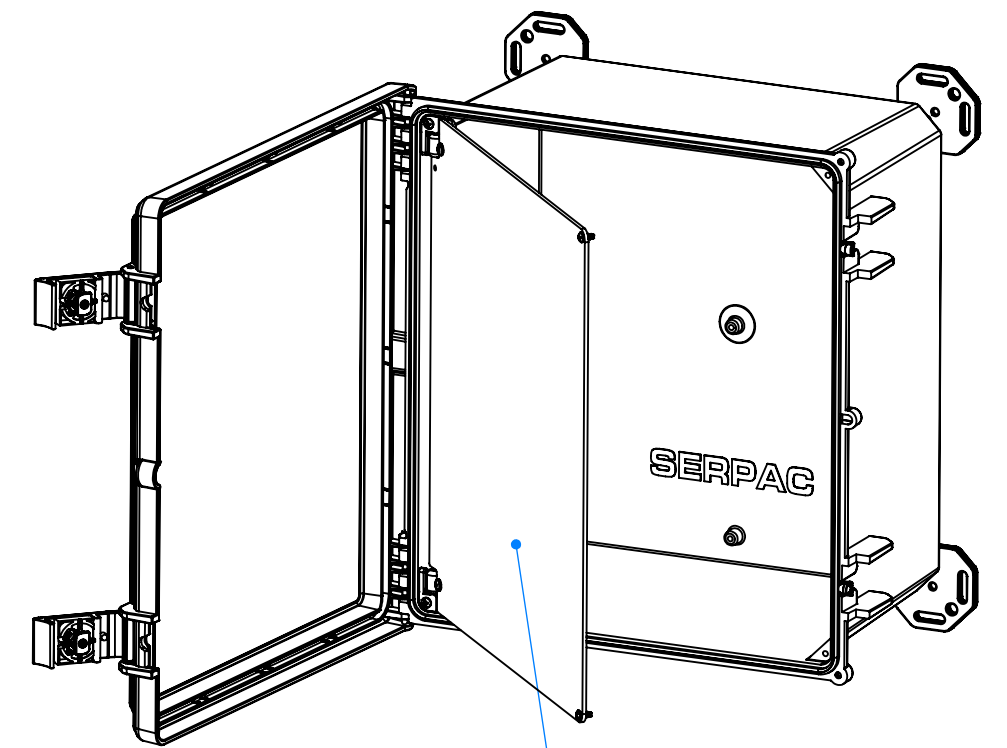
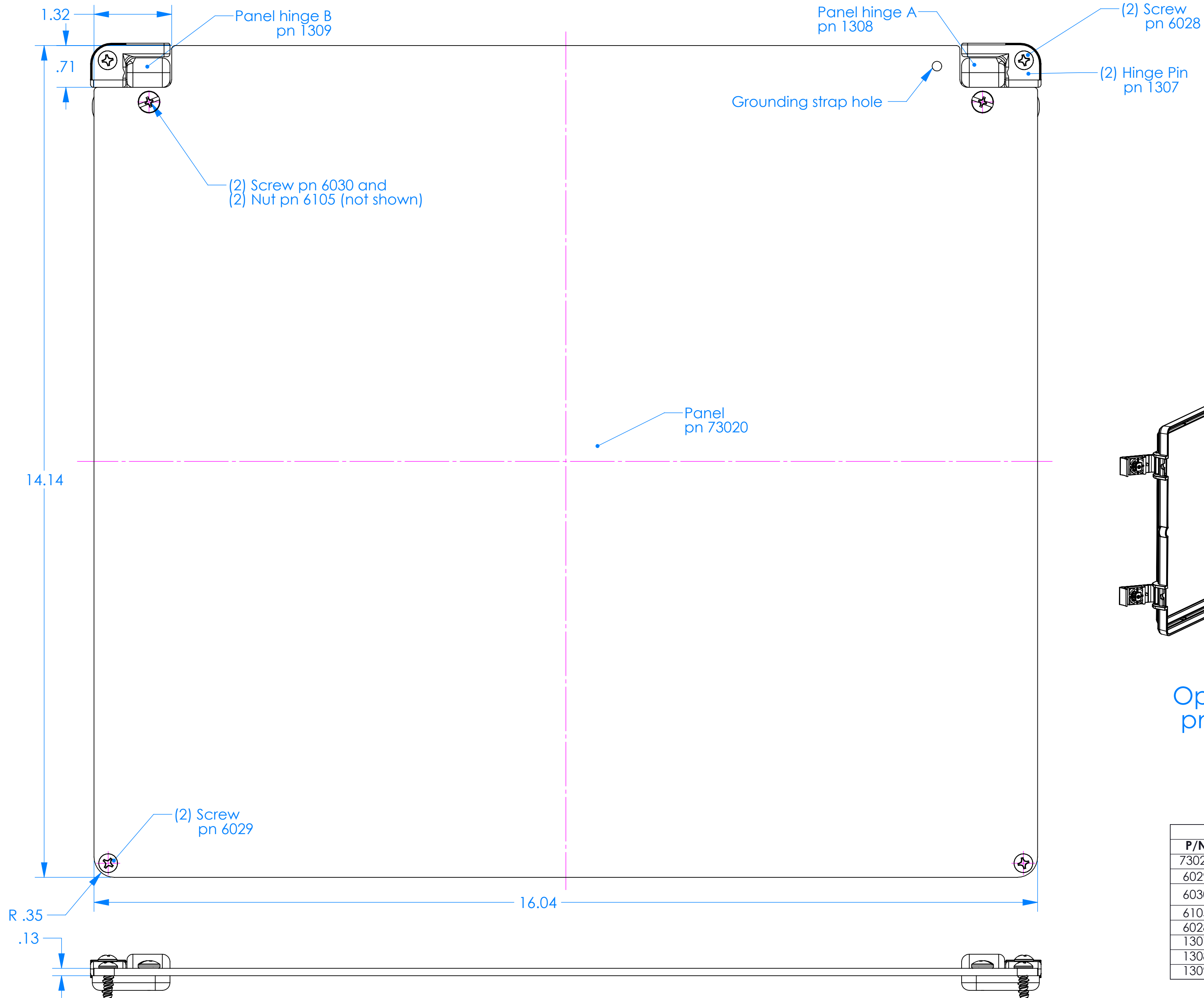


Parts Included in kit number 7300B		
P/N	Qty.	Description
73000	1	Aluminum Bottom Panel
6029	9	SS #10 X 3/8" Pan HL Screw

# 73000 Aluminum Bottom Panel for I602HL, I622HL, I632 and I652



# SERPAC **7300TH Aluminum Hinged Top Panel Kit for I602HL, I622HL, I632 and I652**



Optional kit  
pn 7300TH

Parts Included in kit number 7300TH		
P/N	Qty.	Description
73020	1	Aluminum Hinged Top Panel
6029	2	SS #10 X 3/8" Pan HL Screw
6030	2	SS #10 X 3/8" Pan Combo H/L Screw
6105	2	SS #10-32 X 1/8" Nut
6028	2	SS #10 X 5/8" PH HD H/L Screw
1307	2	Hinge Pin for Hinge Panel
1308	1	Hinge A for Hinge Panel
1309	1	Hinge B for Hinge Panel

# 73020 Aluminum Hinged Panel for I602HL, I622HL, I632 and I652

