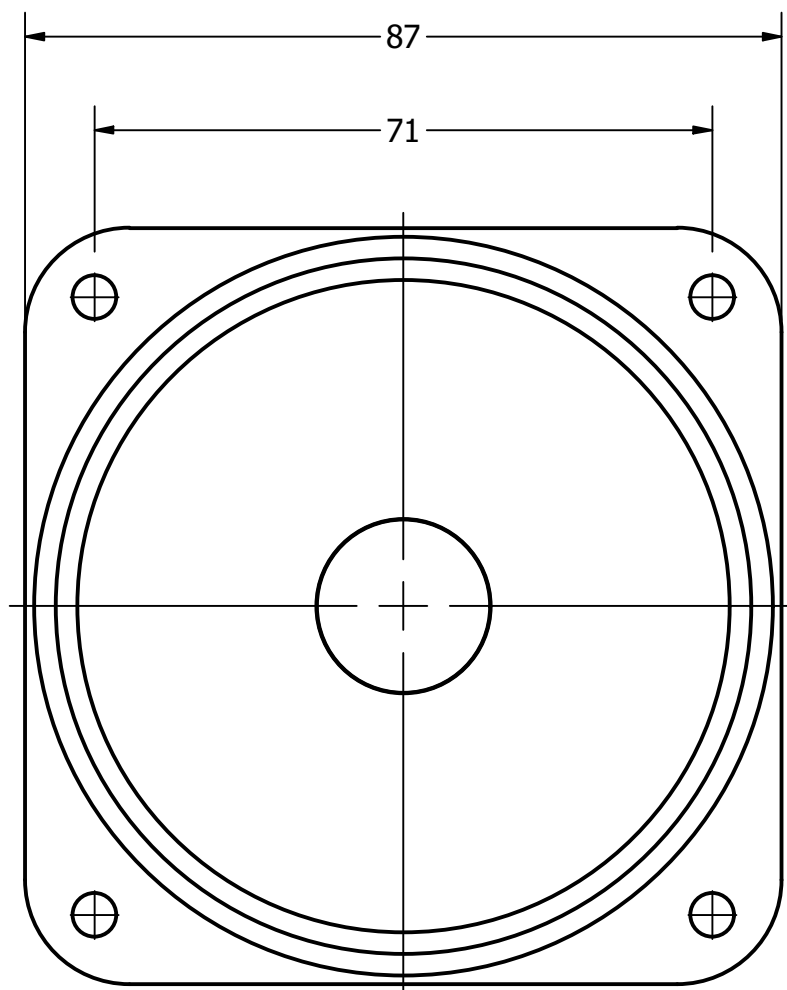
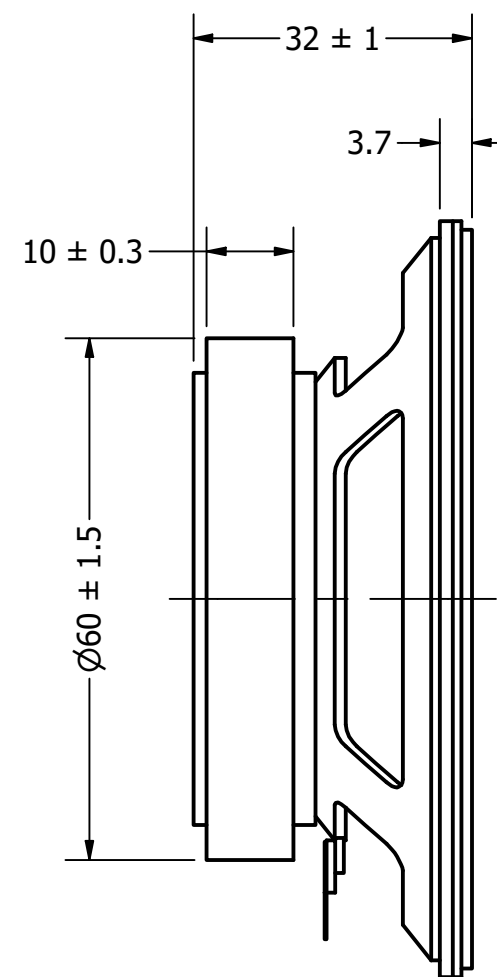


Part Number:	<b>SW870508-1</b>	
DESCRIPTION:	<b>Waterproof High Temp Speaker</b>	
DRAWN	CJ	9/26/2018
CHECKED	C.H.	9/26/2018
APPROVED	C.E.	9/26/2018
This document contains data proprietary to DB Unlimited. Any use or reproduction, in any form, without prior written permission of DB Unlimited is prohibited. All terms and conditions can be found at <a href="http://www.dbunlimitedco.com">www.dbunlimitedco.com</a>		

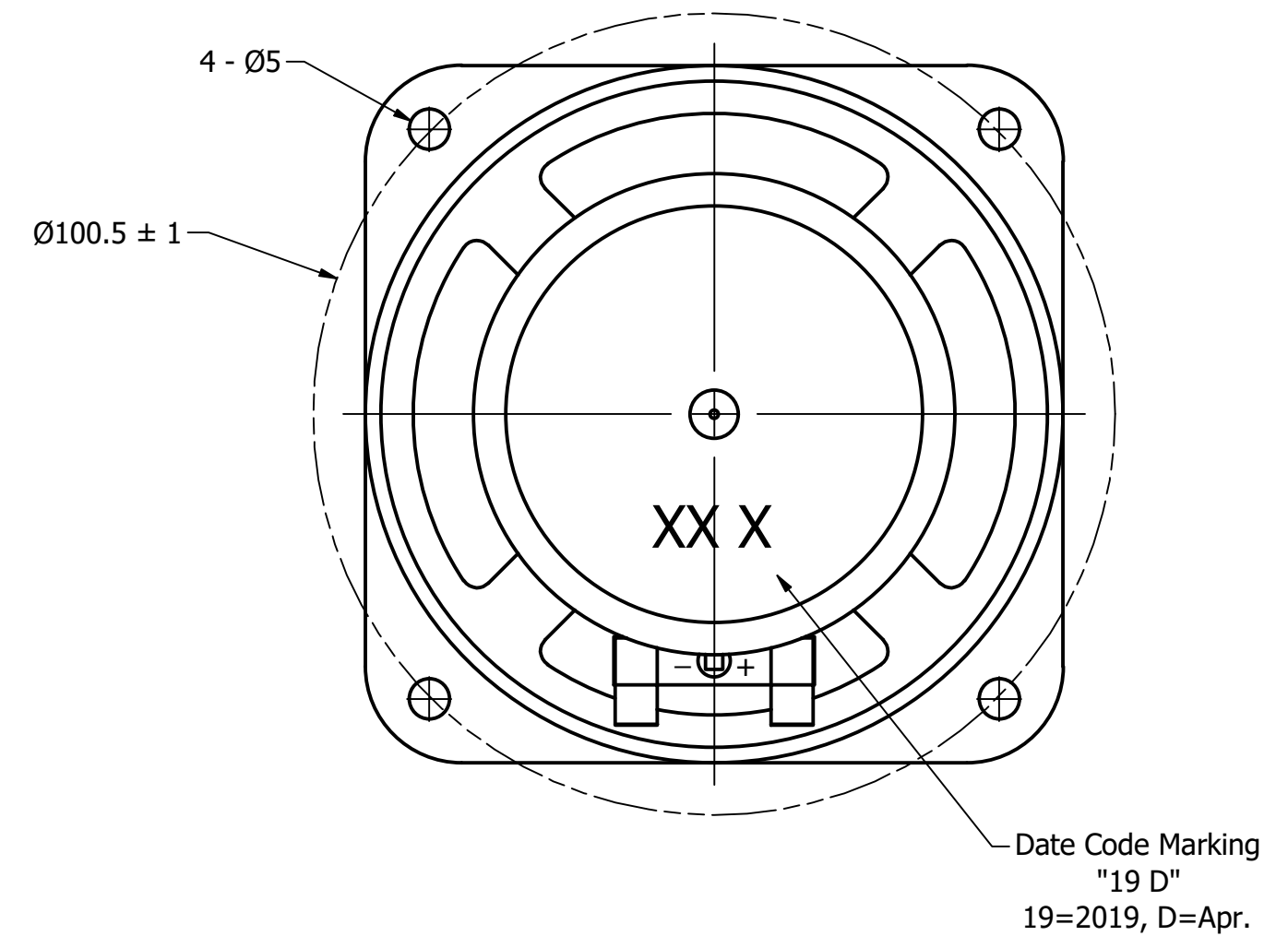
Top View



Side View



Bottom View



Items	Specifications	Conditions
Sound Pressure Level	106	dB (1W@10cm), Avg.
Resonant Frequency	390	Hz
Frequency Range	390 ~ 7,000	Hz
Nominal Power	10	W
Max. Power	15	W
Impedance	8	Ω
Cone Material	PEI	
Mount Type	Frame Mount	
IP Rating	IP67	
Storage Temperature	-40 ~ +85	°C
Operating Temperature	-40 ~ +85	°C
Weight	249	g
Gasket Material	NBR5	
Gasket Durometer	70 shore A	
Gasket Temperature Range	-30 ~ +180	°C
Gasket Thickness	3.0	mm
Gasket Width	2.0	mm

REVISION HISTORY

REV	DESCRIPTION	DATE	APPROVED
	Released from Engineering	9/26/2018	C.E.
1	Updated SPL	12/31/2018	C.E.
2	Updated SPL distance	8/12/2019	C.E.
3	Added gasket info, updated drawing	8/28/2019	C.E.

NOTES

- 1) All dimensions are in mm unless otherwise noted
- 2) All tolerances are ± 0.5 mm unless otherwise noted
- 3) All parts meet RoHS
- 4) Subject to change or redrawn without notice