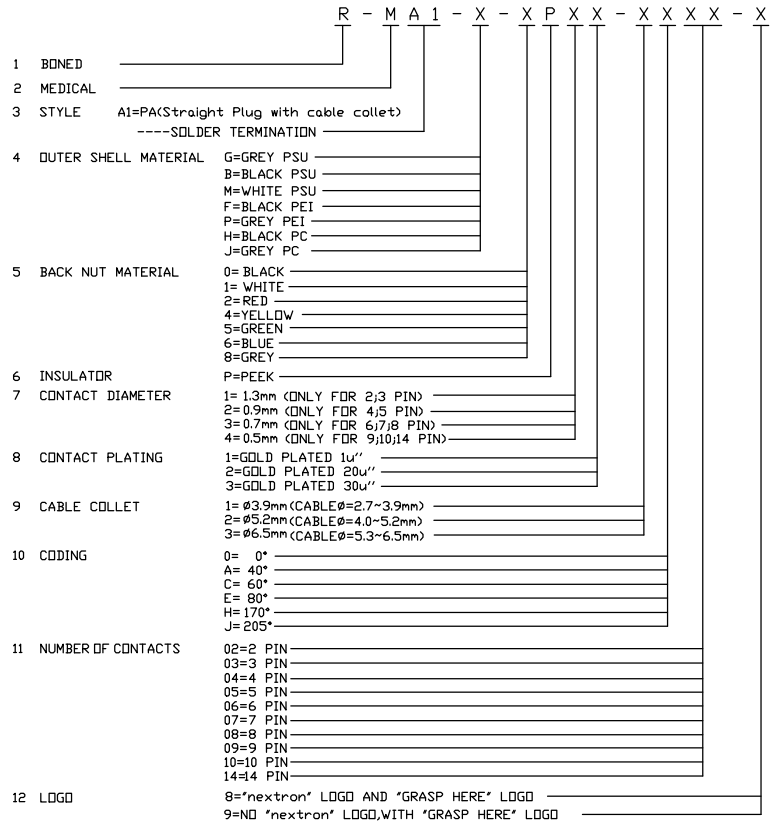
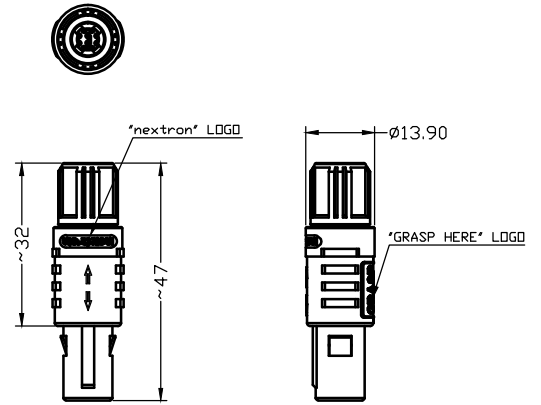


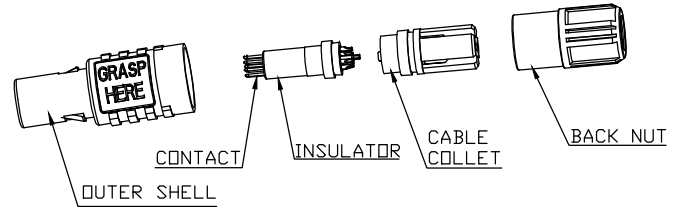
SNAP LATCH ASSEMBLY P/N DESCRIPTION :



POSITIONS	VIEW FROM TERMINATION SIDE	PIN PART
2 PIN		
3 PIN		
4 PIN		
5 PIN		
6 PIN		
7 PIN		
8 PIN		
9 PIN		
10 PIN		
14 PIN		



- NOTES :
- 1.MATERIAL
OUTER SHELL : PSU/PEI/PC
INSULATOR : PEEK
CONTACT : COPPER ALLOY
CABLE COLLET : PSU/PEI/PC
BACK NUT : PSU/PEI/PC
 - 2.NUMBER OF CONTACT : 2 TO 14 POSITION
 - 3.ALL DIMENSIONS ARE IN MILLIMETERS.
 - 4.RoHS DIRECTIVE COMPLIANCE

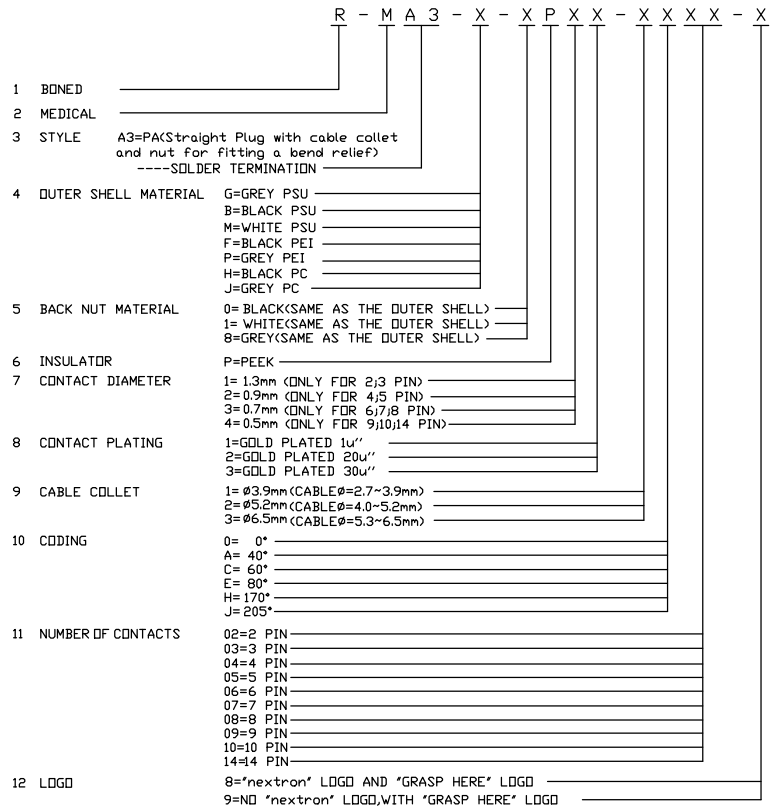


正凌精密工业(广东)有限公司
2017/08/25
内部资料请勿复印

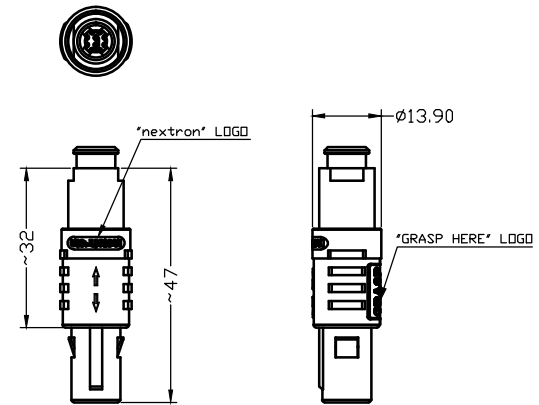
REV.	DESCRIPTION	DATE
X2	ADD GOLD PLATED	08/22/17
X1	NEW RELEASE	07/15/17

UNITS ■mm □INCH	NAME: SNAP LATCH (Straight Plug)	nexttron NEXTRONICS ENGINEERING CORP.	
GENERAL TOLERANCES: (UNLESS SPECIFIED)	PART NO: RMA1XXPXXXXXX	TITLE: CUSTOMER DWG.	
4 PLACE ±.*** ±.***	APPD: 楊海文 2017/08/24	DWG NO: 010-0000-H75	C
3 PLACE ±.*** ±.***	CHKD: 梁良駒 2017/08/22	SCALE: SHEET: REV.: 1/1 1/3 X2	
2 PLACE ±0.20 ±.***	DRAWN: 覃世健 2017/08/22		
1 PLACE ±.*** ±.***	ANGULAR: X°±.*** X°±.***		

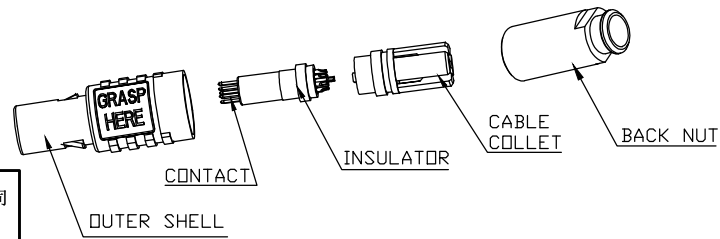
SNAP LATCH ASSEMBLY P/N DESCRIPTION :



POSITIONS	VIEW FROM TERMINATION SIDE PIN PART
2 PIN	
3 PIN	
4 PIN	
5 PIN	
6 PIN	
7 PIN	
8 PIN	
9 PIN	
10 PIN	
14 PIN	



- NOTES :
- MATERIAL
OUTER SHELL : PSU/PEI/PC
INSULATOR : PEEK
CONTACT : COPPER ALLOY
CABLE COLLET : PSU/PEI/PC
BACK NUT : PSU/PEI/PC
 - NUMBER OF CONTACT : 2 TO 14 POSITION
 - ALL DIMENSIONS ARE IN MILLIMETERS.
 - RoHS DIRECTIVE COMPLIANCE

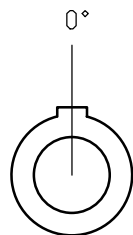


正凌精密工业(广东)有限公司
2017/08/25
内部资料请勿复印

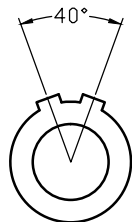
REV.	DESCRIPTION	DATE
X2	ADD GOLD PLATED	08/22/17
X1	NEW RELEASE	07/15/17

UNITS ■mm □INCH		NAME: SNAP LATCH (Straight Plug)	nexttron NEXTRONICS ENGINEERING CORP.	
GENERAL TOLERANCES: (UNLESS SPECIFIED)		PART NO: RMA3XXPXXXXXXX	TITLE: CUSTOMER DWG.	
4 PLACE	± **	APPD: 楊海文 2017/08/24	DWG NO: 010-0000-H75	C
3 PLACE	± **	CHKD: 梁良駒 2017/08/22		
2 PLACE	± 0.20	DRAWN: 覃世健 2017/08/22		
1 PLACE	± **		SCALE: 1/1	SHEET: 2/3
ANGULAR:	X° ± **			REV.: X2

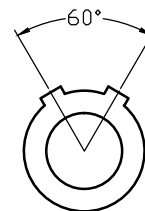
CODING (PLUG FRONT VIEW):



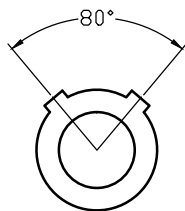
0



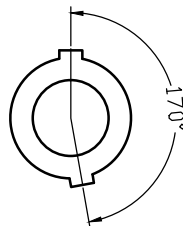
A



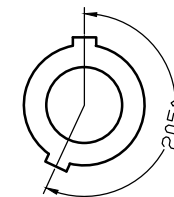
C



E



H



J

正凌精密工业(广东)有限公司

2017/08/25

内部资料请勿复印

REV.	DESCRIPTION	DATE
X2	ADD GOLD PLATED	08/22/17
X1	NEW RELEASE	07/15/17

UNITS <input checked="" type="checkbox"/> mm <input type="checkbox"/> INCH		NAME: SNAP LATCH (Straight Plug)	NEXTRONICS ENGINEERING CORP.	
GENERAL TOLERANCES: (UNLESS SPECIFIED)		PART NO: RMAXXPXXXXXX	TITLE: CUSTOMER DWG.	
	mm	INCH	APPD: 楊海文 2017/08/24	DWG NO: 010-0000-H75
	4 PLACE ±.**	±.**	CHKD: 梁良駒 2017/08/22	C
	3 PLACE ±.**	±.**	DRAWN: 覃世健 2017/08/22	SCALE: SHEET: REV.:
	2 PLACE ±0.20	±.**		1/1 3/3 X2
	1 PLACE ±.**	±.**		
	ANGULAR: X°±.**	.X°±.**		