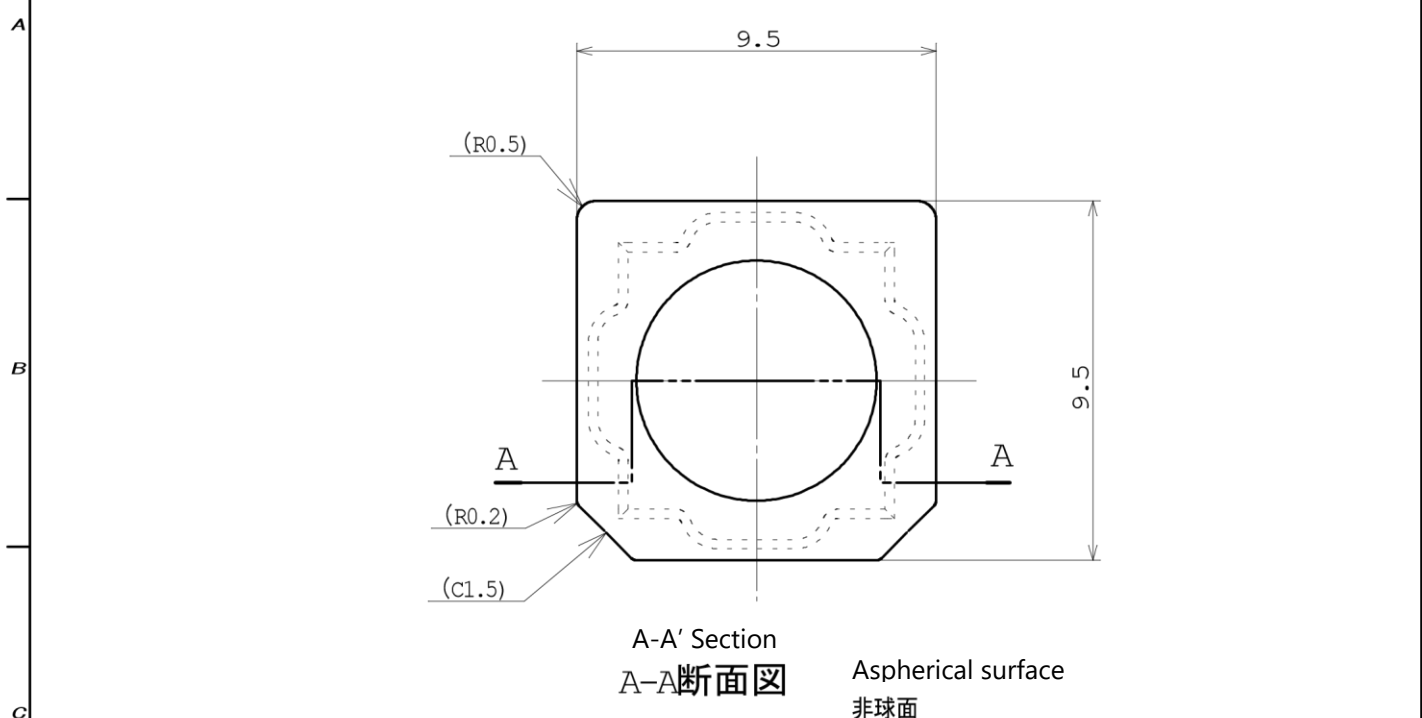
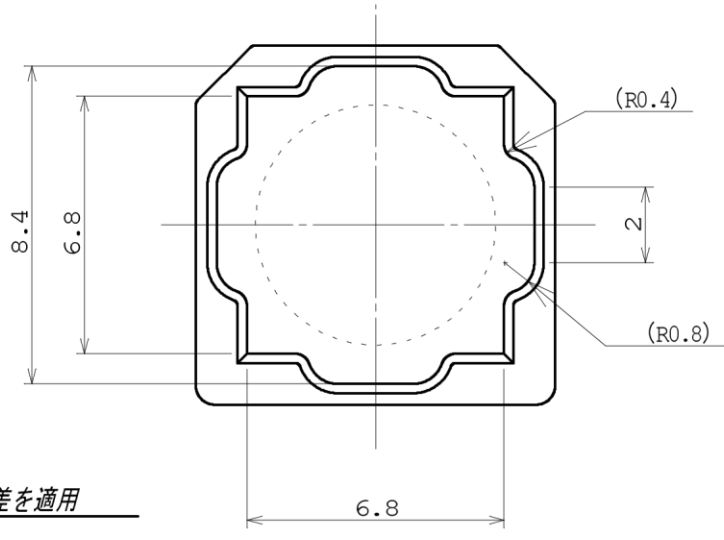
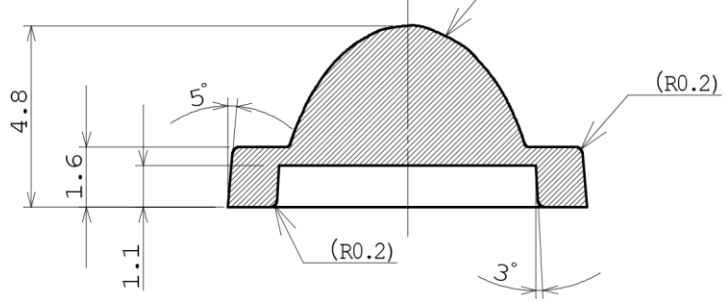


O	SPECIFICATIONS ＜仕様図＞	SURFACE TREATMENT ＜表面処理＞	SYM	DATE	REVISION	REVR	APPR
	HEAT TREATMENT ＜熱処理＞	FINISH ＜仕上げ＞	△ ¹ x				
	REFERENCE ＜参考図＞		△ ² x				



A-A' Section
A-A断面図

Aspherical surface
非球面



NOTE)

・一般寸法公差：下記C公差を適用

General dimensional tolerance: Range C



TOLERANCE UNLESS SPECIFIED			
RANGE	A	B	(C)
LESS THAN 6	±0.2	±0.1	±0.1
OVER 6 TO 20	±0.3	±0.2	±0.1
OVER 20 TO 50	±0.5	±0.3	±0.2
OVER 50 TO 100	±1.0	±0.5	±0.3
OVER 100 TO 300	±2.0	±1.0	±0.5
OVER 300 TO 500	±5.0	±2.5	±1.0
ANGLE	±2°		

ORIGINAL DATE 2021/6/29	MATERIAL (COMPOUND) Silicone rubber	TITLE DK-30M-033K3
SCALE 5 : 1	COLOR Clear	DRAWING NO. 21062901M
UNIT mm	HARDNESS A80	DESIGN T.Motoyanagi
SIZE A 4	3RD ANGLE SYSTEM	DRAWN T.Motoyanagi
		CHECKED S.Endo
		APPROVED E.Ishiguro
株式会社朝日ラバー		

DESIGN				DRAWN				CHECKED				APPROVED			
T.Motoyanagi				T.Motoyanagi				S.Endo				E.Ishiguro			

◆ASA COLOR LENS

Part number : DK-8M-033 / DK-30M-033K3

Initial Properties

1. Physical Properties

Items	Materials : ASR-A80MC
Color	Transparent
Hardness JIS Type A	A80/S±5
Total light transmittance(t=2mm)	90% and more
Refractive index (25°C) (D-line 589 nm)	1.41±0.03

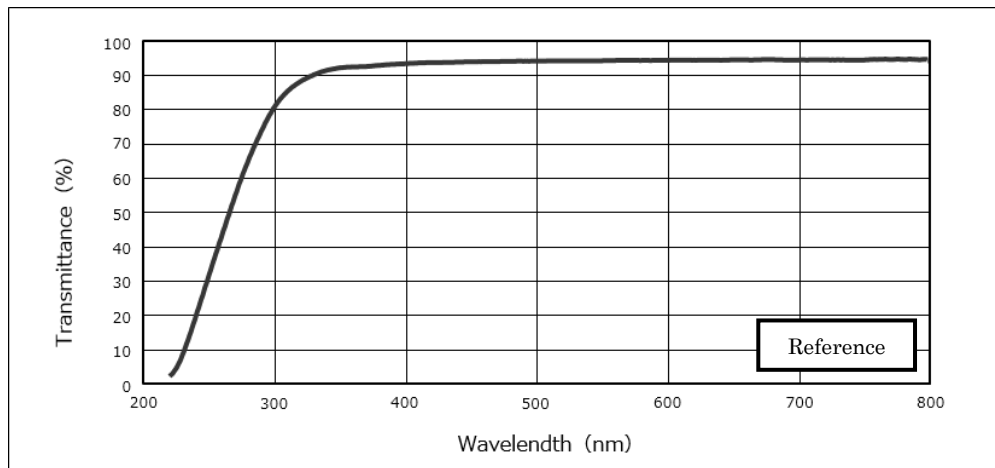


Figure1. Total light transmittance of ASR-A80MC (t=2mm)

2. Light Distribution Data

