
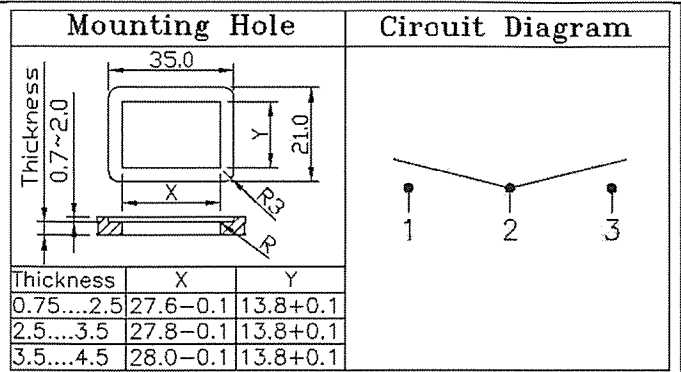
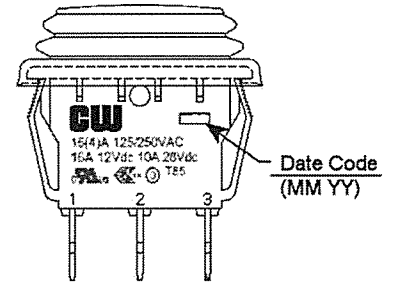
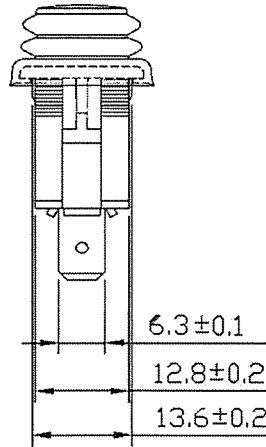
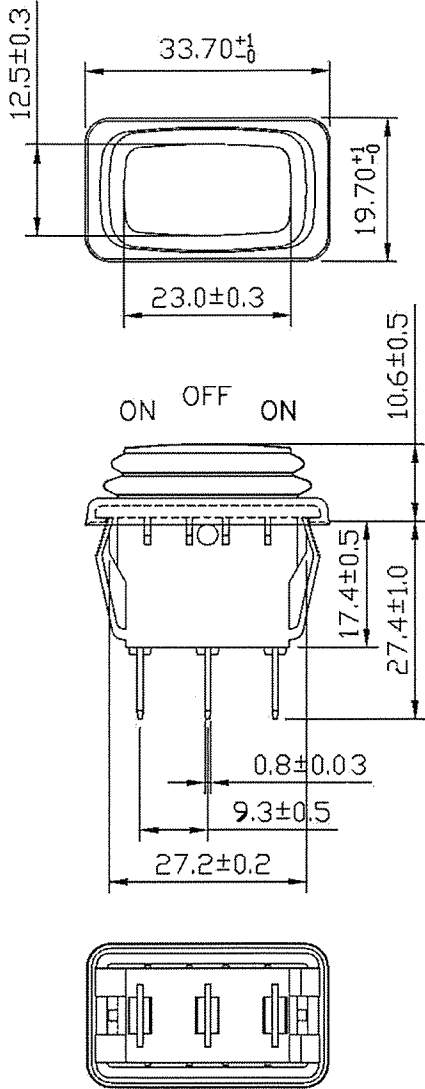


THIS INFORMATION IS CONFIDENTIAL AND PROPRIETARY TO CW INDUSTRIES INCORPORATED AND ITS AFFILIATES. IT MAY NOT BE DISCLOSED TO ANYONE, OTHER THAN CW INDUSTRIES PERSONNEL, WITHOUT WRITTEN AUTHORIZATION FROM CW INDUSTRIES INCORPORATED, SOUTHAMPTON, PENNSYLVANIA USA.

Rating	16(4)A 125V/250VAC		
	16A 12Vdc 10A 28Vdc		
Contact Resistance	50m ohm Max.		
Insulation Resistance	DC 500V 100M ohm Min.		
Dielectric Strength	AC 1500V 1 minute		
Operation Temp.	- 25 °C ~ 85 °C		
Switch Function	3P SPDT ON - OFF - ON		



MATERIAL:
 Frame: Black, Nylon 66 (94-V2)
 Actuator: Black, Nylon 66+30%GF (94-V2)
 Waterproof rubber: Black, Silicone
 Printed: None
 Waterproof: IP65



Order Chart						
Series	Frame Color		Actuator Color		Rating	
GRB238	D8	01	B	B	Z	
Function		Terminal Type		Actuator Color		
(Replacing GRB238D801BB)						

R13-238D8-01

CW INDUSTRIES
 Southampton, Pa. 18966
 Tel 215.355.7080/www.cwind.com

Date Drawn: 1/22/18

Rev. 0

Unit: mm

Checked By: *G. GULD*

Title: **ROCKER SWITCH**

CW P/N: **GRB238D801BBZ**