



VACUUM TUBE SOCKET

BELTON

(VT8 SERIES)

CAT.NO.: BVT8-2

Specially designed 8 pin vacuum tube socket for auto-wave solder

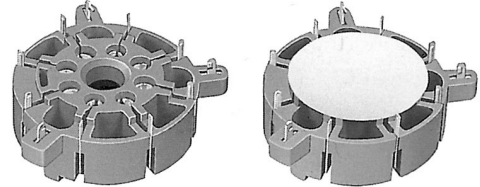
Features

- Safety attachment with 3 positions of mounting pins
- Easy mount with the precise designed tube pins
- Glassfiber filled PPS insulating material

Applications

- Applicable to all types of electric and electronic equipments using vacuum tube

PATENT



REVERBERATION UNIT

ROTARY SWITCH

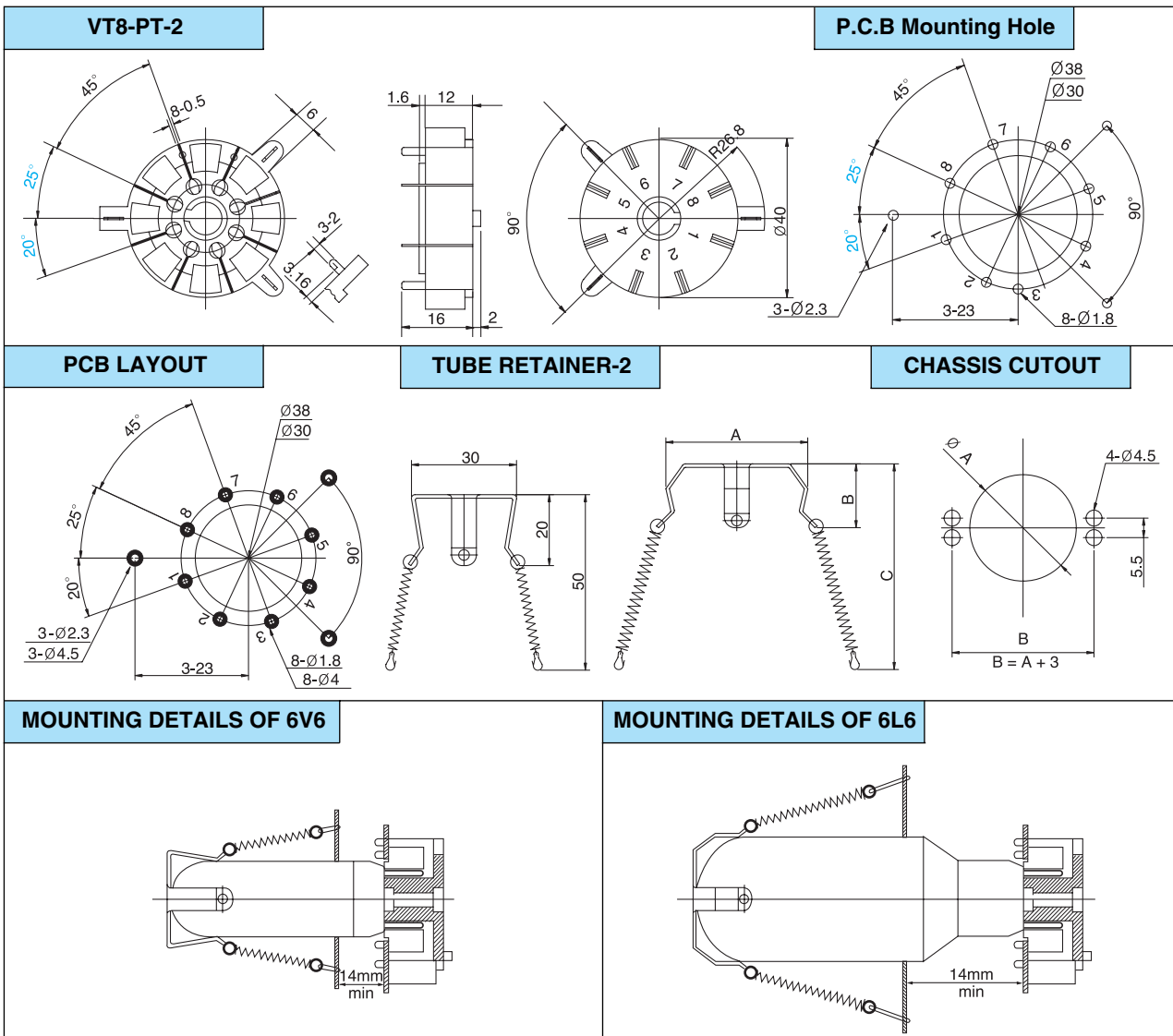
ENCODER SWITCH

VACUUM TUBE SOCKET & SHIELD

POWER ENTRY

JACK & XLR SOCKET

Dimensions



Belton Engineering Co., Ltd.

Unit 1208, Daerung Techno town 8,
481-11, Gasan-Dong,
Geumcheon-Gu, Seoul, Korea

TEL : (822)2163-0060~0065
FAX : (822)2163-0066
E-mail : belton@unitel.co.kr