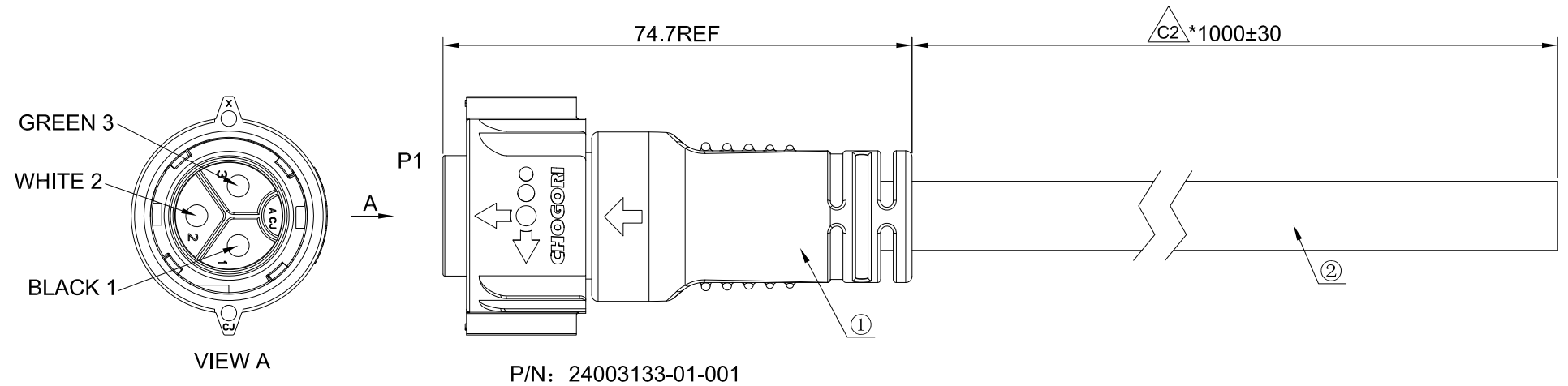


5	6	7	8
REV.	ECN NO.	DATE	SIGN
C1	NA	2022/05/29	XU
C2	NA	2022/06/24	XU
		DESCRIPTION	
		First Version	
		Change The Length To 1000mm	



P/N: 24003133-01-001

- SPECIFICATIONS:**
- 1.INSULATION RESISTANCE: 10MΩ@500VDC/0.01S.
 - 2.VOLTAGE RATING: 300V.
 - 3.CURRENT RATING: 35A.
 - 4.OPERATION TEMPERATURE: -10℃~+105℃.
 - 5.WATERPROOF IPX7(MATED).
 - 6.RoHS COMPLIANT.

2	900-00301-00037	A/R	M	SJTW 3*12AWG PVC 105℃ 300V BLACK OD11.0
1	24003133-01-001	1	PC	LARGE SERIES 3PIN MALE CONNECTOR WITH MALE PIN(4 LOCKS,MOLDING,-501)
No.	Material No.	Q'ty	Unit	Material Description

Material List

ITEM NO.	11C03622051501	DRAWN BY	XU	DATE	2022/06/24
DWG NO.	11C03622051501	CHECKED BY		DATE	
CUSTOMER NO.		REV.		APPROVED BY	

UNIT:mm		TITLE	LARGE SERIES 3PIN MALE CONNECTOR WITH MALE PIN(4 LOCKS,MOLDING,-501) L=1000MM
未注线性和角度尺寸公差 UNSPECIFIED TOLERANCE		SCALE	N/A
		SHEET	1 of 1
GB/T 1804-M	REV. C2	SIZE	A4
			* Inspection Item

CHOGORI[®]
Chogori Technology Co., Ltd

THIS INFORMATION IS CONFIDENTIAL AND IS DISCLOSED TO YOU ON CONDITION THAT NO FURTHER DISCLOSURE IS MADE BY YOU TO OTHER THAN CHOGORI PERSONNEL WITHOUT AUTHORIZATION FROM CHOGORI CORP.