

- NOTES:
- MATERIAL:
 - HOUSING: HALOGEN FREE PLASTIC, HIGH TEMP.,UL94V-0.
 - CONTACT: COPPER ALLOY
 - FITTING NAIL: COPPER ALLOY
 - FINISH:
 - CONTACT: 50~100u" NICKEL UNDERPLATING OVERALL.
 - GOLD FLASH PLATING(1~3u") OVERALL.
 - N:100~200u" MATT TIN PLATING ON SOLDER TAILS,
 - L:100~200u" PURE TINPLATING OVERALL.
 - 120u" MIN. Pure-Tin ON SOLDER TAIL,4U"GOLD
 - 15U"GOLD ON CONTACT FAR LEAD FREE ON CONTACT AREA
 - 120~170u" NICKEL UNDER OVERALL AND 10U"GOLD ON CONTACT
 - 5u"GOLD ON CONTACT AREA,1u" MIN GOLD ON SOLDER AREA
 - FITTING NAIL: 50~100u" NICKEL UNDERPLATING OVERALL.
 - GOLD FLASH PLATING(1~3u") OVERALL.
 - N:100~200u" MATT TIN PLATING ON SOLDER TAILS,
 - L:100~200u" PURE TINPLATING OVERALL.
 - REFLOW SOLDER CAPABLE TO 260°C PER ACES SPEC.
 - SPEC. PLS. REFER TO PS-50224-xxxxx-xxx
 - PACKAGE PLS. REFER TO 87213-XXXX-xxx-TRP & 50224-XXXX-AXX-TRP & 50224-XXXX-XXX-TRP
 - PART NUMBER

P/N LEGEND
50224-XXX X X - XXX

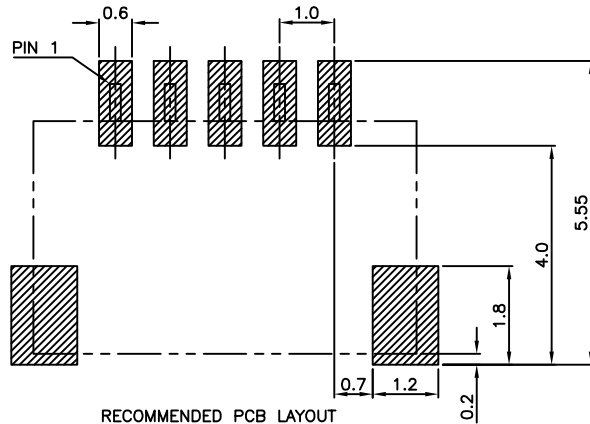
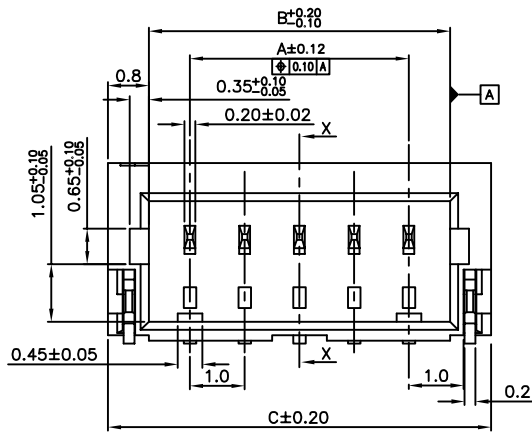
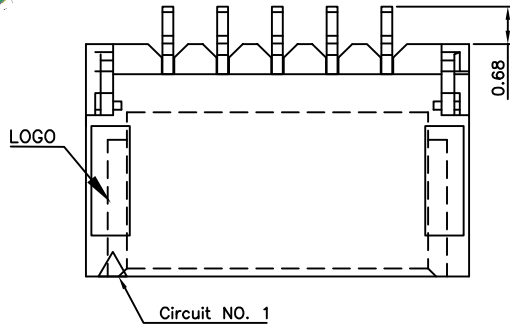
NO OF CKT
PACKING
0:TAPE & REEL
1:TUBE
PLATING
L:LEAD FREE(PURE TIN)
1:G/F OVER ALL(LEAD FREE)
C:15u"GOLD ON CONTACT
N:MATT TIN(LEAD FREE)
T:10U"GOLD ON CONTACT
B:5U"GOLD ON CONTACT AREA
AND 1u" MIN GOLD ON SOLDER AREA

HOUSING COLOR	HALOGEN FREE	PACKAGE	Others
BLACK	HF	87213-XXXX-TRP	001
NATURAL	HF	87213-XXXX-TRP	002
BLACK	HF	87213-XXXX-U-TRP	003
NATURAL	HF	87213-XXXX-TRP	004
NATURAL	HF	50224-XXXXX-05-TRP	005
NATURAL	HF	87213-XXXX-04-TRP	006
BLACK	HF	87213-XXXX-U-TRP	S01
NATURAL	HF	87213-XXXX-U-TRP	S02
BLACK	HF	87213-XXXX-U5-TRP	AT1

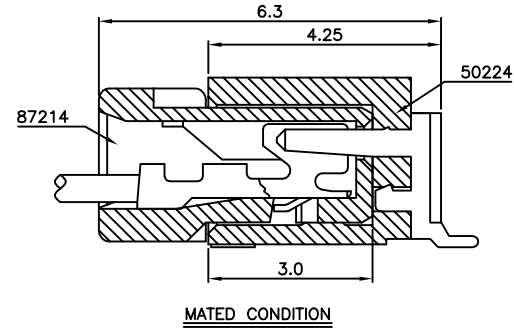
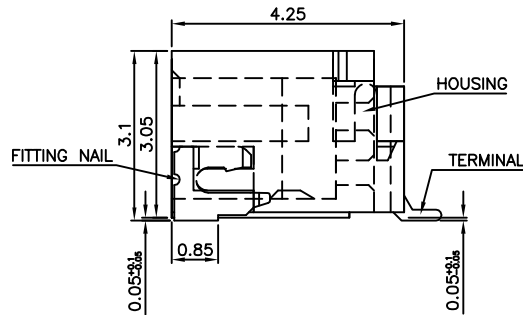
CKT	Dim A	Dim B	Dim C	Dim D
2	1.0	2.4	4.0	
3	2.0	3.4	5.0	
4	3.0	4.4	6.0	
5	4.0	5.4	7.0	
6	5.0	6.4	8.0	
7	6.0	7.4	9.0	
8	7.0	8.4	10.0	
9	8.0	9.4	11.0	
10	9.0	10.4	12.0	
11	10.0	11.4	13.0	
12	11.0	12.4	14.0	
13	12.0	13.4	15.0	
14	13.0	14.4	16.0	
15	14.0	15.4	17.0	
16	15.0	16.4	18.0	
17	16.0	17.4	19.0	
18	17.0	18.4	20.0	
19	18.0	19.4	21.0	
20	19.0	20.4	22.0	
22	21.0	22.4	24.0	
24	23.0	24.4	26.0	
26	25.0	26.4	28.0	
28	27.0	28.4	30.0	

QUALITY SYMBOLS	DRAWN BY	DATE
MAJOR	GUOFEI	22/07/12
CRITICAL		
GENERAL TOLERANCES (UNLESS SPECIFIED)	CHECKED BY	DATE
X. ±0.5	XUZHUYONG	22/07/12
.X ±0.25		
.XX ±0.15	APPROVED BY	DATE
.XXX ±0.1	XUZHUYONG	22/05/13
ANGLES ±2°		

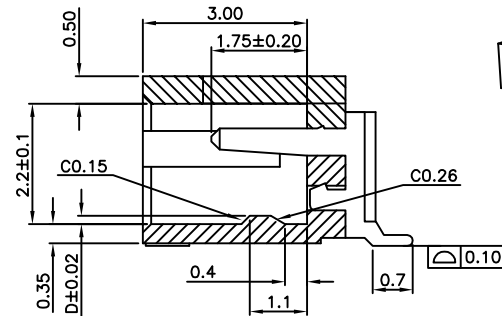
ACES ELECTRONICS	
TITLE	1.0mm WTB CONN.SMT R/A S/R TYPE
SIZE	A4
REFNO.	N/A
REV	Y
DWG NO.	50224-XXXX-XXX



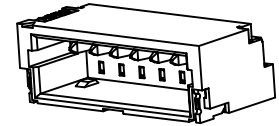
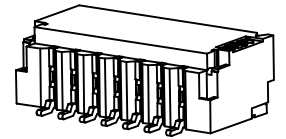
RECOMMENDED PCB LAYOUT
GENERAL TOLERANCE ± 0.05
(TOP VIEW)



MATED CONDITION



SECTION X-X



- NOTES:
- MATERIAL:
 - HOUSING: HALOGEN FREE PLASTIC, HIGH TEMP.,UL94V-0.
 - CONTACT: COPPER ALLOY
 - FITTING NAIL: COPPER ALLOY
 - FINISH:
 - CONTACT: 50~100u" NICKEL UNDERPLATING OVERALL.
1:GOLD FLASH PLATING(1~3u") OVERALL.
 - FITTING NAIL: 50~100u" NICKEL UNDERPLATING OVERALL.
1:GOLD FLASH PLATING OVERALL.
 - REFLOW SOLDER CAPABLE TO 260°C PER ACES SPEC.
 - SPEC. PLS. REFER TO PS-50224-xxxxx-xxx
 - PACKAGE PLS. REFER TO 87213-XXXX-xxx-TRP
 - PART NUMBER

P/N LEGEND
50224-XXX X X - XXX

NO OF CKT
PACKING
0:TAPE & REEL
PLATING
1:G/F OVER ALL(LEAD FREE)

Others	HOUSING COLOR	HALOGEN FREE	PACKAGE
007	BLACK	HF	87213-XXXX-TRP

CKT	Dim A	Dim B	DiMC	Dim D
7	6.0	7.4	9.0	0.15

QUALITY SYMBOLS	DRAWN BY	DATE	ACES ELECTRONICS	
MAJOR	GUOFEI	22/07/12	TITLE 1.0mm WTB CONN.SMT R/A S/R TYPE	
CRITICAL	CHECKED BY	DATE		
GENERAL TOLERANCES (UNLESS SPECIFIED)	XUZHUYONG	22/07/12	SIZE	RFD NO.
	APPROVED BY	DATE	A4	N/A
	XUZHUYONG	22/07/12	SCALE	DWG NO.
X ± 0.5	UNITS	mm	REV	Y
.X ± 0.25	SCALE	2:1	SHEET NO.	2 OF 2
.XX ± 0.15	ANGLES	$\pm 2^\circ$	DWG NO.	50224-XXXXX-XXX