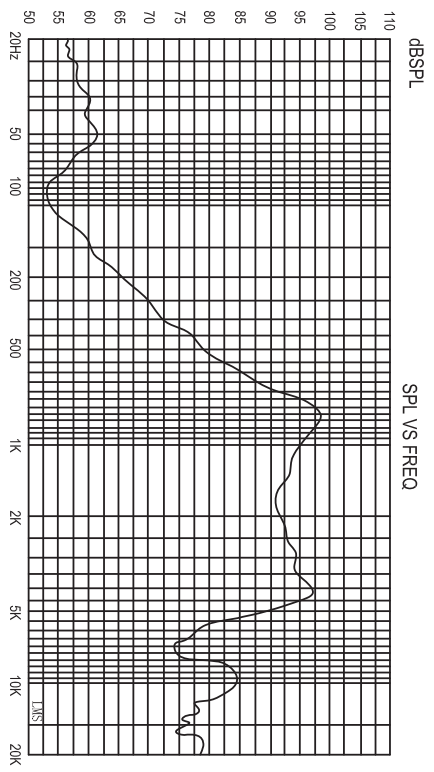
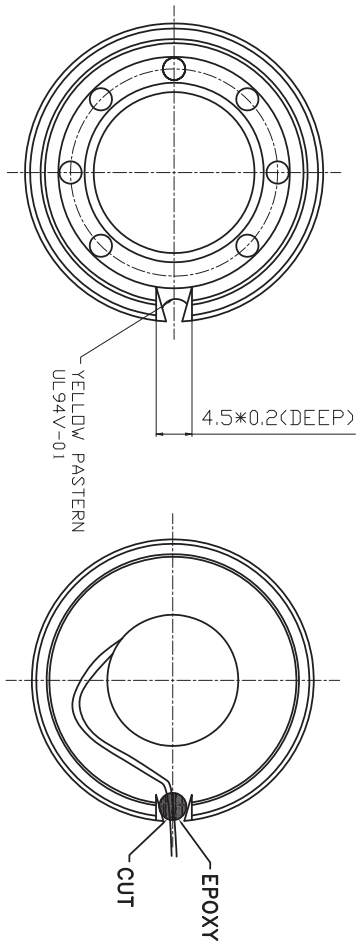


NOTES:  
 1. WIRE/CONNECTOR PULL FORCE:  
 BOTH WIRES: 0.7kg FORCE  
 SINGLE WIRE: 0.5kg FORCE

WIRE LENGTH OPTION:

PART NO.	WIRE LENGTH "L"=WIRE LENGTH"
28A1050-32B(IP)-0428-1.5	1.5"(38.1mm)
28A1050-32B(IP)-0428-10	10"(254mm)
28A1050-32B(IP)-0428	4"(101.6mm)



NOTE: ALL DIMS ARE IN mm.

PROJECTION

SCALE: N/A

TOLERANCE: EXCEPT AS NOTED

DEC. INCHES: N/A

DEC. MILLIMETERS: ±0.3

ANG: ±0°-5'

RDI Research Develop Innovate

RDI, Inc. 333 North Bedford Road, Suite 135, Mount Kisco, NY 10549

TITLE: SPEAKER

DR: JY DATE: 10/17/08 REF. P/N: 28A1050-32B(IP)-0428-SERIES

CK: Bill PRE-SP DRAWING NDL SIZE: F

SHEET 1 OF 2

ECN#	DATE	SYM	REVISION RECORD	AUTH	BY

THIS DOCUMENT IS OWNED BY AND THE INFORMATION CONTAINED IN IT IS PROPRIETARY TO RDI. BY RECEIPT HEREOF THE HOLDER AGREES NOT TO USE THE INFORMATION AND NOT TO DISCLOSE IT TO ANY THIRD PARTY, NOR REPRODUCE THIS DOCUMENT WITHOUT THE WRITTEN CONSENT OF RDI, AND AGREES TO RETURN THIS DOCUMENT FORTHWITH UPON REQUEST.

SPECIFICATION:

NO.	ITEM	SPECIFICATION	TEST CONDITION
1	NOMINAL IMPEDANCE	32±4.8 OHM	AT 1000HZ 1.0V
2	RESONANCE FREQUENCY	800 ±160HZ	WITHOUT Baffle 1.0V
3	OUTPUT S.P.L	90±3 dB 0.1W / 10cm	AT 800, 1000, 1200, 1500, 2000HZ
4	RATED INPUT POWER	0.5W	
5	MAX. INPUT POWER	0.8W	
6	FREQUENCY RESPONSE	Fo ~ 59KHz	OUTPUT S.P.L - 10 dB
7	BZZES & RATTLES	SHOULD NOT BE AUDIBLE BUZZ AND RATTLE	AT 2V SINE WAVE BETWEEN 200Hz ~ 2KHz
8	DISTORTION	5% MAX	RATED POWER INPUT AT 1000 HZ
9	POLARITY	WHEN A POSITIVE D.C CURRENT IS APPLIED TO THE VOICE COIL TERMINAL MARKED +, THE DIAPHRAGM SHALL MOVE FORWARD	
10	FLUX DENSITY	---- GAUSS	
11	MAGNET	SIZE: Ø12.5X2.0MG-F48	
12	WEIGHT OF PART WITHOUT ASSEMBLY	9.12749g	
13	HIGH CONDITION TEMPERATURE TEST	AFTER HAVING BEEN IN A TEST CHAMBER FOR 96 HOURS AT THE CONDITION OF +80°C 20 ~ 25% RH AND THEN LEFT 2 HOURS IN A ROOM, SHOULD SATISFY THE DESCRIBED UNDER TEST CONDITIONS 1 THROUGH 8.	
14	LOW/CONDITION TEMPERATURE TEST	AFTER HAVING BEEN IN A TEST CHAMBER FOR 96 HOURS AT THE CONDITION OF -25°C±3°C AND THEN LEFT 2 HOURS IN A ROOM, SHOULD SATISFY THE DESCRIBED UNDER TEST CONDITIONS 1 THROUGH 8.	
15	HUMIDITY TEST	AFTER HAVING BEEN IN A TEST CHAMBER FOR 96 HOURS AT THE CONDITION OF +40°C 90 ~ 95% RH AND THEN LEFT 4 HOURS IN A ROOM, SHOULD SATISFY THE TEST DESCRIBED UNDER TEST CONDITIONS 1 THROUGH 8.	
16	LOAD TEST	AT 0.5W WHITE NOISE IS APPLIED FOR 96 HOURS AND THEN SHOULD SATISFY THE TEST DESCRIBED UNDER TEST CONDITIONS 1 THROUGH 8.	
17	DROP TEST	DROP THE SPEAKERS CONTAINED IN NORMAL BOX ONTO A BOARD 5mm THICK 2 TIMES FROM A HEIGHT OF 1.0m AND THEN SHOULD SATISFY THE TEST DESCRIBED UNDER TEST CONDITIONS 1 THROUGH 8.	
18	OPERATING TEMPERATURE	-25°C TO + 60°C	
19	STORAGE TEMPERATURE	-40°C TO + 70°C	
20	ACCELERATED OPERATIONAL TEST	USE A SIGNAL GENERATOR INPUT 4V VOLTAGAGE AND 800HZ IMMMOVABLE FREQUENCY SIGNAL FOR 48 HOURS SHOULD SATISFY THE TEST DESCRIBED UNDER TEST CONDITIONS 1 THROUGH 8.	


MATERIAL CHART FOR 28mm SPEAKER:

NO.	COMPONENT	MATERIAL	QTY	FINISH
1	CONNECTOR	PCB	1	Cu PLATING
2	WIRE HARNESS	UL1061#128(Non-RoHS)	1	BLACK&RED
3	FRAME	IRON(Non-RoHS)	1	COLORFUL PLATING(C+6)
4	SOLDER	TIN	1	LEAD FREE
5	CONNECTRO CONTACTS	BRASS	2	TIN PLATED
6	CLOTH	INTERMAGNET	1	BLACK
7	COIL	COPER(SDH 0.5mm)	1	NA
8	MAGNET	N35 DdF48	1	NA
9	MYLAR CONE	PET	1	BLACK
10	GASKET	RUBBER	1	BLACK
11	GLUE(WIRE)	8064	1	YELLOW
12	GLUE(CONE)	4505	1	YELLOW
13	EPOXY	386L	1	BLACK

NOTE: ALL DIMS ARE IN mm.

ECN#	DATE	SYM	REVISION RECORD	AUTH	BY


**Research Develop Innovate**  
 RDI, Inc. 333 North Bedford Road, Suite 135, Mount Kisco, NY 10549

PROJECTION					
SCALE	N/A	TITLE	SPEAKER		
TOLERANCE EXCEPT AS NOTED	N/A	DR	JY	DATE	10/17/08
DEC. INCHES	N/A	CK	Bill	PRE-DR	10/17/08
DEC. MILLIMETERS	±0.3	REF. P/N	28A1050-32B(1P)	DRAWING NDL.	-0428-SERIES
ANG. ±0° - 5'		SIZE	3515	REV.	1 OF 2

THIS DOCUMENT IS OWNED BY AND THE INFORMATION CONTAINED IN IT IS PROPRIETARY TO RDI. BY RECEIPT HEREOF THE HOLDER AGREES NOT TO USE THE INFORMATION AND NOT TO DISCLOSE IT TO ANY THIRD PARTY, NOR REPRODUCE THIS DOCUMENT WITHOUT THE WRITTEN CONSENT OF RDI, AND AGREES TO RETURN THIS DOCUMENT FORTHWITH UPON REQUEST.