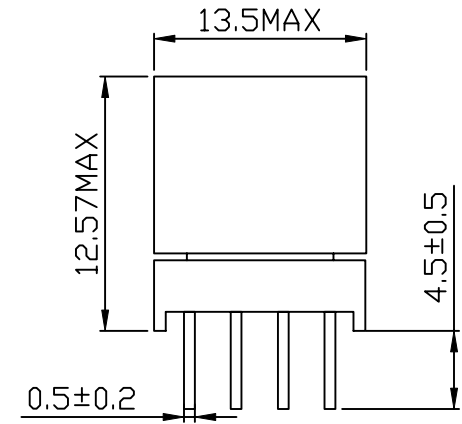
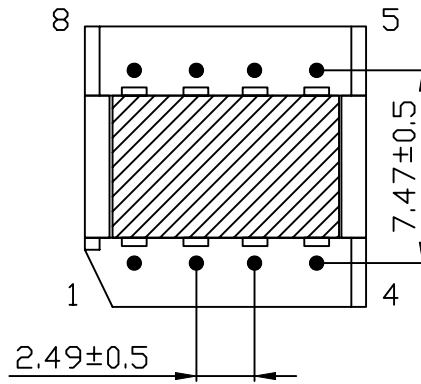
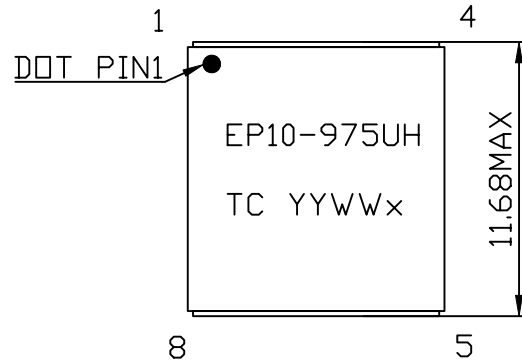


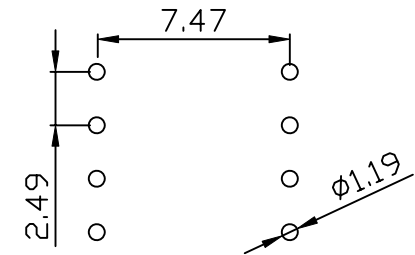
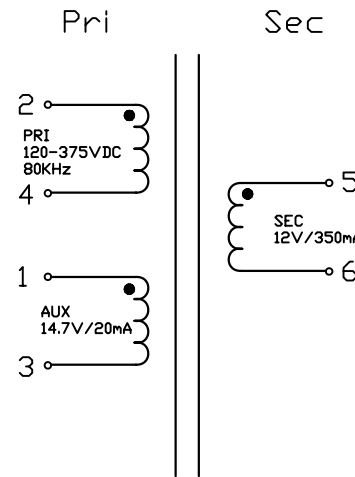
CONFIGURATION & DIMENSIONS: (UNIT:mm)



ELECTRICAL CHARACTERISTICS: @25°C

Inductance: @10KHz/0.1V
 L(2-4)=975uH±10%
 Leakage Inductance: @100KHz/0.1V
 Lk(2-4)=35uH MAX(short other pins)
 DCR:
 R(2-4)=1.2Ω±10%
 R(1-3)=385mΩ±10%
 R(5-6)=40mΩ±10%
 HI-POT:
 Pri to Sec: 625VAC/1mA/1s
 Turns Ratio: @20KHz/1V
 (2-4):(1-3)=3.81:1±1%
 (2-4):(5-6)=6.67:1±1%

SCHEMATIC:



Recommended Land Pattern

NOTE:

This part is ROHS compliant
 Operating Temperature -40°C to +125°C
 (Including self temperature rise)

“.”: START

TOL UNLESS NOTED				TITLE: TRANSFORMER			PART NO: YEP10H-8P975UH				
.X: ±0.40mm					APPROVED BY	CHECKED BY	DRAWN BY	UNIT	mm	SCALE	NONE
.XX: ±0.25mm					ES	LL	JK	SHEET	1	OF	1
.XXX: ±0.10mm	01	07-22-2019	JK								
ANGLE: ±3.0°	REV	DATE	SIGN	TRIGON COMPONENTS, INC. www.trigoncomponents.com							