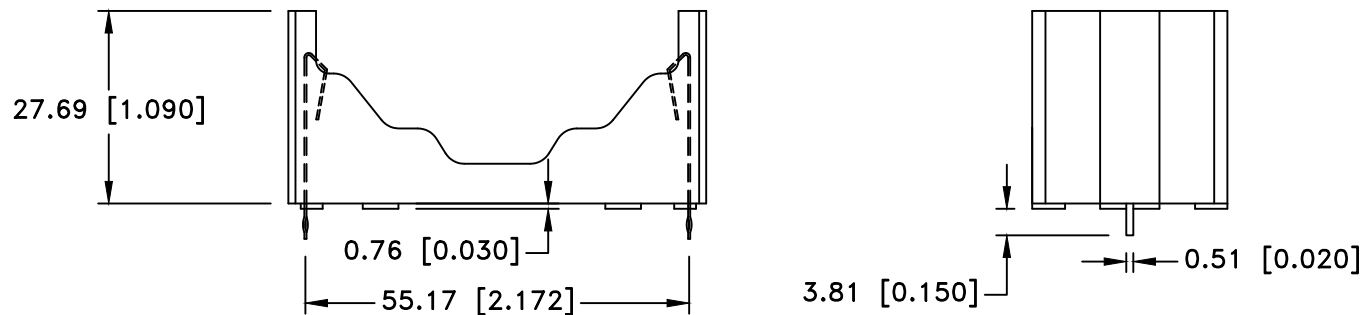
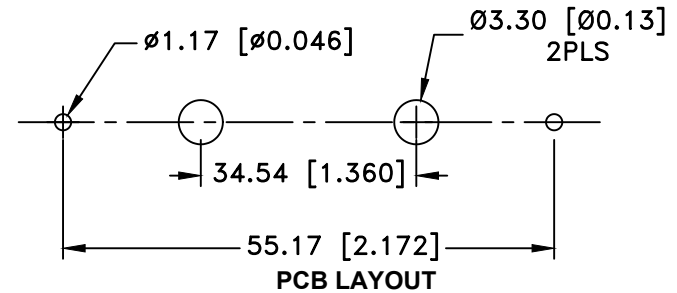
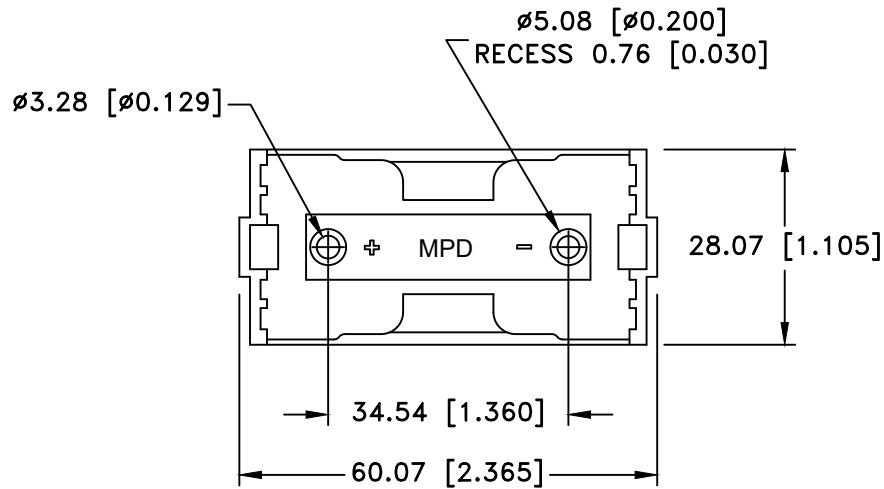



| Date | SYM | REVISION RECORD | AUTH | DR. | CK. |
|----------|-----|------------------------------------------------|------|------|-----|
| 12/11/15 | C | UPDATED CONTACT MATERIAL AND ADDED UL FILE NO. | T.B. | B.S. | |
| 03/12/21 | D | UPDATED TEMPERATURE RANGE, ADDED WEIGHT | T.B. | B.S. | |
| | | | | | |



NOTES:

MATERIAL:

Holder: PBT, 30% Glass, Black, UL94V-0, ULFile No. E51743
 Contacts: 301 Stn. Stl., $\frac{3}{4}$ hard, Spring temper, Nickel Plated Overall
 Temperature Range: -55°C to +180°C
 Vibration Test: 10-50-10 Hz swept in 60 seconds
 X,Y,Z direction: 1 hour each direction, No dislodgement of the cell or damage, No discontinuity over 10 micro-seconds
 Shock Test: Half sine wave acceleration 150g. 6 micro-seconds, 1 shock pulses each direction per axis, total of 6 pulses, No evidence of physical damage
 Approximate Weight: 16.89g
 ROHS COMPLIANT

| | | | |
|--------------------------------|-----------------------------------------------------------------------------------------------------------------------------------------------------------------------------------|-------------------------|--|
| Tolerance (Except as noted) |  Memory Protection Devices, Inc 200 Broad Hollow Road, Farmingdale, New York 11735 | | |
| decimal $\pm .5$ (.020) | Scale | Drawn By B.S. | |
| Fractional $\pm .8$ (.030) | Title C CELL HOLDER WITH PC PINS | | |
| Angular $\pm 3^\circ$ | Date 03/12/21 | Drawing Number BHC-2 | |
| | | Approved By T.B. | |