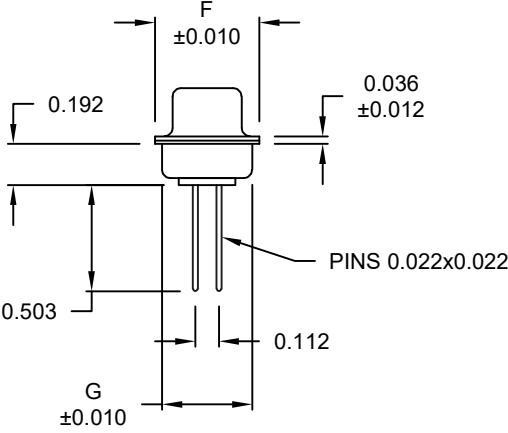
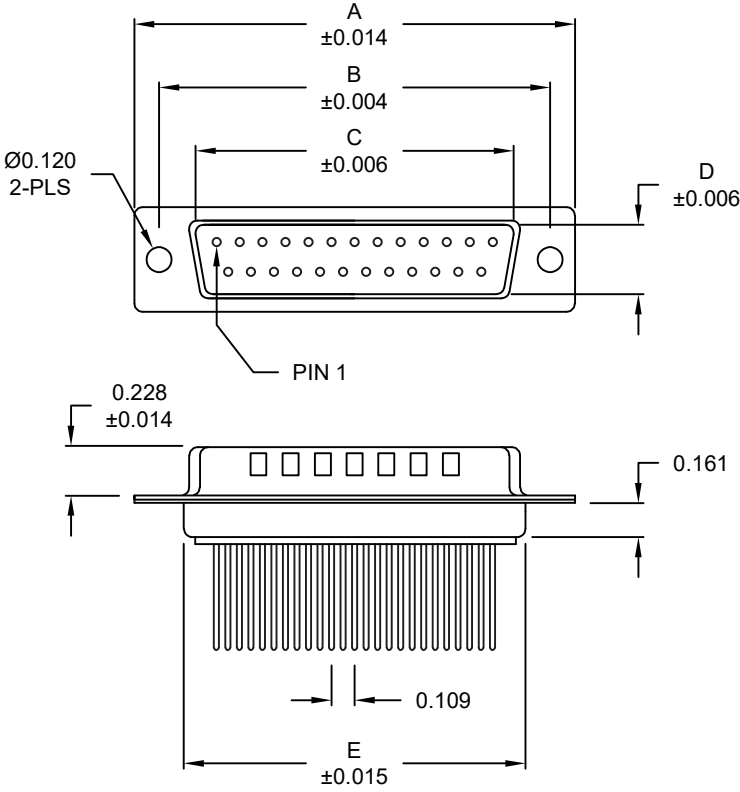


DESCRIPTION: MALE - WIRE WRAP / MACHINED - PREMIUM

DIMENSIONS

No. OF PINS	A	B	C	D	E	F	G
9	1.213	0.984	0.669	0.331	0.760	0.496	0.429
	30.80	24.99	17.00	8.40	19.30	12.60	10.90
15	1.541	1.312	0.996	0.331	1.083	0.496	0.429
	39.15	33.32	25.30	8.40	27.51	12.60	10.90
25	2.088	1.852	1.535	0.331	1.630	0.496	0.429
	53.04	47.04	39.00	8.40	41.40	12.60	10.90
37	2.729	2.500	2.181	0.331	2.276	0.496	0.429
	69.32	63.50	55.40	8.40	57.81	12.60	10.90
50	2.635	2.406	2.079	0.437	2.182	0.598	0.535
	66.93	61.11	52.80	11.10	55.42	15.20	13.60



172-YYY-143RYY1

- SERIES _____
- POSITIONS _____
 - 009
 - 015
 - 025
 - 037
 - 050
- GENDER _____
 - 1 = MALE
- TERMINATION _____
 - 4 = WIRE WRAP
- SHELL PLATING _____
 - 3 = NICKEL (GROUND INDENTS)
- HARDWARE OPTIONS _____
 - 00 = NO HARDWARE
 - 01 = .065" CLINCH NUT (BOARD SIDE)
 - 02 = .250" CLINCH NUT (BOARD SIDE)
 - 03 = .250" CLINCH NUT (MOUNTING SIDE)
 - 05 = .237" 4-40 BOARD LOCK
 - 91 = .237" 4-40 SPACER/ BOARD LOCK
- PLATING OPTIONS _____
 - 1 = GOLD FLASH
 - 2 = 30MICRO-INCH GOLD

MATERIAL:

- SHELL: STEEL, NICKEL PLATED
- INSULATOR: PA6T, UL94 V-0
- PROCESS TEMP.: 260°C
- CONTACT: BRASS

ELECTRICAL:

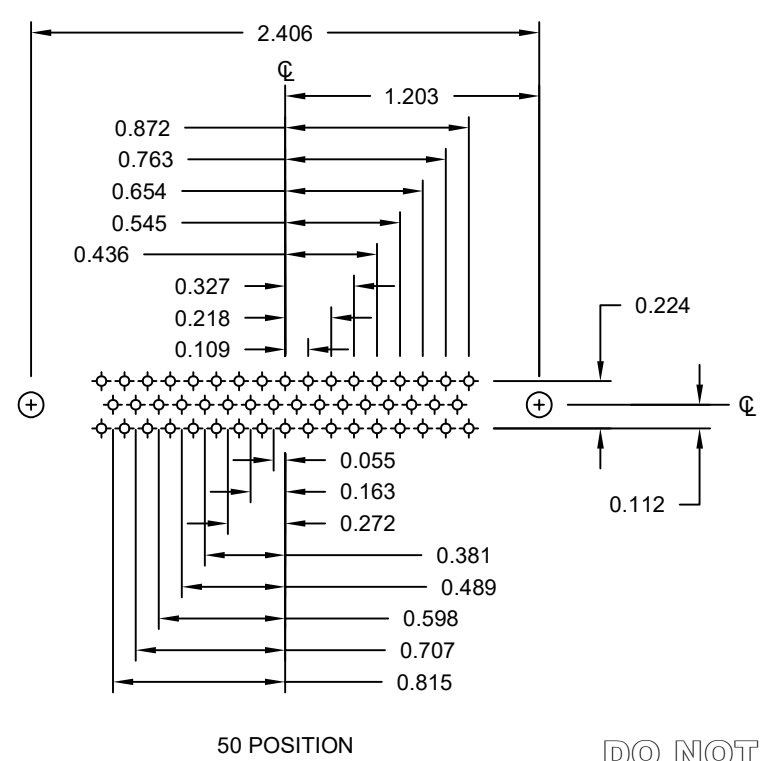
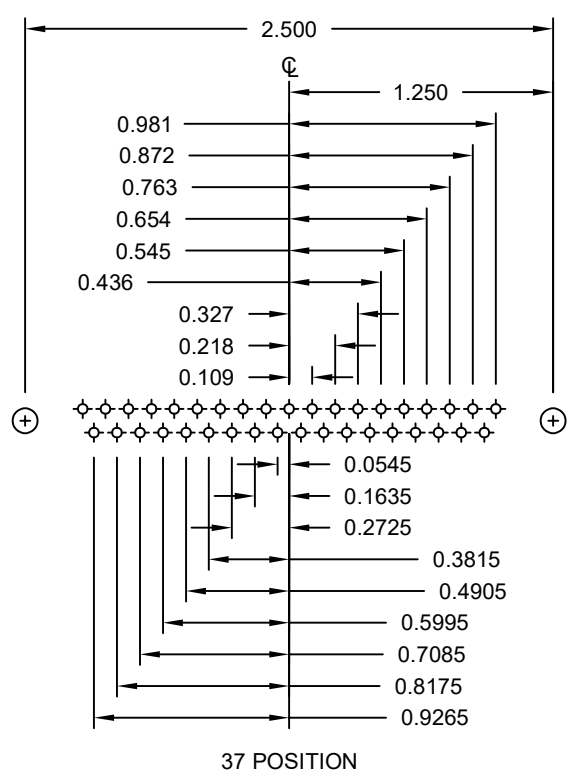
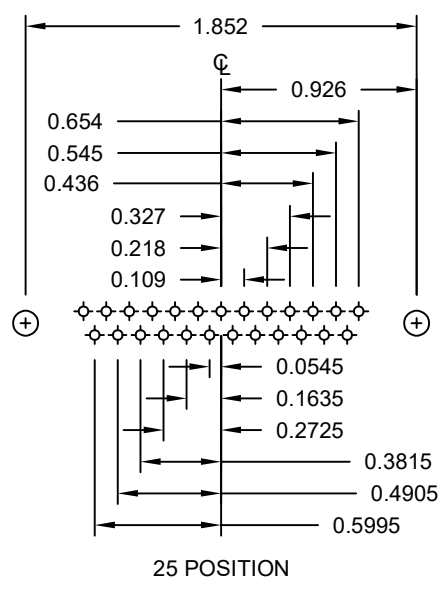
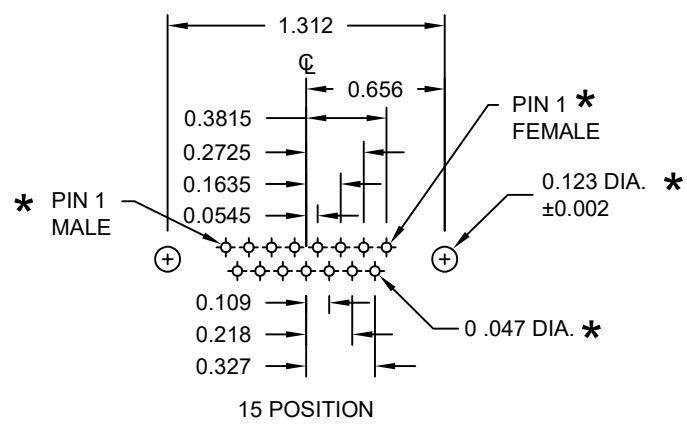
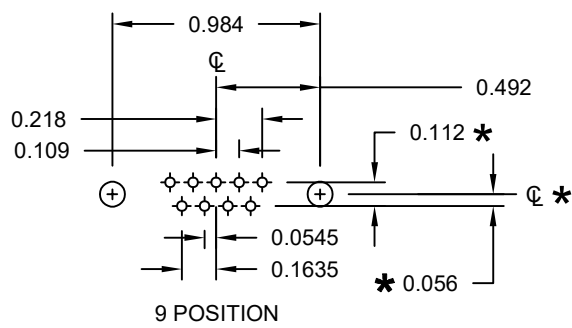
- CURRENT RATING: 5 AMPS
- CONTACT RESISTANCE: 15 mOhms Max.
- INSULATION RESISTANCE: 1,000 MOhms Min.
- VOLTAGE: 500VAC FOR 1 MINUTE
- TEMPERATURE: -50° C TO 100° C

DO NOT SCALE FROM DRAWING

RoHS COMPLIANT


	THESE DRAWINGS AND SPECIFICATIONS ARE THE PROPERTY OF NorComp AND SHALL NOT BE REPRODUCED, COPIED OR USED AS THE BASIS FOR THE MANUFACTURE OF SALE OF APPARATUS WITHOUT WRITTEN PERMISSION.		DRAWN: PAM JENKINS	DATE: 11-23-05
	<h1>NorComp</h1>		SCALE: NTS	SHEET OF 1 3
			DWG NO. 172-YYY-143RYY1	

DESCRIPTION: PCB LAYOUT - STANDARD "D" - MALE & FEMALE



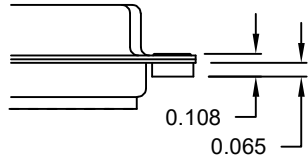
* TYP. ON ALL SIZES

DO NOT SCALE FROM DRAWING

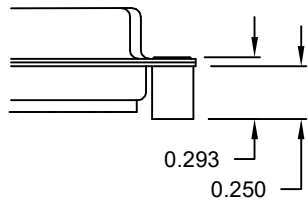
	THESE DRAWINGS AND SPECIFICATIONS ARE THE PROPERTY OF NorComp AND SHALL NOT BE REPRODUCED, COPIED OR USED AS THE BASIS FOR THE MANUFACTURE OF SALE OF APPARATUS WITHOUT WRITTEN PERMISSION.		DRAWN: PAM JENKINS	DATE: 11-23-05
	NorComp		SCALE: NTS	SHEET OF 2 3
DWG NO. 172-YYY-143RYY1				

ALL CLINCH-NUTS ARE 4-40 INTERNAL THREADS

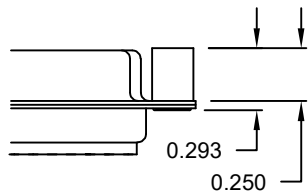
01X 0.065" (BOARD SIDE)



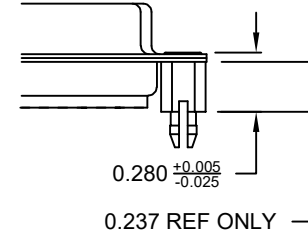
02X 0.250" (BOARD SIDE)



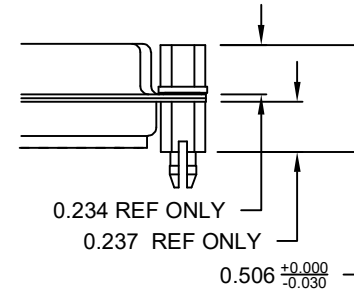
03X..... 0.250" (MATING SIDE)



05X 0.237" (BOARD SIDE)



91X 0.237" (BOARD SIDE)




TOLERANCE:
ALL DIMENSIONS ARE ±0.010
UNLESS OTHERWISE
SPECIFIED

NOTE: 4-40 FEMALE SCREW LOCK IS REMOVABLE

DO NOT SCALE FROM DRAWING

RoHS COMPLIANT

	THESE DRAWINGS AND SPECIFICATIONS ARE THE PROPERTY OF NorComp AND SHALL NOT BE REPRODUCED, COPIED OR USED AS THE BASIS FOR THE MANUFACTURE OF SALE OF APPARATUS WITHOUT WRITTEN PERMISSION.		DRAWN: PAM JENKINS	DATE: 11-23-05
	NorComp		SCALE: NTS	SHEET OF 3 3
			REV 14	DWG NO. 172-YYY-143RYY1