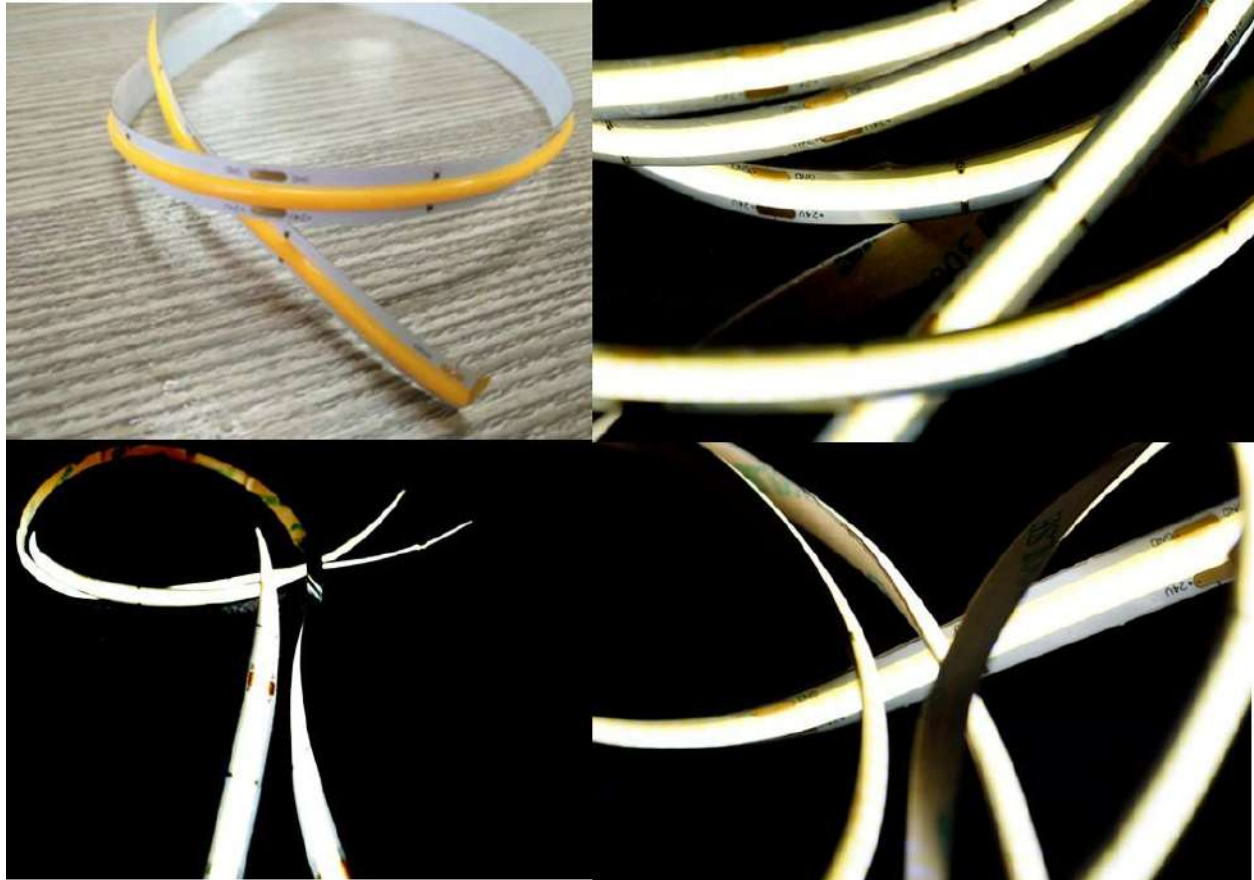




Flexible COB Light Strip

IP65, 197" , 12/24VDC, single color series



Features:

- UL listed (UL2108)
- IP65 rating
- No hotspots
- High lumen output (up to 1200lm/m)
- Wide viewing angle (150°)
- Storage Temperature: -20°C~75°C
- Operating Temperature: -20°C~60°C
- Humidity tolerance: 40-70% RH

Application:

- Commercial building
- Residential building
- Entertainment lighting
- Hotels
- Signages



Product Performance Parameters:

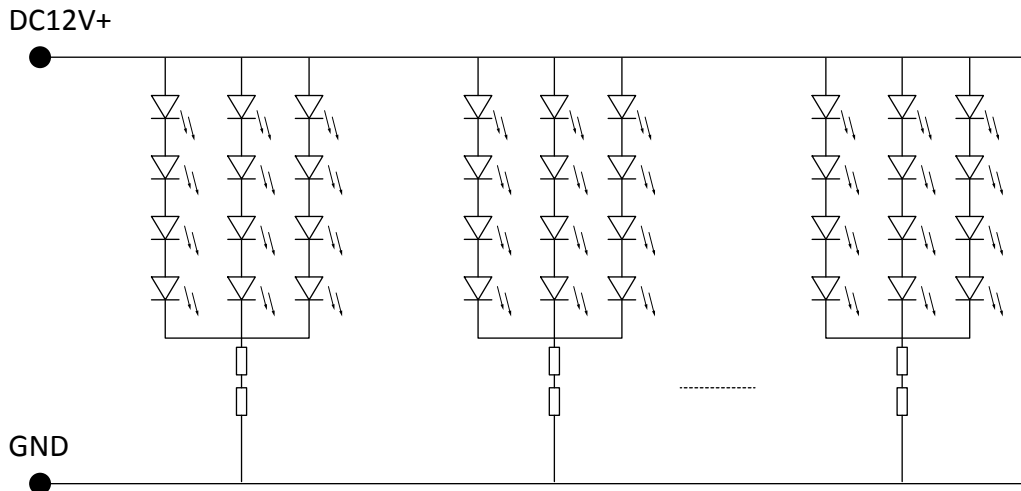
| P/N | CCT/nm | CRI | Lumen output (lm/M) | Efficacy (lm/W) | Working voltage 12/24(V)/I _F (A) | Rated Power (W/M) |
|----------------------|-----------|-----|---------------------|-----------------|---|-------------------|
| AB-FO01227-19712-9A1 | 2700K | >90 | 840 | 70 | DC12V/1.0A | 12 |
| AB-FO01230-19712-9A1 | 3000K | >90 | 912 | 76 | DC12V/1.0A | 12 |
| AB-FO01240-19712-9A1 | 4000K | >90 | 1020 | 85 | DC12V/1.0A | 12 |
| AB-FO01265-19712-9A1 | 6500K | >90 | 1080 | 90 | DC12V/1.0A | 12 |
| AB-FO012RD-19712-XA1 | 520-530nm | n/a | 240 | 20 | DC12V/1.0A | 12 |
| AB-FO012GN-19712-XA1 | 625-635nm | n/a | 756 | 63 | DC12V/1.0A | 12 |
| AB-FO012BL-19712-XA1 | 460-470nm | n/a | 192 | 16 | DC12V/1.0A | 12 |
| AB-FO012AM-19712-XA1 | 590-595nm | n/a | 636 | 50 | DC12V/1.0A | 12 |
| AB-FO02427-19712-9A1 | 2700K | >90 | 840 | 70 | DC24V/0.5A | 12 |
| AB-FO02430-19712-9A1 | 3000K | >90 | 912 | 76 | DC24V/0.5A | 12 |
| AB-FO02440-19712-9A1 | 4000K | >90 | 1020 | 85 | DC24V/0.5A | 12 |
| AB-FO02465-19712-9A1 | 6500K | >90 | 1080 | 90 | DC24V/0.5A | 12 |
| AB-FO024RD-19712-XA1 | 520-530nm | n/a | 240 | 20 | DC24V/0.5A | 12 |
| AB-FO024GN-19712-XA1 | 625-635nm | n/a | 756 | 63 | DC24V/0.5A | 12 |
| AB-FO024BL-19712-XA1 | 460-470nm | n/a | 192 | 16 | DC24V/0.5A | 12 |
| AB-FO024AM-19712-XA1 | 590-595nm | n/a | 636 | 53 | DC24V/0.5A | 12 |

Notes :

1. Luminous flux plus or minus 10% is allowed in the floating.
2. Maximum length current attenuation 15%.
3. Photometric standards are based on CIE eye sensitivity curve diagram test.

Schematic diagram:

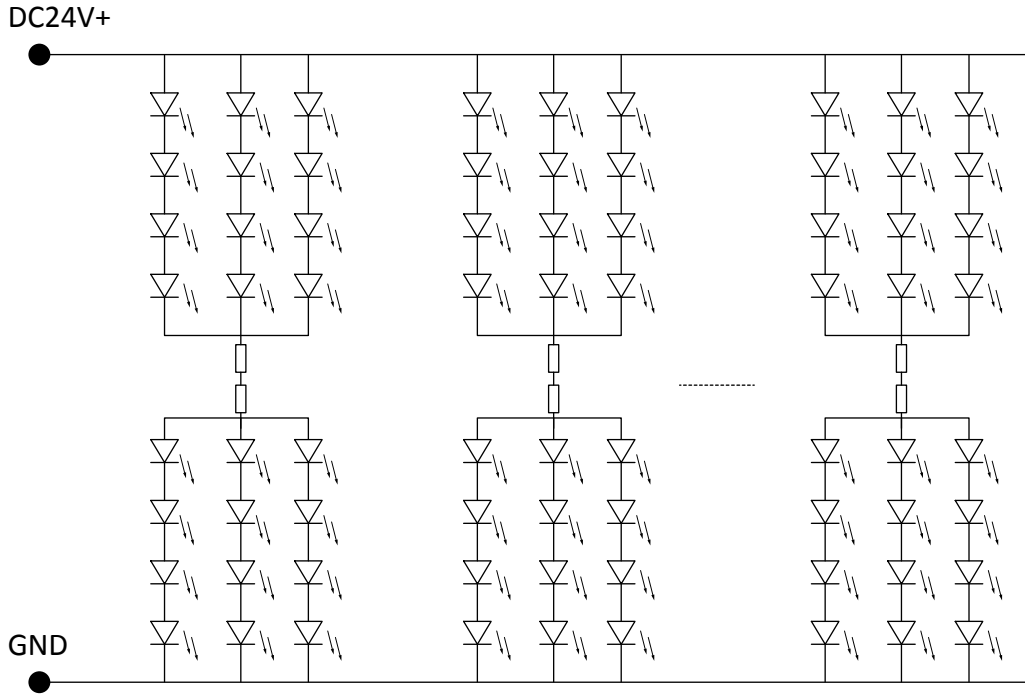
Schematic:





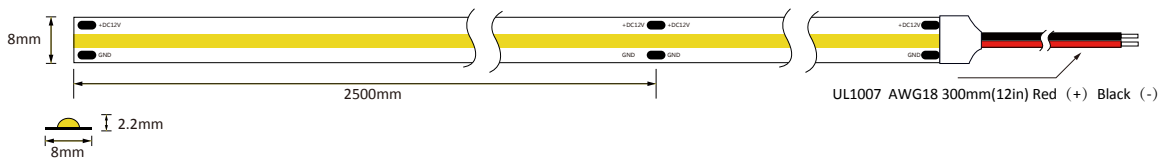
Product Size Chart:

**Schematic:
(DC24V)**

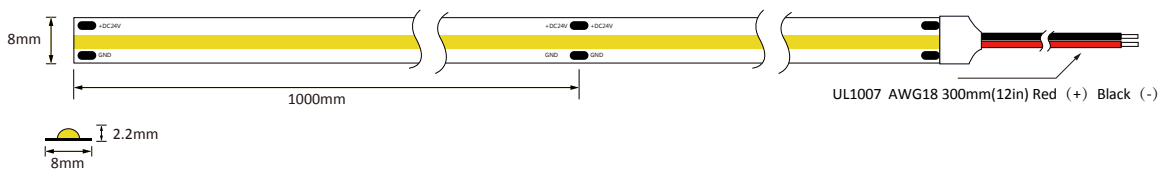


Product size chart:

DC12V 480LED/M



DC24V 480LED/M

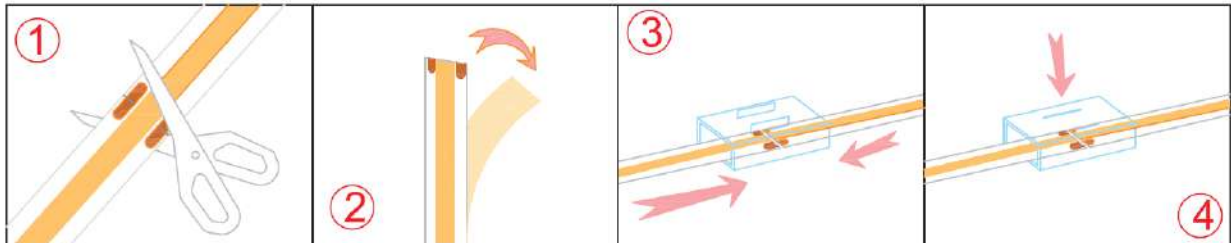


1. UNIT:MM(IN)
2. COLOR:WHITE
3. 3M 9495 double-sided tape on the back

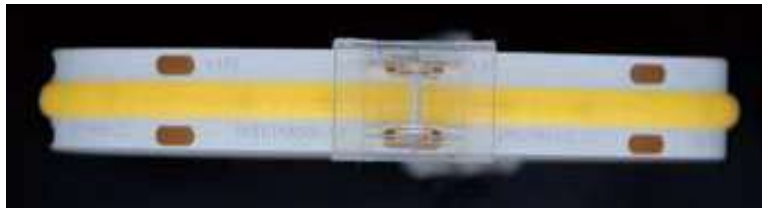


Cutting and Connecting Instruction:

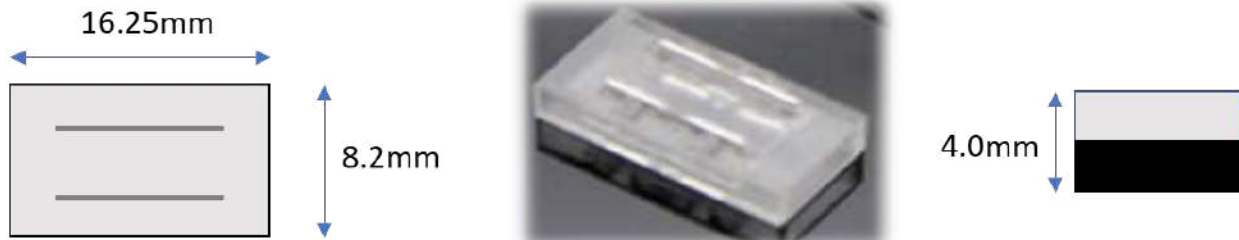
Please follow the below instruction if you want to elongate the COB light strip.



1. Field cut the light strip at everywhere with soldering pads.
2. Peel out the 3M adhesive tape
3. Put together the 2 light strips and the connector, AB-TSC-06-2
4. Make sure the connector fastens the lights



The dimension of the connector, AB-TSC-06-2:





Maximum Flexibility Precaution:

NOTE: DO NOT BEND TO A RADIUS OF LESS THAN 0.59 INCH

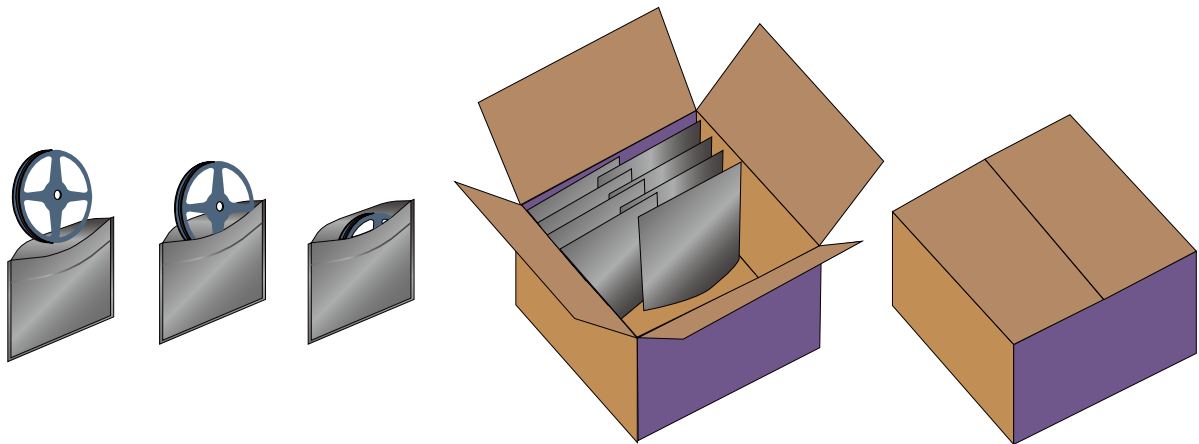
NOTE: SHARP BENDING ISN'T ALLOWABLE

NOTE: DO NOT AXIAL BEND TO THE HEIGHT OF MORE THAN 19.8mm WITHIN 0.78 INCH SEGMENT

NOTE: DO NOT HORIZONTAL BEND TO A RADIUS OF LESS THAN 18 INCH

NOTE: DO NOT TWIST MORE THAN 90° OVER THE LENGTH OF ONE 24v SEGMENT/ TWO 12V SEGMENTS (4" TOTAL LENGTH)

Product packaging



| Unit length | Qty/ Box | Ret Weight/ Box | Gross Weight/ Box |
|-------------|----------|-----------------|-------------------|
| 197" | 10 | 3.5kg (7.7bs) | 4.0kg (8.8lbs) |