

## Specification For Approval

Module Description:	LCD197-050
Customer:	

Approvals	
Model Number	LCD197-050CTL1ARNTTR1.0 LCD197-050NTL1ARNTTR1.0 LCD197-050NTL0NCNTTR1.0
Datasheet Revision	R1.0
Drawing Revision	B

Lincoln Technology Solutions			
Created by:	<u>Lexie Han</u>	Date:	<u>1/12/2022</u>
Checked by:	<u>Scott Silberman</u>	Date:	<u>5/11/2022</u>
Approved by:	<u>Jacob Kimbrell</u>	Date:	<u>5/17/2022</u>

Customer	
Approved by:	_____ Date: _____

Table of Contents

Revision History .....4

    Document Revision.....4

    Hardware Revision .....4

    Ordering Information.....4

General Specifications.....5

Block Diagram .....6

Pin Out-LCD .....7

Pin Out – PCAP.....9

Absolute Max Ratings – LCD .....9

Absolute Max Ratings – PCAP.....10

Electrical Characteristics - LCD.....10

Electrical Characteristics – PCAP .....11

Backlight Specifications.....12

LED Lifetime.....13

Timing Specifications - LCD.....14

Timing Specifications – PCAP.....14

MIPI Init.....16

EDID Parameters.....17

Optical Characteristics.....18

Packaging - Production.....22

Quality & Inspection Criteria .....23

    Terminologies: .....23

    Inspection Conditions.....27

    Acceptance Criteria Table:.....28

Appendix 1: Drawing .....30

## Revision History

### Document Revision

Date	Version #	Description
1/12/2022	R0.1	Initial Release
6/1/2022	R1.0	Production Release of DS. Ordering information added.

### Hardware Revision

Date	Version #	Description
1/12/2022	R0.1	Initial samples
3/30/2022	R1.0	Production Release

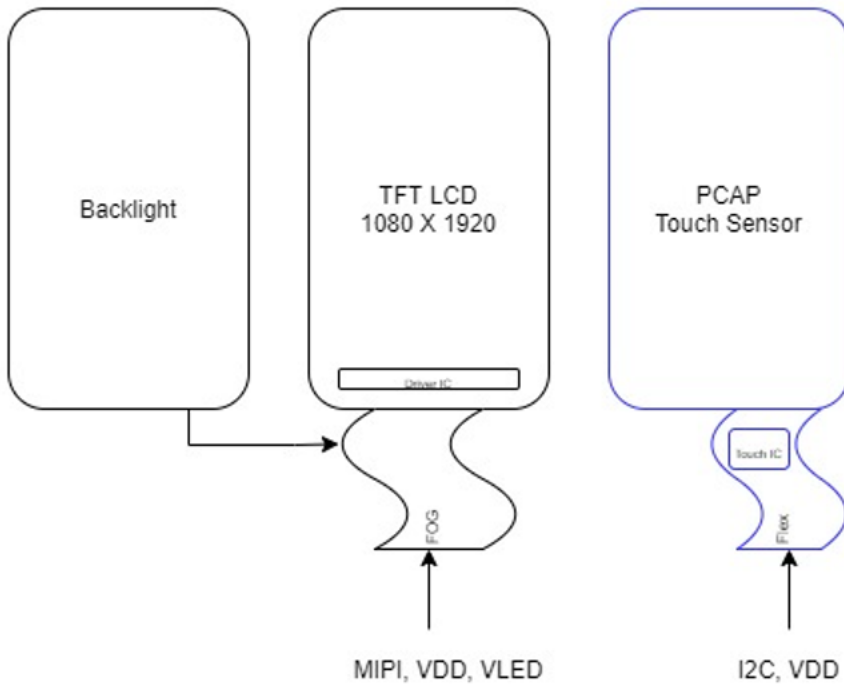
### Ordering Information

Type	Orderable Part #
CTL1 – Touch with Cover Lens	LCD197-050CTL1ARNTTR1.0
NTL1 – No Touch with Cover Lens	LCD197-050NTL1ARNTTR1.0
NTL0 – No Touch No Cover Lens	LCD197-050NTL0NCNTTR1.0

## General Specifications

Item	Specification	Unit
Outline Dimensions	75.88 (W) x 119.47 (L) x 4.20 (H)	mm
Display Size	4.97	inches
Active Area	61.88 X 110.02	mm
Sub Pixel Pitch	19.1 X 57.3	um
Number of Dots	1080 X 1920	-
LCD Type	IPS 16.7M Display Color by 8bit	-
Backlight Type	LED White High Gamut	-
Viewing Direction	Free	-
Touch Panel	Optional PCAP FT5446U	-
Luminance	3000	cd/m <sup>2</sup>
Interface	MIPI – Himax HX8399-C	-
Surface Treatment	Cover Lens w/AR	-
Operating	-20 to 70	°C

## Block Diagram



## Pin Out-LCD

Recommended mating connector Panasonic AYF333135

Number	Symbol	I/O	Description
1	LEDA1	P	LED anode
2	LEDA2	P	LED anode
3	LEDK1	P	LED cathode
4	LEDK2	P	LED cathode
5	NC	-	No Connection
6	GND	P	Ground
7	TE	O	Tear Enable effect pin
8	NC	-	No connection
9	IOVCC	P	Power supply (1.8V)
10	AVDD	P	Positive analog supply voltage
11	AVEE	P	Negative analog supply voltage
12	LEDPWM	O	LED PWM signal
13	RESET	I	Reset in pin (Active low)
14	GND (LCD ID0)	P	GND (Customer ID pin)
15	IOVCC (LCD ID1)	P	IOVCC (Customer ID pin)
16	GND	P	Ground
17	MIPI_2P	I	Positive MIPI data
18	MIPI_2N	I	Negative MIPI data
19	GND	P	Ground

20	MIPI_1P	I	Positive MIPI data
21	MIPI_1N	I	Negative MIPI data
22	GND	P	Ground
23	MIPI_CLKP	I	Positive MIPI clock
24	MIPI_CLKN	I	Negative MIPI clock
25	GND	P	Ground
26	MIPI_0P	I	Positive MIPI data
27	MIPI_0N	I	Negative MIPI data
28	GND	P	Ground
29	MIPI_3P	I	Positive MIPI data
30	MIPI_3N	I	Negative MIPI data
31	GND	P	Ground



## Pin Out – PCAP

Recommended mating connector Hirose FH34SRJ-8S-0.5SH (50).

Number	Symbol	I/O	Description
1	RST	I	Reset signal (1.8V)
2	VDD	p	Power Supply (3.3V)
3	INT	O	Interrupt out (1.8V)
4	SDA	I/O	Serial Data (1.8V)
5	SCL	I	Serial Clock (1.8V)
6	NC	-	NC
7	GND	P	Ground
8	GND	P	Ground

\*IO must be externally configured to run at 1.8V

## Absolute Max Ratings – LCD

Item	Symbol	Value	Unit
Power Supply Voltage for Logic	IOVCC	-0.3 – 3.6	V
Power for Analog Negative	VSN	0 ~ -6.6	V
Power for Analog Positive	VSP	-0.3 ~ +6.6	V
Operating Temperature	Topr	-20 to 70	°C
Storage Temperature	Tstg	-30 to 80	°C

## Absolute Max Ratings – PCAP

Item	Symbol	Value	Unit
Operating Voltage	VDD	2.7 – 3.6	V
I/O Supply Voltage	IOVDD	1.71 – 3.6	V

## Electrical Characteristics - LCD

Item	Symbol	Min	Typ	Max	Unit	Test Condition
Operating Voltage	IOVCC	1.65	1.8	3.3	V	-
Voltage for Analog Negative	VSN	-6.0	-5.5	-4.8	V	-
Voltage for Analog Positive	VSP	4.8	5.5	6.0	V	-
Supply Current	IDD(IOVCC)	-	7	-	mA	Ta = 25 °C
Supply Current	IDD(VSN)	-	10	-	mA	Ta = 25 °C
Supply Current	IDD(VSP)	-	37	-	mA	Ta = 25 °C
Input Voltage	Vih	0.7IOVCC	-	IOVCC	V	-
	Vil	0	-	0.3IOVCC	V	-
Input Leakage Current	IiL	-1.0	-	1.0	μA	Vin = IOVCC

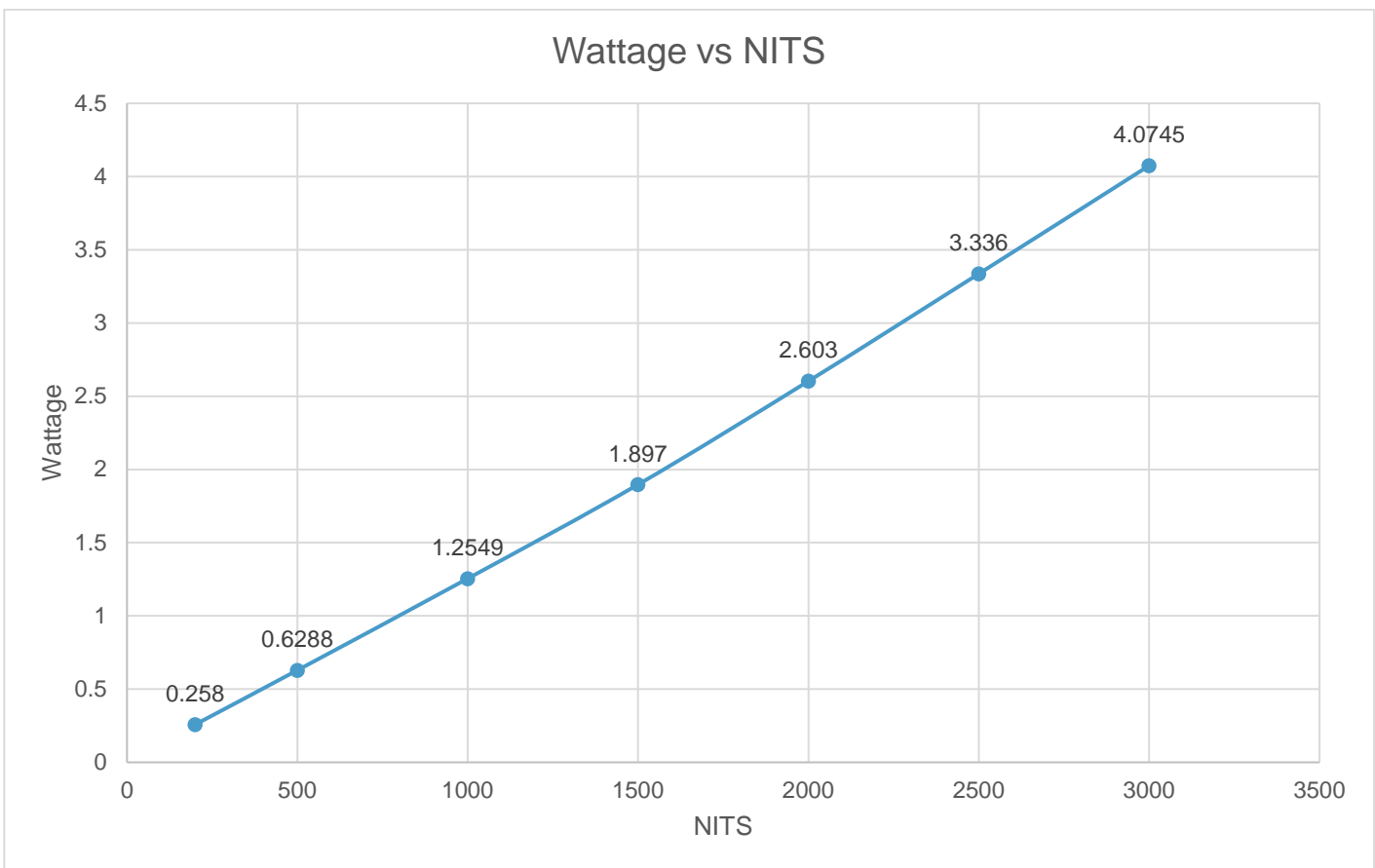
## Electrical Characteristics – PCAP

Item	Symbol	Min	Typ	Max	Unit	Test Condition
Operating Voltage	VDD	-	2.8	3.3	V	-
I/O Supply Voltage	IOVDD	-	1.8	-	V	
Supply Current (active)	IDD(VDD)	-	9.8	-	mA	Ta = 25 °C
Input Voltage	Vih	0.7*IOVDD	-	IOVDD	V	-
	Vil	-0.3	-	0.3*IOVDD	V	-
Output Voltage	Voh	0.7*IOVDD	-	-	V	-
	Vol	-	-	0.3*IOVDD	V	-
I/O Leakage Current	Ili	-1	-	1	μA	-

## Backlight Specifications

The backlight wiring is on the primary 31 pin connector.

Item	Symbol	Min	Typ	Max	Unit	Test Condition
Supply Voltage	Vf	28	30	31.5	V	
Supply Current	If	-	160	-	mA	3000 NITS
Backlight Color	White High Gamut					

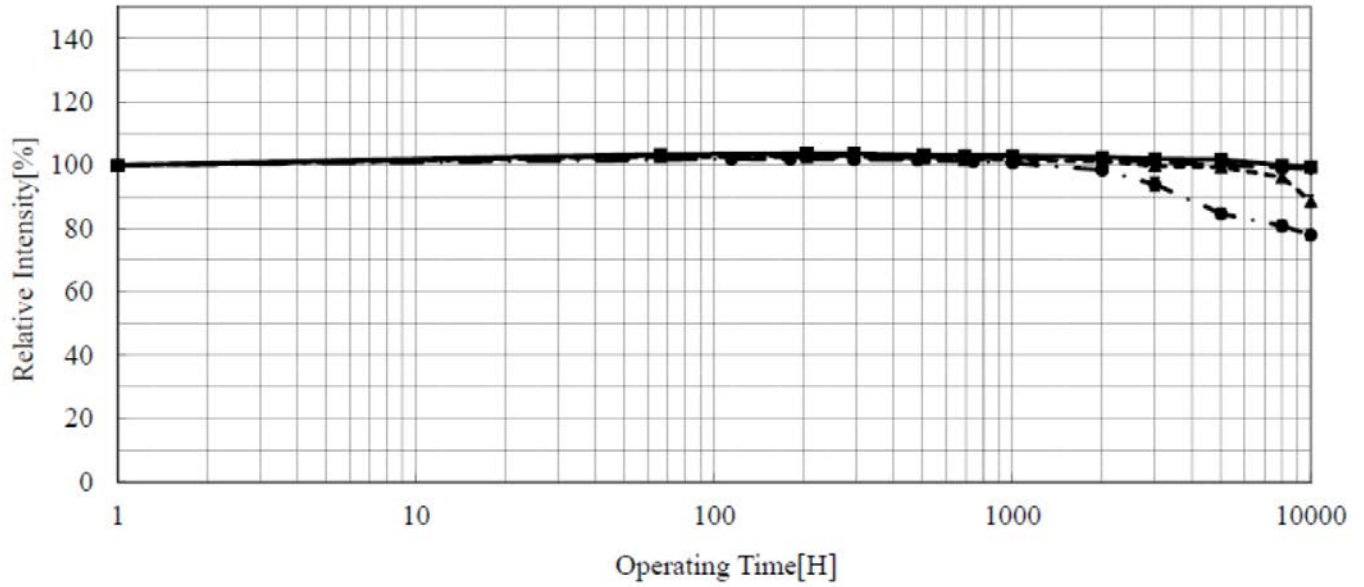


# LED Lifetime

## ROOM TEMPERATURE TEST

Ta = 25 deg C

- If= 10mA
- ◆ If= 15mA
- ▲ If= 20mA
- If= 30mA



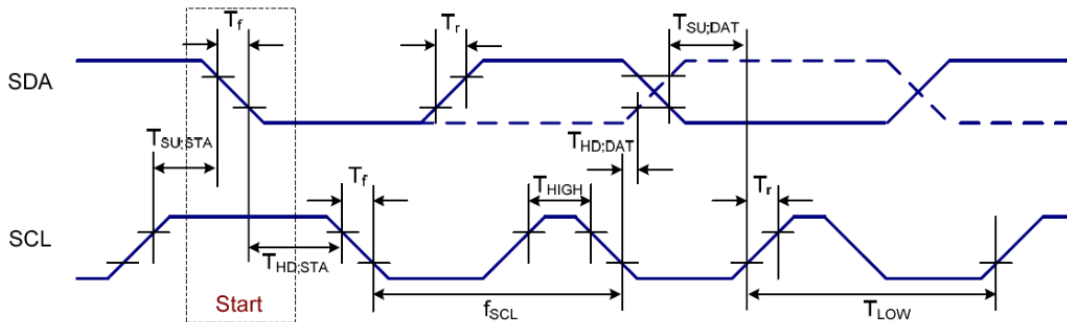
## Timing Specifications - LCD

Refer to HX8399-C datasheet

## Timing Specifications – PCAP

Refer to FT5446U datasheet.

Standardized timings provided for reference.



Symbol	Parameter	Min	Typ	Max	Unit
$f_{SCL}$	SCL clock frequency	50	100	400	kHz
$T_{LOW}$	SCL clock LOW period	1.3	-	-	us
$T_{HIGH}$	SCL clock HIGH period	0.6	-	-	us
$T_{SU:DATA}$	Data set-up time	100	-	-	ns
$T_{HD:DATA}$	Data hold time	0	-	0.9	us
$T_r$	SCL and SDA rise time	20	-	300	ns
$T_f$	SCL and SDA fall time	20	-	300	ns
$T_f$	SDA fall time for read out	20	-	1000	ns
$C_b$	Capacitive load represented by each bus line	-	-	400	pF

$T_{SU;STA}$	Setup time for a repeated START condition	0.6	-	-	us
$T_{HD;STA}$	START condition hold time	0.6	-	-	us
$T_{SU;STO}$	Setup time for STOP condition	0.6	-	-	us
$T_{SW}$	Tolerable spike width on bus	-	-	50	ns
$T_{BUF}$	BUS free time between a STOP and START condition	4.7	-	-	us

## MIPI Init

The MIPI initialization sequence consists of below commands. This initializes the LCD panel.

```
DCS_Long_Write_3P(0xB9,0xFF,0x83,0x99);
DCS_Short_Write_1P(0xD2,0x55);
DCS_Long_Write_FIFO(16,0xB1,0x02,0x04,0x70,0x90,0x01,0x32,0x33,0x11,0x11,0x4D,0x57,0x56,0x73,0x02,0x02);
DCS_Long_Write_FIFO(12,0xB2,0x00,0x80,0x80,0xAE,0x0A,0x0E,0x75,0x11,0x00,0x00,0x00);
DCS_Long_Write_FIFO(47,0xB4,0x00,0xFF,0x04,0xA4,0x02,0xA0,0x00,0x00,0x10,0x00,0x00,0x02,0x00,0x24,0x02,0x04,0x0A,0x21,
0x03,0x00,0x00,0x08,0xA6,0x88,0x04,0xA4,0x02,0xA0,0x00,0x00,0x10,0x00,0x00,0x02,0x00,0x24,0x02,0x04,0x0A,0x00,0x00,0x08,
0xA6,0x00,0x08,0x11);
DCS_Long_Write_FIFO(34,0xD3,0x00,0x00,0x00,0x00,0x00,0x18,0x18,0x32,0x10,0x09,0x00,0x09,0x32,0x10,0x00,0x00,0x00,
0x00,0x00,0x00,0x00,0x11,0x00,0x02,0x02,0x03,0x00,0x00,0x00,0x0A,0x40);
DCS_Long_Write_FIFO(33,0xD5,0x18,0x18,0x18,0x18,0x21,0x20,0x18,0x18,0x19,0x19,0x19,0x19,0x18,0x18,0x18,0x18,0x03,0x02,0
x01,0x00,0x2F,0x2F,0x30,0x30,0x31,0x31,0x18,0x18,0x18,0x18,0x18);
DCS_Long_Write_FIFO(33,0xD6,0x18,0x18,0x18,0x18,0x20,0x21,0x19,0x19,0x18,0x18,0x19,0x19,0x18,0x18,0x18,0x18,0x00,0x01,0
x02,0x03,0x2F,0x2F,0x30,0x30,0x31,0x31,0x18,0x18,0x18,0x18,0x18);
DCS_Long_Write_FIFO(9,0xD8,0x0A,0xBE,0xFA,0xA0,0x0A,0xBE,0xFA,0xA0);
DCS_Short_Write_1P(0xBD,0x01);
DCS_Long_Write_FIFO(9,0xD8,0x0F,0xFF,0xFF,0xE0,0x0F,0xFF,0xFF,0xE0);
DCS_Short_Write_1P(0xBD,0x02);
DCS_Long_Write_FIFO(9,0xD8,0x0F,0xFF,0xFF,0xE0,0x0F,0xFF,0xFF,0xE0);
DCS_Short_Write_1P(0xBD,0x00);
DCS_Long_Write_FIFO(55,0xE0,0x01,0x11,0x1C,0x17,0x39,0x43,0x54,0x51,0x5A,0x64,0x6C,0x74,0x7A,0x83,0x8D,0x92,0x99,0xA4,
0xA9,0xB4,0xAA,0xBA,0xBE,0x63,0x5E,0x69,0x73,0x01,0x11,0x1C,0x17,0x39,0x43,0x54,0x51,0x5A,0x64,0x6C,0x74,0x7A,0x83,0x8
D,0x92,0x99,0xA4,0xA7,0xB2,0xA9,0xBA,0xBE,0x63,0x5E,0x69,0x73);
Delay (200);
DCS_Long_Write_2P(0xB6,0x92,0x92);
DCS_Short_Write_1P(0xCC,0x00);
DCS_Long_Write_4P(0xBF,0x40,0x41,0x50,0x49);
DCS_Long_Write_2P(0xC6,0xFF,0xF9);
DCS_Long_Write_2P(0xC0,0x25,0x5A);
DCS_Short_Write_1P(0x36,0x02);//μ ÷ ÊÔ¾¼μĩñ
DCS_Short_Write_NP(0x11);
```



Delay (200);

DCS\_Short\_Write\_NP(0x29);

Delay (400);

## EDID Parameters

The image shows a software interface titled "Block 1" with a dropdown menu set to "Preferred Timing Block". Below this, there are two columns of input fields for EDID parameters. The left column includes Pixel Clock (154.00), H. Active Pixels (1080), H. Blank (204), H. Front Porch (20), H. Sync Width (6), H. Image Size (708), H. Border (0), and H. Clock (119.94 kHz). The right column includes an "Interlaced" checkbox (unchecked), V. Active Lines (1920), V. Blank (79), V. Front Porch (4), V. Sync Width (4), V. Image Size (398), V. Border (0), and V. Clock (60.00 Hz). At the bottom, there is a button labeled "CVT 1.2 Wizard".

Parameter	Value
Pixel Clock	154.00
H. Active Pixels	1080
H. Blank	204
H. Front Porch	20
H. Sync Width	6
H. Image Size	708
H. Border	0
H. Clock	119.94 kHz
Interlaced	<input type="checkbox"/>
V. Active Lines	1920
V. Blank	79
V. Front Porch	4
V. Sync Width	4
V. Image Size	398
V. Border	0
V. Clock	60.00 Hz

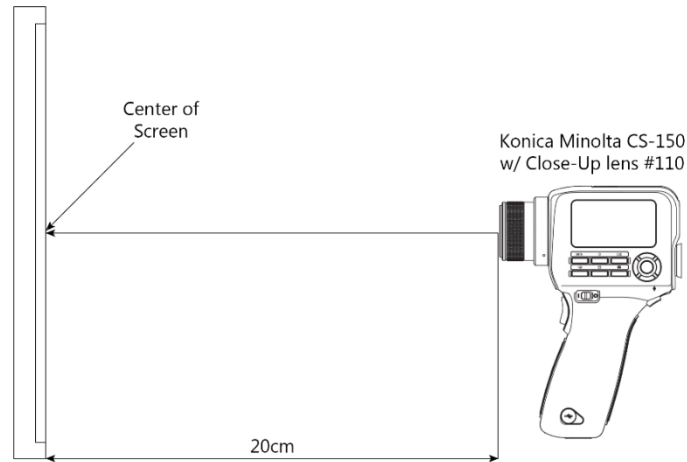
## Optical Characteristics

All measurements taken after minimum runtime of 25 minutes.

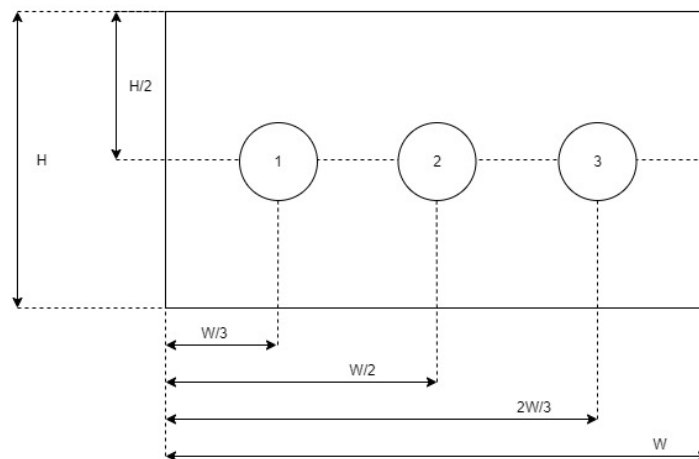
Item	Symbol	Conditions	Specification			Unit	Note	
			Min	Typ	Max			
Response Time	Tr Tf	Ta = 25°C	-	25	-	ms	(1)(4)	
Contrast Ratio	CR	Normal Viewing Angle	1000	1200	-	-	(1)(3)(5)	
Viewing Angle	Hor.	X-	CR>10	70	80	-	Deg	(3)(5)
		X+		70	80	-	Deg	
	Ver.	Y+		70	80	-	Deg	
		Y-		70	80	-	Deg	
Chromaticity	Red	RX	Ta = 25 °C	-	.6746	-	-	
		Ry		-	.3120	-	-	
	Green	GX		-	.2642	-	-	
		Gy		-	.7000	-	-	
	Blue	BX		-	.1474	-	-	
		By		-	.0850	-	-	
	White	WX		-	.3114	-	-	
		Wy		-	.3586	-	-	
Luminance	L	Ta = 25 °C	2600	3000	3200	cd/m2	(1)	
Color Gamut Ratio REC709			-	132	-	%		
Color Gamut Coverage REC709			-	97	-	%		
Color Gamut Ratio DCI-P3			-	98	-	%		
Color Gamut Coverage DCI-P3			-	95	-	%		
Uniformity	U		75	80	-	%	(2)	

**Note 1: Measurement setup**

The LCD module should be stabilized at a given temperature for 25 minutes to avoid abrupt temperature change during measurement. After temperature saturation measurement should be executed.

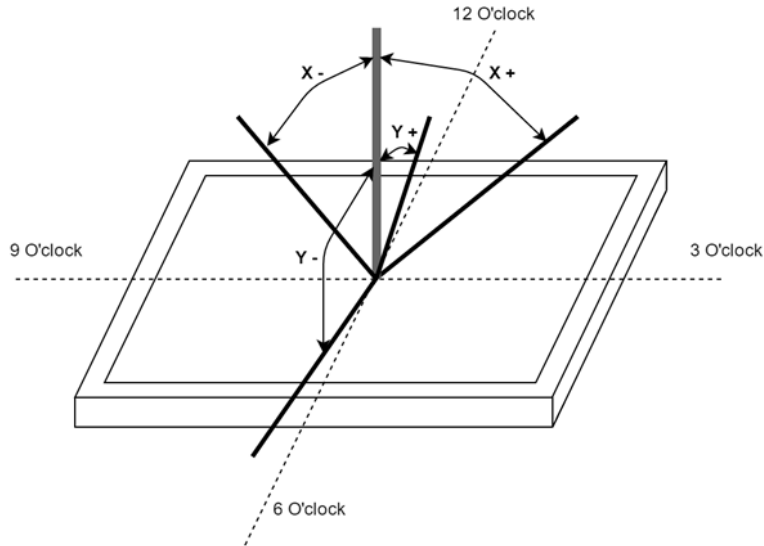
**Note 2: Brightness Uniformity**

Brightness uniformity = (Minimum Luminance of 3 points / Max Luminance of 3 points) \* 100



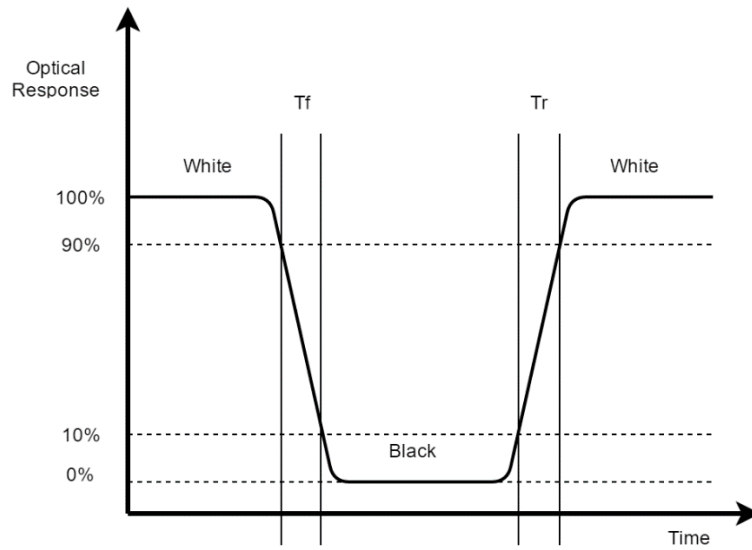
**Note 3: Viewing Angle**

Definition of viewing angle for Y+/- and X+/- is as follows.



**Note 4: Response Time**

Definition of response time as follows below.



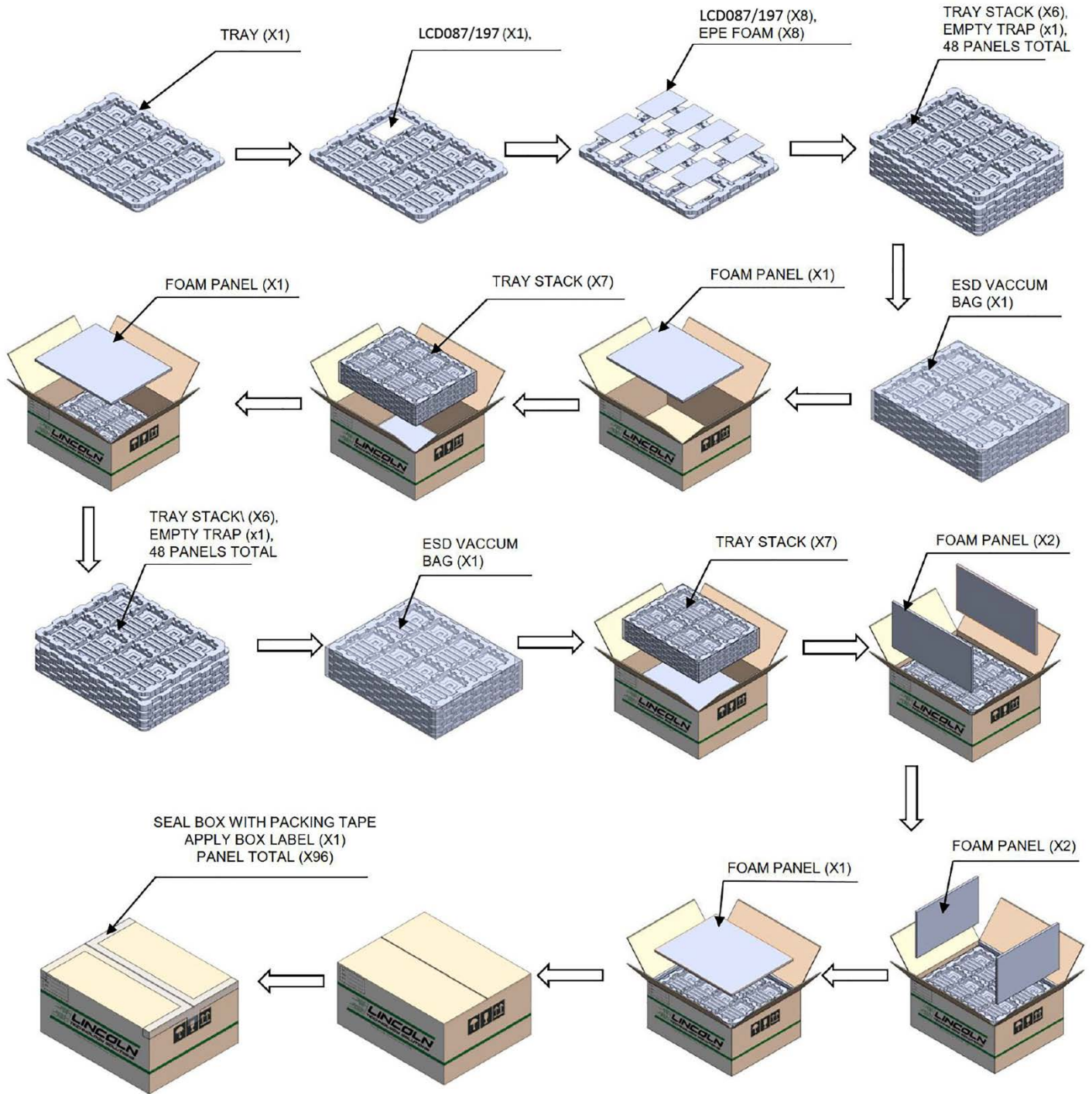
**Note 5: Contrast Ratio**

Definition of Contrast Ratio is as follows.

Contrast measurements shall be made at a viewing angle of 0° at the center of the surface.

$$CR = \frac{\text{Luminance when displaying White}}{\text{Luminance when displaying Black}}$$

# Packaging - Production

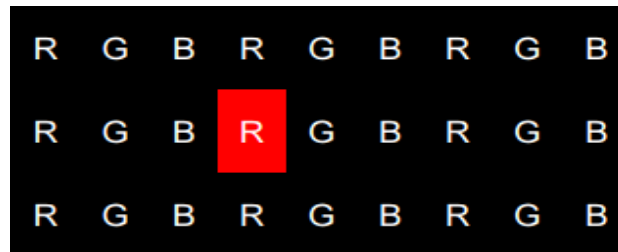
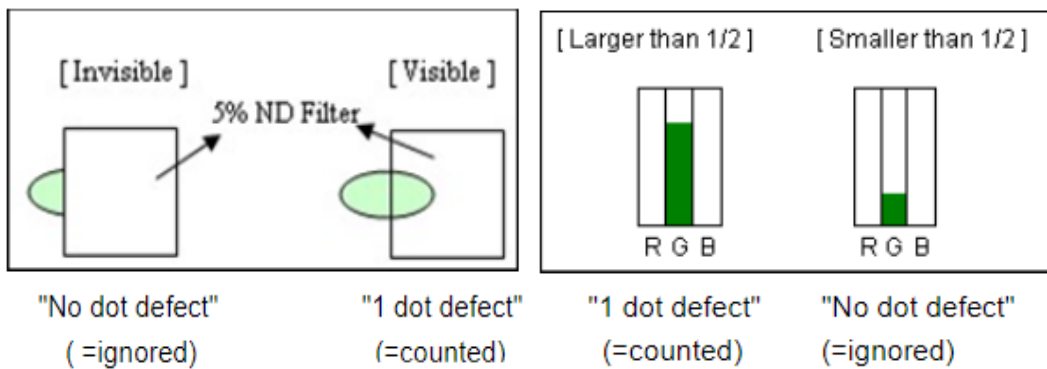


## Quality & Inspection Criteria

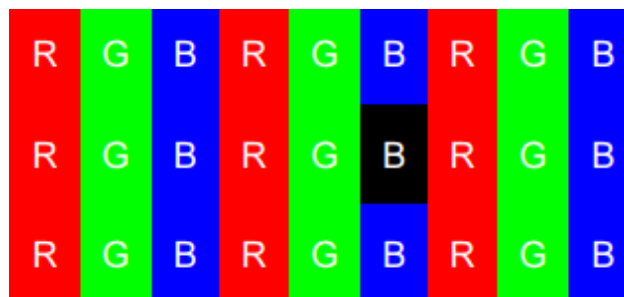
### Terminologies:

**LCD:** Liquid Crystal Display; Each pixel contains three dots of R, G, and B (sub-pixel).

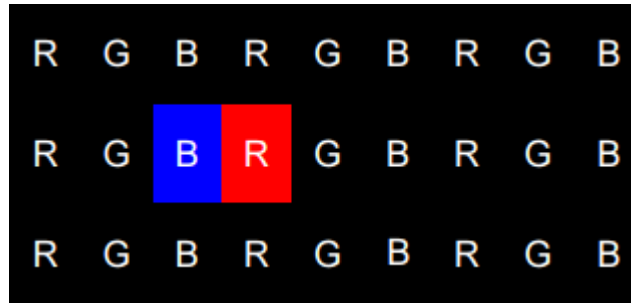
**Bright Dot:** 1 sub-pixel is a dot. Defects should be larger than 1/2 of a sub-pixel. Dots that are not visible through a 5% ND Filter or smaller than 1/2 of sub-pixel size will not be counted as a dot defect.



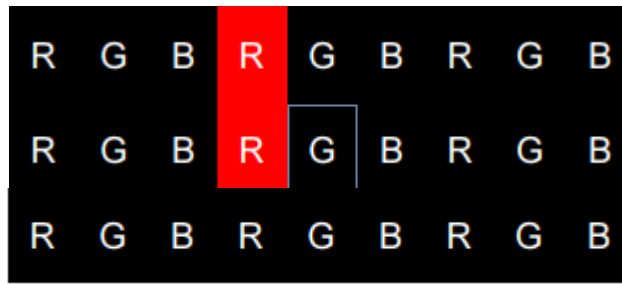
**Dark Dot:** Any single sub-pixel that does not light up in a white screen or another non-black screen is called a dark dot.



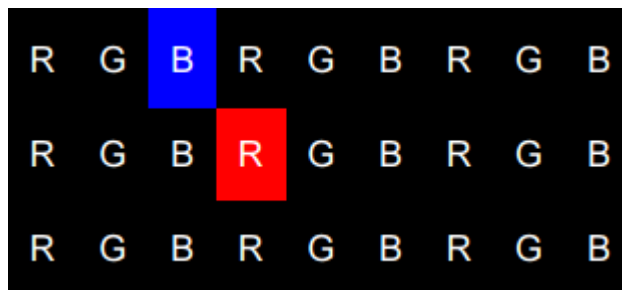
**Two adjacent dots (horizontal direction):** Use the bright dot illustration as an example to demonstrate two horizontal consecutive dots.



**Two adjacent dots (vertical direction):** Use the bright spot illustration as an example to demonstrate two vertical consecutive dots.

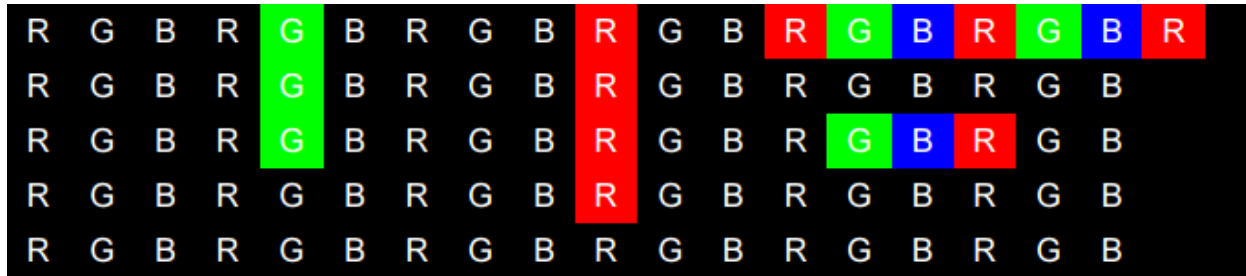


**Two adjacent dots (bevel direction):** Use the bright spot illustration as an example to demonstrate two consecutive dots in the bevel direction.

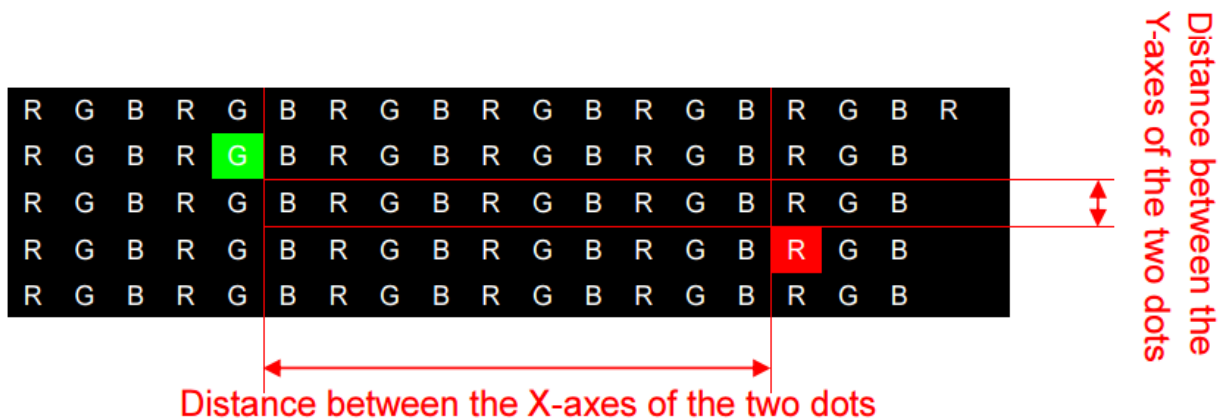




**Three or more adjacent dots (horizontal):** Use the bright spot illustration as an example to demonstrate three or more consecutive horizontal and vertical dots.



**Illustration of spacing between two dots:** (Distance is the relative distance between the X-axes of the two dots or the relative distance between the Y-axes of the two dots, whichever is larger)



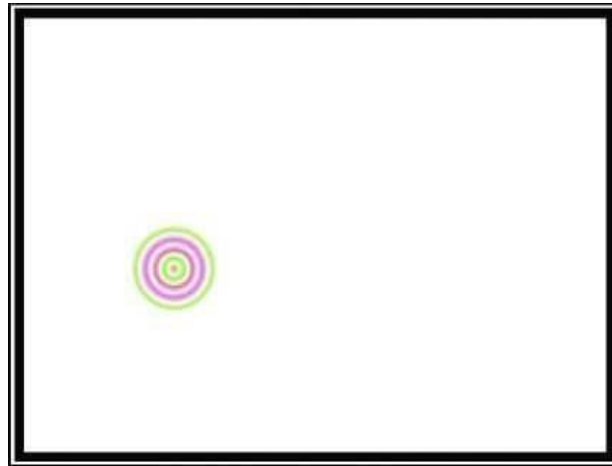
**Functional Test**

The LCD display testing program should display the following screens in order: all red, all green, all blue, all white, all gray, all black.

**Inspection Requirements**

After booting the system (single illumination), there are no non-display, unlit backlight, dark backlight, blinking, or other abnormal signs, and there are no bright lines, dark lines, or bright rims/leakage of light close to the LCD bezel.

### Newton's Ring



Under high temperature and high humidity conditions, uneven deformations caused by heat in different layers of the LCD module will result in the display of an all-white screen. However, this condition can be recovered when temperature is resumed under normal circumstances. A specific determination can be conducted according to the operating conditions and storage conditions defined in the product's technical specifications. Any exception will be negotiated and mutually agreed by both parties. (Ripples are not permitted at fixed locations. For ripples at non-fixed locations, they are OK if they disappear within two seconds.)

### LCD blaze

Uneven internal LCD installation, surface deformation of the LCD polarizer, internal structural interference of the LCD module, damaged LCD backlight plates, and other factors may cause partial fading of color on the LCD display. When observed from a certain incident angle (upper 10°, lower 3°, 40° on both sides), they will appear as white cicatrices, typically about the size of a grain of rice. In serious cases, they accumulate in large patches or stripes, appear in different degrees under various colors (red, blue, green, black, gray, white), and are especially obvious under an all-gray screen. Blazes with diameters  $\geq 0.5\text{mm}$  are not allowed: for those with diameters under 0.5 mm, 2 are acceptable if the space between them is  $\geq 15\text{mm}$ . Card chromatic aberration ratio versus ND Filter:  $1.0 + 0.3$  standard = 5% ND Filer (see definition of Mura).

## Mura

Mura refers to the unevenness and irregularity that is visible in the image. It is difficult for visual inspection to recognize the non-uniform brightness or mura. Mura detection is subjective and therefore doesn't have pass/fail criteria. There are several precautions to take which can avoid mura. Avoid high ambient temperatures around the module, frame warpage and high temperature operation over long periods of time. Utilize screen savers to avoid mura.

## Inspection Conditions

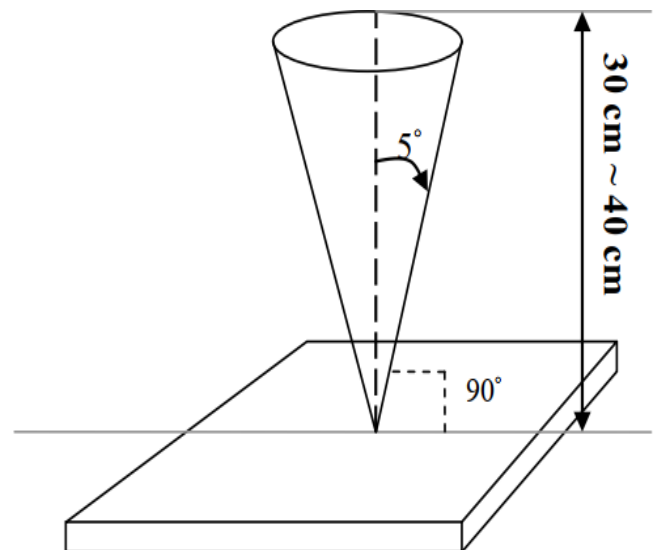
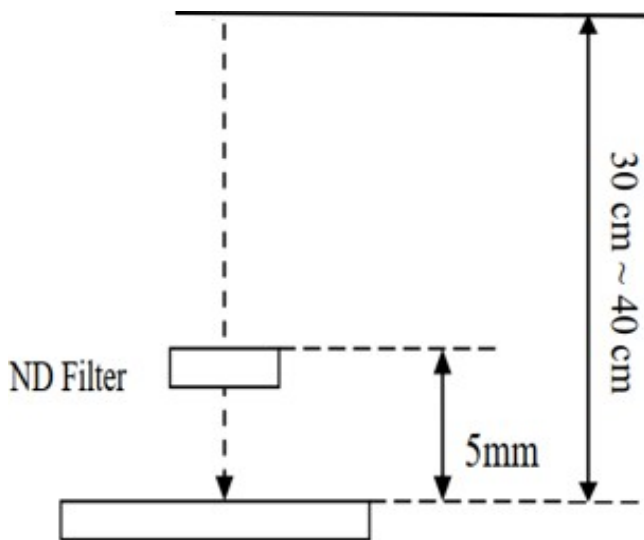
Inspection distance should be  $35\text{cm} \pm 5\text{cm}$  with a FujiFilm ND-LCD 5% filter approximately 5cm from the backlight surface.

Viewing angle:  $90^\circ \pm 5^\circ$ .

Room temperature:  $23 \pm 2^\circ\text{C}$

Humidity:  $60 \pm 10\%$

Inspection Ambient Illumination: 300-700 LUX



## Acceptance Criteria Table:

There should be no corrosion or cracking, or an uneven coating layer on LCD display surface, and there should be no sign of coagulation, flaking, cracking, or wear. The definition of minor defects and acceptance criteria are shown in the following table:

Item	Size	Unit	Acceptance qty.
Unfelt scratch visible with backlight off.	$W < 0.05$	mm	Ignore
	$W > .05$ and $< .10$ $L > .3$ and $< 3.0$	mm	4
	$W > .10$ or $L > 3.0$	mm	none
	Visible with backlight on		none
Felt scratch	None allowed		
Dent visible with backlight off	$D < .2$	mm	Ignore
	$D > .2$ and $< .5$	mm	5
	Spacing between defects must be $> 30\text{mm}$		
	$D > .5$	mm	none
	Visible with backlight on		none
Bubble visible with backlight off	$D < .2$	mm	Ignore
	$D > .2$ and $< .5$	mm	5
	$D > .5$	mm	none
	Visible with backlight on		none
	$W < .05$		Ignore

Item	Size	Unit	Acceptance qty.
Foreign material (line shape) visible with backlight on		mm	
	W > .05 and < .10 L > .3 and < 2.0	mm	4
	W > .10 or L > 2.0	mm	none
Foreign material (dot shape) visible with backlight on	D < .2	mm	Ignore
	D > .2 and < .5	mm	5
	D > .5	mm	none
Bright dot defect(lit)	1 dot	-	4
	2 adjacent dots	-	0
Dark dot defect (not lit)	1 dot	-	5
	2 adjacent dots	-	2
	3 adjacent dots	-	0

## Appendix 1: Drawings

8

7

6

5

4

3

2

1

D

C

B

A

D

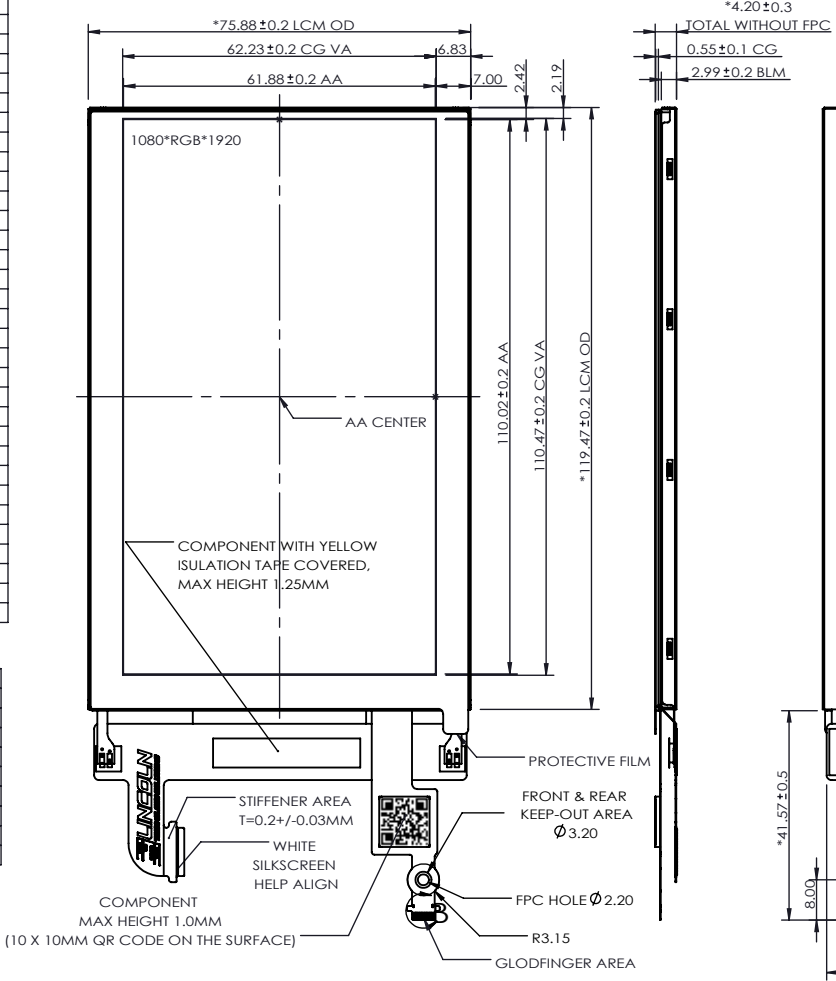
C

B

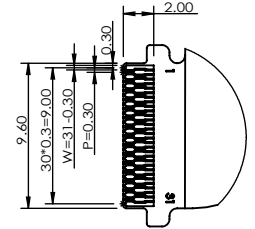
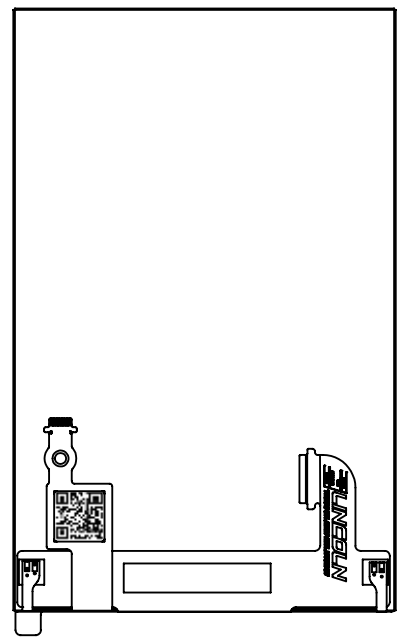
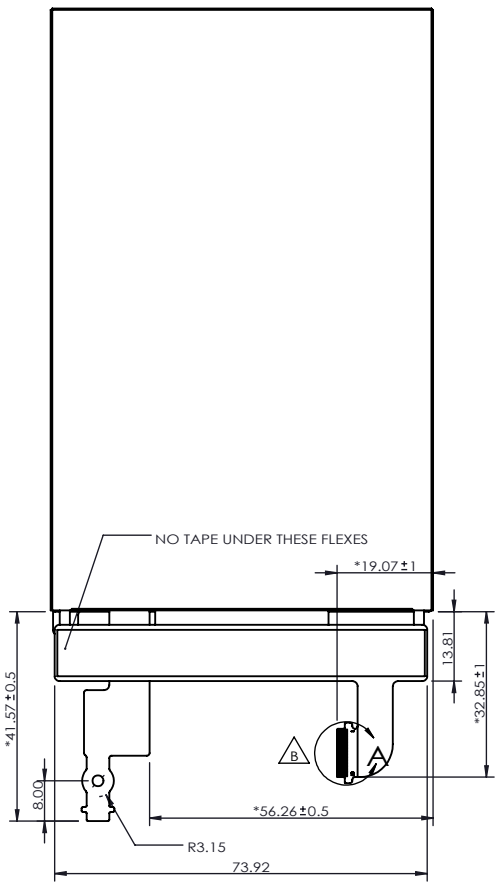
A

LCD-FPC:	
PIN	NAME
1	LEDA1
2	LEDA2
3	LEDK1
4	LEDK2
5	NC
6	GND
7	TE
8	NC
9	IOVCC
10	AVDD
11	AVEE
12	LEDPWM
13	RESET
14	GND (LCD_ID0)
15	IOVCC (LCD_ID1)
16	GND
17	DSL_D2+
18	DSL_D2-
19	GND
20	DSL_D1+
21	DSL_D1-
22	GND
23	DSL_CLK+
24	DSL_CLK-
25	GND
26	DSL_DO+
27	DSL_DO-
28	GND
29	DSL_D3+
30	DSL_D3-
31	GND

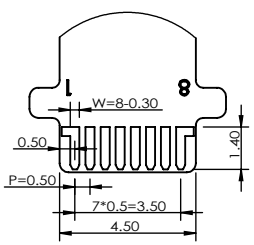
CTP-FPC:	
NO.	ASSIGNMENT
1	RST 1.8V
2	VDD 3.3V
3	INT 1.8V
4	SDA 1.8V
5	SCL 1.8V
6	NC
7	GND
8	GND



REVISIONS				
ZONE	REV	DESCRIPTION	DATE	APPROVED
	A	INITIAL ISSUE	2022/1/12	QIN
B3	B	UNFOLD THE FLEX	2022/4/13	QIN



DETAILED VIEW A  
SCALE 2 : 1



DETAILED VIEW B  
SCALE 4 : 1

- Note:
1. DISPLAY TYPE: 5", TFT LCD,Ultrabright solution
  2. Viewing Angle: All o'clock
  3. Back Light: 40 Chip White LED
  4. LUMINANCE(Center): 3000cd/m2(TYP), If=80mA\*2, Vf=30 V, Uniformity: 80%(MIN)
  5. LCM Chromaticity(White): X=0.31+/-0.03; Y=0.33 +/-0.03
  6. Operating temp: -20°~+70°; Storage temp: -30°~+80°
  7. All the raw material are RoHS compliant
  8. Dimensions with mark "\*" are important, with mark "()" are reference

SCALE: 1:1.5 SHEET 1 OF 1  
DO NOT SCALE DRAWING

DRAWN BY: JY DATE: 2022/4/14  
 CHECKED BY: QIN DATE: 2022/4/14  
 MATERIAL: N/A  
 FINISH: N/A  
 COMMENTS: ALL DIMENSIONS ARE IN MILLIMETRES.GENERAL TOLERANCES ARE ± 0.3MM.



DESCRIPTION  
5" Ultrabright HG LED w/PCAP - generic

PART NO. LCD197-050CTL1ARNTR1.0 REV. B

THE INFORMATION CONTAINED IN THIS DRAWING IS THE SOLE PROPERTY OF LINCOLN TECHNOLOGY SOLUTIONS (LTS) AND SHALL NOT BE REDISTRIBUTED. ANY REPRODUCTION IN PART OR AS A WHOLE WITHOUT THE WRITTEN PERMISSION OF LTS IS PROHIBITED.

8

7

6

5

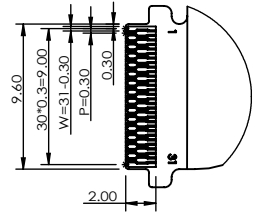
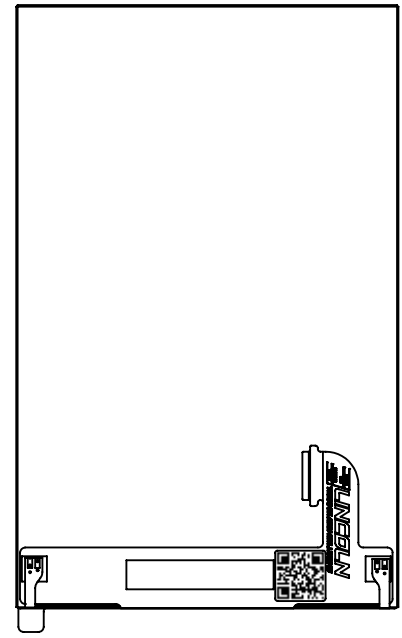
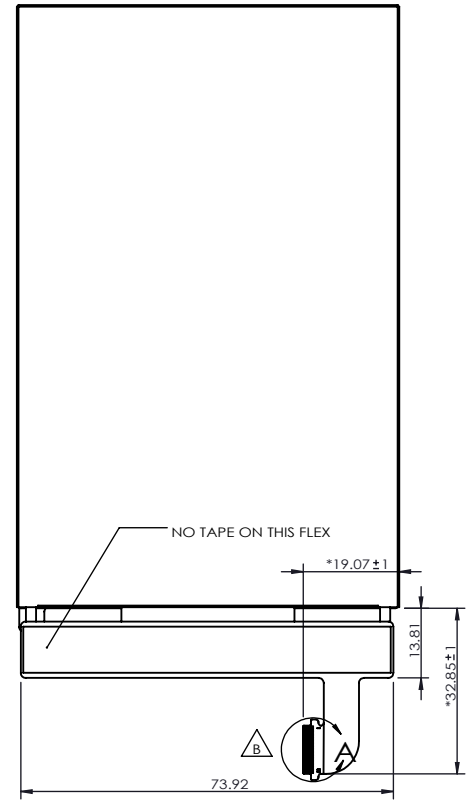
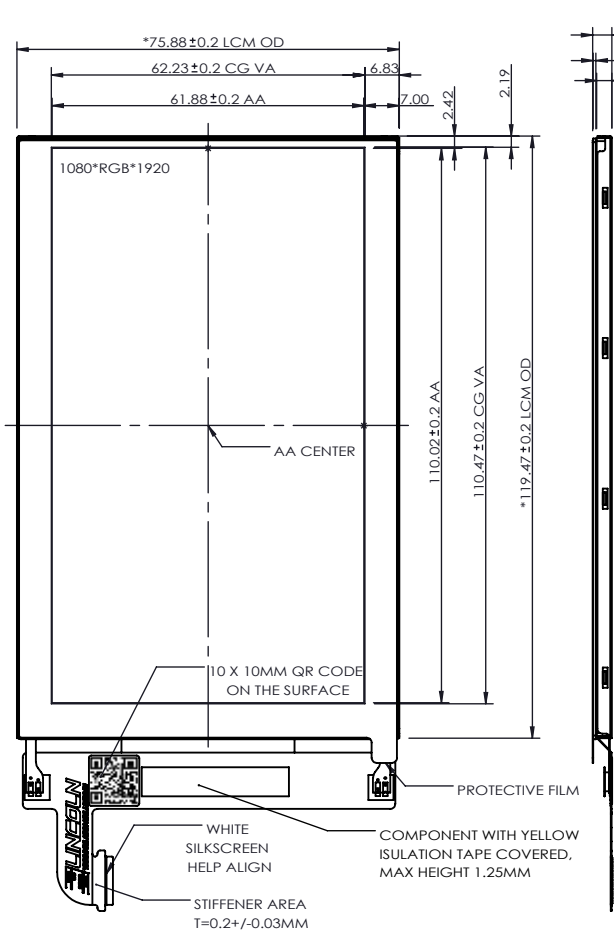
4

3

2

1

LCD-FPC:	
PIN	NAME
1	LEDA1
2	LEDA2
3	LEDK1
4	LEDK2
5	NC
6	GND
7	TE
8	NC
9	IOVCC
10	AVDD
11	AVEE
12	LEDPWM
13	RESET
14	GND (LCD_ID0)
15	IOVCC (LCD_ID1)
16	GND
17	DSI_D2+
18	DSI_D2-
19	GND
20	DSI_D1+
21	DSI_D1-
22	GND
23	DSI_CLK+
24	DSI_CLK-
25	GND
26	DSI_DO+
27	DSI_DO-
28	GND
29	DSI_D3+
30	DSI_D3-
31	GND



- Note:
1. DISPLAY TYPE: 5", TFT LCD, Ultrabright solution
  2. Viewing Angle: All o'clock
  3. Back Light: 40 Chip White LED
  4. LUMINANCE(Center): 3000cd/m2(TYP), If=80mA\*2, Vf=30 V, Uniformity: 80%(MIN)
  5. LCM Chromaticity(White): X=0.31+/-0.03; Y=0.33+/-0.03
  6. Operating temp: -20°~+70°; Storage temp: -30°~+80°
  7. All the raw material are RoHS compliant
  8. Dimensions with mark "\*" are important, with mark "()" are reference

DETAILED VIEW A  
SCALE 2 : 1

SCALE: 1:1.5 SHEET 1 OF 1  
DO NOT SCALE DRAWING

REVISIONS				
ZONE	REV	DESCRIPTION	DATE	APPROVED
	A	INITIAL ISSUE	2022/1/22	QIN
B4	B	UNFOLD THE FLEX	2022/4/14	QIN

DRAWN BY: JY	DATE 2022/4/14
CHECKED BY: QIN	DATE 2022/4/14
MATERIAL: N/A	
FINISH: N/A	
COMMENTS: ALL DIMENSIONS ARE IN MILLIMETRES.GENERAL TOLERANCES ARE ± 0.3MM.	



DESCRIPTION  
5" Ultrabright HG LED w/CG & AR

PART NO. LCD197-050NTL1ARNTR1.0 REV. B

THE INFORMATION CONTAINED IN THIS DRAWING IS THE SOLE PROPERTY OF LINCOLN TECHNOLOGY SOLUTIONS (LTS) AND SHALL NOT BE REDISTRIBUTED. ANY REPRODUCTION IN PART OR AS A WHOLE WITHOUT THE WRITTEN PERMISSION OF LTS IS PROHIBITED.



8

7

6

5

4

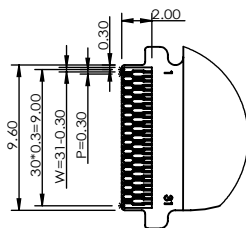
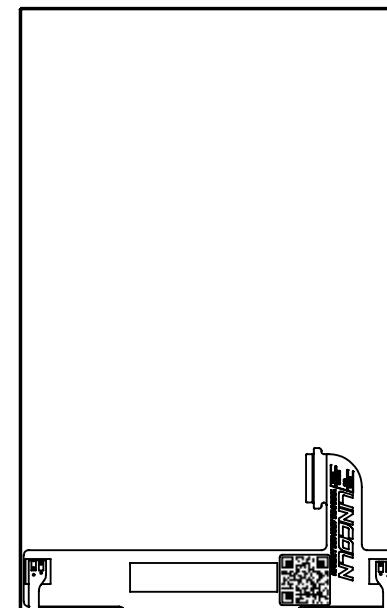
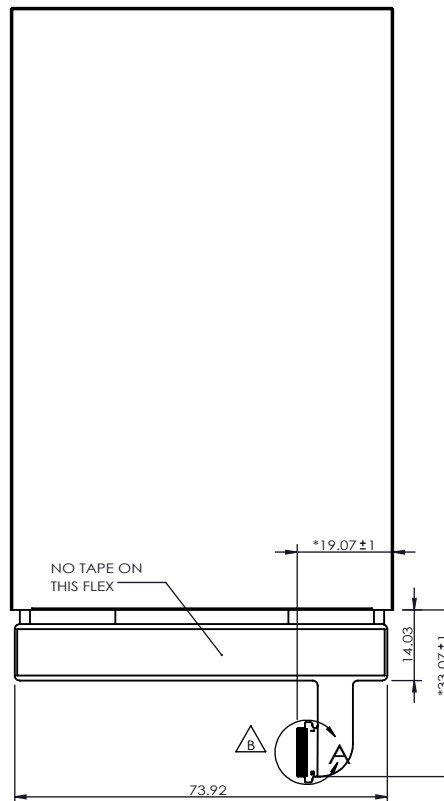
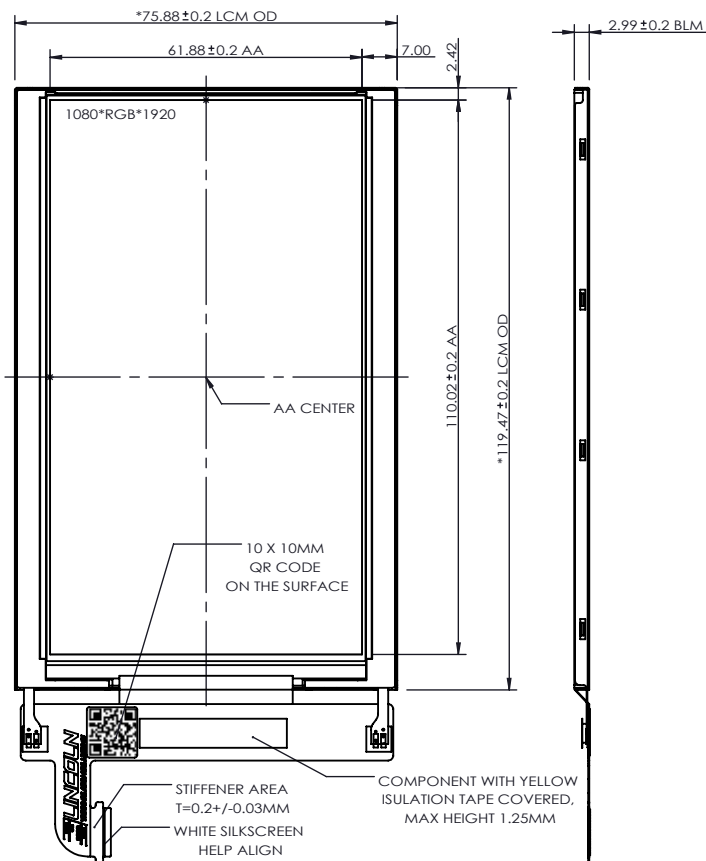
3

2

1

LCD-FPC:	
PIN	NAME
1	LEDA1
2	LEDA2
3	LEDK1
4	LEDK2
5	NC
6	GND
7	TE
8	NC
9	IOVCC
10	AVDD
11	AVEE
12	LEDPWM
13	RESET
14	GND (LCD_ID0)
15	IOVCC (LCD_ID1)
16	GND
17	DSL_D2+
18	DSL_D2-
19	GND
20	DSL_D1+
21	DSL_D1-
22	GND
23	DSL_CLK+
24	DSL_CLK-
25	GND
26	DSL_DO+
27	DSL_DO-
28	GND
29	DSL_D3+
30	DSL_D3-
31	GND

REVISIONS				
ZONE	REV	DESCRIPTION	DATE	APPROVED
	A	INITIAL ISSUE	2022/1/12	QIN
B3	B	UUFOLD THE FLEX	2022/4/13	QIN



DETAILED VIEW A  
SCALE 2 : 1

Note:

1. DISPLAY TYPE: 5", TFT LCD,Ultrabright solution
2. Viewing Angle: All o'clock
3. Back Light: 40 Chip White LED
4. LUMINANCE(Center): 3000cd/m2(TYP),  
If=80mA\*2, Vf=30 V, Uniformity: 80%(MIN)
5. LCM Chromaticity(White): X=0.31+/-0.03; Y=0.33+/-0.03
6. Operating temp: -20°~+70°; Storage temp: -30°~+80°
7. All the raw material are RoHS compliant
8. Dimensions with mark "\*" are important,  
with mark "()" are reference

SCALE: 1:1.5	SHEET 1 OF 1
DO NOT SCALE DRAWING	

DRAWN BY: JY	DATE 2022/4/14
CHECKED BY: QIN	DATE 2022/4/14
MATERIAL: N/A	
FINISH: N/A	
COMMENTS: ALL DIMENSIONS ARE IN MILLIMETRES.GENERAL TOLERANCES ARE ± 0.3MM.	



DESCRIPTION  
5" Ultrabright HG LED w/o PCAP - generic

PART NO. LCD197-050NTLONCNTR1.0	REV. B
------------------------------------	-----------

THE INFORMATION CONTAINED IN THIS DRAWING IS THE SOLE PROPERTY OF LINCOLN TECHNOLOGY SOLUTIONS (LTS) AND SHALL NOT BE REDISTRIBUTED. ANY REPRODUCTION IN PART OR AS A WHOLE WITHOUT THE WRITTEN PERMISSION OF LTS IS PROHIBITED.

8

7

6

5

4

3

2

1